

# SKSPH3602S

## 36" PRO-STYLE

### WALL HOOD



#### WI-FI ENABLED FOR SMART CONTROL

The innovative Wi-Fi feature, powered by ThinQ® Technology, brings modern convenience to the kitchen. Monitor and control air movement, operate LED lights, and turn the hood on and off from a mobile device using the ThinQ® app. When combined with a Signature Kitchen Suite Range, ThinQ® Technology lets the range and hood communicate with each other so the burners and fans are synchronized.

#### PROFESSIONAL-STYLE BAFFLE FILTERS

Professional-style baffle filters enhance the cooking experience by capturing grease and smoke particles more efficiently than traditional mesh filters, without affecting airflow. The baffle filters are dishwasher-safe for easy cleaning.

#### LED LIGHTING

Dual-level LED lighting illuminates the cooking surface with a brilliant glow. The LED lights are energy-efficient and have a long life.

#### VMAX™ TECHNOLOGY (VARIABLE MAXIMUM CFM)

The hood provides a wide range of maximum CFMs from 290 through 650 CFM to meet local requirements, without having to compromise power or design.

#### Innovation

Wi-Fi Enabled for ThinQ® Control with iPhone / Android App	Yes
Remote Operations	Yes

#### Performance Features

Internal Blower (Included)	200-650 CFM, 1-6 Sones
Speed Levels	5
VMAX™ Technology*	Yes
Variable Max. CFM Set at 390	200-390 CFM, 1-4 Sones, 3 Speeds
Variable Max. CFM Set at 290	200-290 CFM, 1-3 Sones, 2 Speeds
Electronic Touch Controls	Yes
Auto Delay-Off	Yes
CleanAir Function	Yes
Dual-Level Lighting	Yes
Lighting Type	LED
Dishwasher Safe Filters	3 Pro Baffle

#### Technical Specs

Mounting Height Above 36" High Cooktop / Range	26" - 36"
Discharge Direction	Vertical or Horizontal
Vertical Discharge	8" Round
Horizontal Discharger**	3-1/4" x 10" or 8" Round
Required Power Supply	120V, 60Hz, Max. 4 Amp

\*The Variable Maximum CFM feature can limit the maximum blower CFM to meet local code requirements.

\*\*If horizontally ducting via 3-1/4" x 10", the maximum airflow of 650 CFM will be reduced to 550 CFM.

# SKSPH3602S

## 36" PRO-STYLE

### WALL HOOD

#### Dimensions and Weight

Overall Width (inches)	36"
Overall Height (inches)	18"
Overall Depth (inches)	24"
Net Weight (approx.)	60 lbs.
Shipping Weight (approx.)	77.6 lbs.

#### Optional Accessories

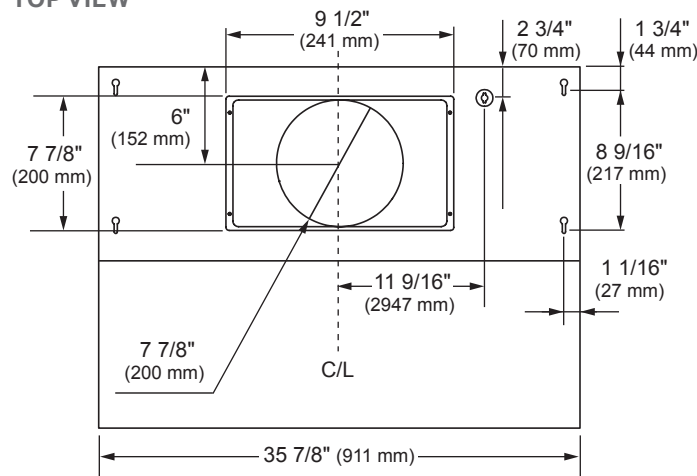
12" Duct Cover	SKSDC360S
----------------	-----------

#### Warranty Summary\*

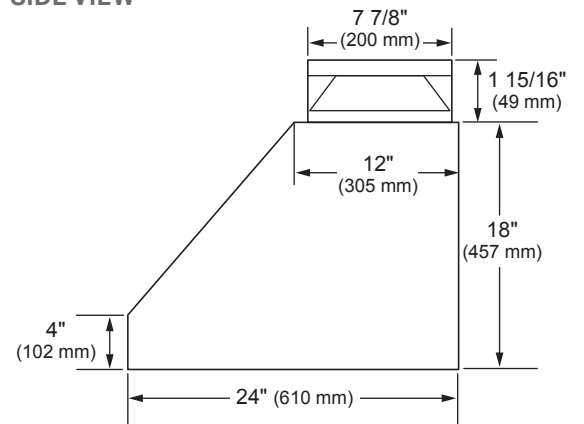
Full Warranty, Parts & Labor	3 Years
------------------------------	---------

#### OVERALL PRODUCT DIMENSIONS

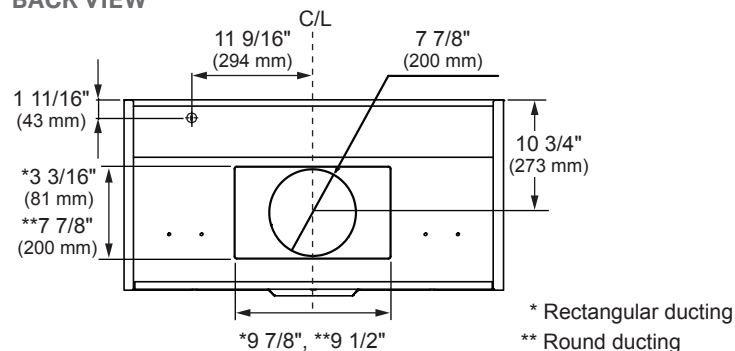
TOP VIEW



SIDE VIEW



BACK VIEW



\*These warranties give you specific legal rights and you may have other rights that vary from state to state. For complete warranty details, refer to your Use & Care manual.