



## INSTALLATION MANUAL

# BUILT-IN REFRIGERATOR

Read this installation manual thoroughly before installing the appliance and keep it handy for reference at all times.

**ENGLISH**

SKSFD4826SP



MFL67410842  
Rev.00\_061424

[www.signaturekitchensuite.com](http://www.signaturekitchensuite.com)

Copyright © 2024 Signature Kitchen Suite. All Rights Reserved.

# TABLE OF CONTENTS

## 3 IMPORTANT SAFETY INSTRUCTIONS

---

### 3 READ ALL INSTRUCTIONS BEFORE USE

3 Safety Messages

### 3 WARNING

3 Installation

4 Electrical Connection

### 4 CAUTION

5 General

## 6 BEFORE INSTALLATION

---

### 6 Choosing the Install Location

6 Temperature and Humidity

6 Anti-tip Devices

6 Enclosure

6 Floor

6 Electrical Requirements

7 Grounding

7 Water Connection

### 7 Dimensions and Clearances

7 Cutout Dimensions

8 Installation Clearances

9 Stainless Panel Dimensions

9 Accessories for Flush or Proud Installation

### 10 Required Accessories and Tools

10 Accessories

10 Tools

## 12 INSTALLATION

---

### 12 Preparing for Installation

12 Unpacking

13 Product Dimensions

### 14 Moving Appliance into Enclosure

14 Installing the Anti-tip Brackets

16 Protecting Edges of Enclosure

16 Installing Appliance in Enclosure

### 18 Connecting Refrigerator to Water Supply

18 Before Beginning

19 Connecting Water Line to Refrigerator

### 20 Leveling and Securing the Appliance

20 Aligning and Leveling the Appliance

23 Attaching Appliance to Enclosure

25 Attaching the Toe Kick Panel

25 Loading the Appliance Door

### 27 Panels and Trim

27 Adjusting Door Panels

30 Installing Door Trim

31 Attaching the Badge

## 33 SPECIAL INSTALLATIONS

---

### 33 Accessories

33 Frame Kit Accessory

### 33 Adjusting Door

33 Adjusting the Door Spring

34 Adjusting the Door Stop

### 35 Water Filter

35 Water Filter Bypass

### 35 Side by Side Installation

35 Flush Installation

# IMPORTANT SAFETY INSTRUCTIONS

## READ ALL INSTRUCTIONS BEFORE USE

### Safety Messages

**Your safety and the safety of others are very important.**

We have provided many important safety messages in this manual and on your appliance. Always read and follow all safety messages.



This is the safety alert symbol.

This symbol alerts you to potential hazards that can kill or injure you and others. All safety messages will follow the safety alert symbol and either the word **WARNING** or **CAUTION**.

These words mean:



#### **WARNING**

You may be killed or seriously injured if you do not follow instructions.



#### **CAUTION**

You may be injured or cause damage to the product if you do not follow instructions.

All safety messages will tell you what the potential hazard is, tell you how to reduce the chance of injury, and tell you what may happen if the instructions are not followed.

## WARNING

- **TIP-OVER HAZARD**
  - The appliance is very heavy. If it tips over, it could cause damage, serious injury or death. Do not open the doors or drawers before the appliance is securely installed.
  - Use two or more people to move and install the refrigerator. To prevent the refrigerator from tipping over, install anti-tip brackets (provided). Failure to follow the refrigerator installation instructions can result in serious injury or death.
- To reduce the risk of fire, electric shock, or personal injury when using the product, basic safety precautions should be followed, including the following. Read all instructions before using this appliance.

## Installation

- These products are not designed to be used as freestanding units. Doing so will result in a risk of tipover, personal injury, and product or property damage.
- Do not install the refrigerator near a gas stove, water heater or other source of ignition that may possibly leak gas. Do not install product in direct sunlight. Install the product in a well ventilated area.
- Ensure that enclosure dimensions allow for sufficient air circulation at the sides and back of the product. Do not block the front air inlet. Failure to follow these instructions may cause product malfunction.
- Enclosure must be constructed of materials which are strong enough to avoid damage during installation and frequent use.
- Cabinet materials must be able to withstand the heat and humidity produced during product operation and use without twisting or deforming.
- Install the product on a firm, level surface that can support the weight of the product without bending. The product must be level both horizontally and vertically.
- Keep children away from area during installation.
- Do not use an extension cord or power strip with this product.

## 4 IMPORTANT SAFETY INSTRUCTIONS

---

- Do not install the refrigerator in a damp location or where it will be exposed to running water. Deterioration of the insulation on electrical parts may result, causing risk of electric shock.
- Connect to potable water only. Non-potable water can cause health risks.
- When positioning the appliance, ensure the supply cord is not trapped or damaged.
- Do not locate multiple portable socket-outlets or portable power supplies at the rear of the appliance.

### Electrical Connection

- **If connected to a circuit protected by fuses, use time delay fuse.**
- **Use a dedicated outlet.**
  - Plugging several devices into one outlet may cause a fire.
- **Plug in the power plug with the power cord facing downward.**
  - Failure to do so could damage the plug or cord, resulting in fire or electric shock.
- **When installing or moving the refrigerator, be careful not to roll over or damage the power cord. Do not squeeze or crush the cord or plug when pushing the refrigerator in.**
  - Doing so could result in fire or electric shock.
- **Do not allow the power cord to be bent, crushed, or damaged. Do not run the power cord under heavy objects like furniture, other appliances, or through high-traffic areas.**
  - Doing so may damage the power cord and result in fire or electric shock.
- **Do not extend or modify the length of the power cord.**
  - Use only an exact factory replacement part to avoid electrical issues, fire, or electric shock.
- **Turn off the power before cleaning or moving the refrigerator.**
  - Failure to do so may cause electric shock or injury.
  - Press the POWER button for 3 seconds to turn off the power at the display panel.
- **Do not pull out the cord or touch the power plug with wet hands.**
  - Doing so may cause electric shock or injury.
- **Remove water or dust from the power plug and insert it securely into the wall socket.**
  - Dust, water, or a loose connection may cause a fire or electric shock.
- **Do not unplug the refrigerator by pulling on the cord.**
  - Doing so may cause an electric shock or a short circuit resulting in a fire.
- **Do not use the power cord or the power plug if it is damaged or if the outlet is damaged.**
  - Doing so may cause an electric shock or a short circuit resulting in a fire.
- **Wait for 5 minutes or longer when reconnecting the plug or turning the power back on.**
  - Give the compressor time to cycle before restarting.
- **If the supply cord is damaged, it must be replaced by the manufacturer or its service agent or a similarly qualified person in order to avoid a hazard.**

### CAUTION

- **Do not stick your hands under the refrigerator.**
  - Sharp edges, fans, and wires may cause an injury.
- **Save these instructions for the local inspector's use.**
- **Observe all governing codes and ordinances.**
- **Installer: Leave these instructions with the consumer.**
- **Consumer: Keep these instructions with the owner's manual for future reference.**

## General

These installation instructions are intended for use by qualified installers. All connections for water, electrical power and grounding must comply with local codes and ordinances and be made by licensed personnel when required. In the absence of a local code:

- In the U.S.A., in accordance with the National Electric Code, ANSI/NFPA70 – latest edition/State and Municipal codes and/or local codes.
- In Canada, in accordance with the Canadian Electric Code C22.1 – latest edition/Provincial and Municipal codes and/or local codes.

ENGLISH

**SAVE THESE INSTRUCTIONS**

## 6 BEFORE INSTALLATION

# BEFORE INSTALLATION

## Choosing the Install Location

Measure all doors, openings, stairwells, and overhead obstructions in the install path to ensure that the appliance can be moved to the install location.

## Temperature and Humidity

### **⚠ WARNING**

- Do not store or install the appliance where it will be exposed to:
  - outside weather
  - water damage
  - temperatures under 32 °F (0 °C)
- The appliance should be installed in a dry, well ventilated area.
- The ambient temperature should stay between 55 °F (13 °C) and 110 °F (43 °C), to avoid malfunctions.
- Do not install the product where it will be exposed to direct sunlight or near a heat source, such as an oven or radiator.

## Anti-tip Devices

### **⚠ WARNING**

- Tip Hazard
  - The appliance is very heavy and may tip over if the door is opened before the appliance is securely installed.
  - Install the supplied anti-tip brackets to prevent the appliance from tipping. The safest method of installing the appliance in a stable position is to use the supplied anti-tip devices.
  - Do not open the appliance door unless it is still on the pallet or the anti-tip brackets are engaged.
- If the enclosure is sturdy enough, attaching the appliance to the upper and side walls of the enclosure may provide additional stability, as long as the enclosure is firmly connected to the back wall. If in doubt, contact an architect or structural engineer.

## Enclosure

- The panel above the appliance must be made from a solid material (not MDF) and at least 5/8" (16 mm) thick.
- The side walls of the cavity or enclosure must be flush.
- The front 4 inches (100 mm) of the interior surface (furniture return) will be visible when doors are open. Make sure this area is finished to at least 4 inches deep.
- Follow the specifications for the installation enclosure to ensure a trouble free installation.
- Above all, the enclosure cannot be out of square. Use a spirit level or measure the diagonals of the opening to make sure corners are square.
- The appliance is attached at the sides and the top to either the enclosure or to adjacent cabinets. Make sure the enclosure or the adjacent cabinets are securely connected to the floor or wall structures.

## Floor

### **⚠ WARNING**

- The floor in the installation area must be firm, level, and rigid for safe installation and best performance.
- Do not install the appliance on a platform or raised structure.
- The structure underneath the appliance must be able to support the weight of the appliance without tilting or flexing.
- For best performance and to avoid leakage, level the appliance.

## Electrical Requirements

### **⚠ WARNING**

- Electrical Shock Hazard
  - Plug into a grounded 3-prong outlet.
  - Do not remove ground prong.
  - Do not use an adapter.
  - Do not use an extension cord.
- Failure to follow these instructions can result in death, fire, or electrical shock.
- Follow all state and local codes or NEC.

- The appliance comes with a UL listed 3-wire power supply cord.
- The appliance requires a 3-wire receptacle.
- The receptacle must be installed by a licensed electrician only.

maximum outer diameter of the supply line (without fittings) is 3/8" (9.5 mm).

## Dimensions and Clearances

ENGLISH

### Cutout Dimensions

### Grounding

This appliance must be grounded. In the event of a malfunction or breakdown, grounding will reduce the risk of electric shock by providing a path of least resistance for the electric current.

#### ⚠ WARNING

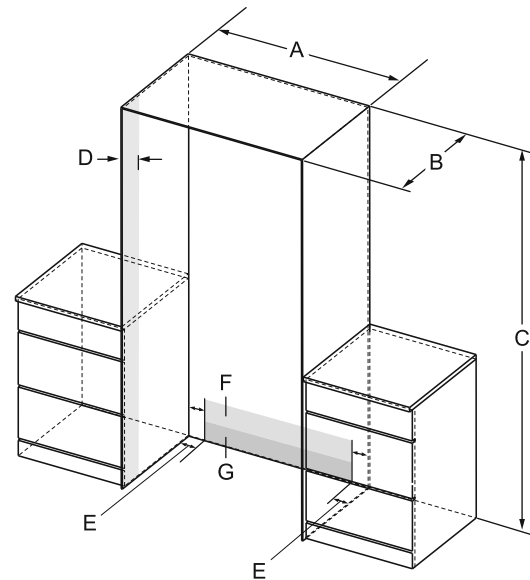
- Improper connection of the equipment grounding conductor may result in electric shock. Have the appliance checked by a qualified electrician or service technician if you are in doubt as to whether the appliance has been properly grounded.

#### ⚠ CAUTION

- The anti-tip bracket should be firmly fixed to a concrete wall/wood with a thickness of 9/16" (15 mm) or greater, or a wall with equivalent strength. (The structure where the bracket is fixed should be a solid structure that can withstand a force of 154 lbf (70 kgf) or greater.)
- Before installing the appliance, make sure that the enclosure is the correct size. For the appliance to operate properly, the notch in the bottom front plate must be aligned with the center of the appliance.

#### NOTE

- Some local regulations may require a separate ground. In such cases, the required ground wire, clamp and screw are available as a separate accessory and must be purchased separately.
- Never ground the appliance to plastic plumbing lines, gas lines or water pipes.



### Water Connection

#### ⚠ CAUTION

- Connect the appliance to potable water only.
- A cold water connection is required for operation of the automatic icemaker. The water pressure must be between 20 and 120 psi. (138 - 827 kPa).
- The installation must comply with local plumbing regulations.
- A separate shut-off valve must be installed for the appliance water connection.
- Do not use a self-piercing valve.
- Do not install the shutoff valve for the water behind the appliance. The shutoff valve must be easily accessible.
- Install the water connection in the area shown in the diagram under Dimensions and Clearances. The water supply line can be located on the right side, on the left side, or in the floor. The

-	Cutout Dimension
A	47 1/2" (1206.5 mm)
B	≥25" (635 mm) for flush installation ≥24" (610 mm) for proud installation
C	≥84" (2134 mm)
D	4" (102 mm)
E	1 3/8" (35 mm)

## 8 BEFORE INSTALLATION

-	Cutout Dimension
F (Electrical outlet)	5" (127 mm)
G (water supply)	4" (102 mm)

### NOTE

- Refrigerator can be installed flush or proud (B).
  - Flush: With a 25" (635 mm) cutout depth, the front face of the freezer fits flush with 25" (635 mm) depth adjacent cabinets.
  - Proud: With a 24" (610 mm) depth cutout, the front face of the freezer extends approximately 3/4" (19 mm) beyond 24" (610 mm) depth adjacent cabinets.
- A minimum 4" (102 mm) finished return (D) that matches the cabinet exterior is recommended on all sides and the top of the cutout opening. The shaded area will be visible after installation.

### Electrical

- A 115 V, 60 Hz, 15 amp power supply is required. An individual, properly grounded branch circuit or circuit breaker is recommended. Install a properly grounded 3-prong electrical receptacle recessed into the back wall. Electrical must be located on rear wall as shown.
- When installing a single product, use a single outlet.

### NOTE

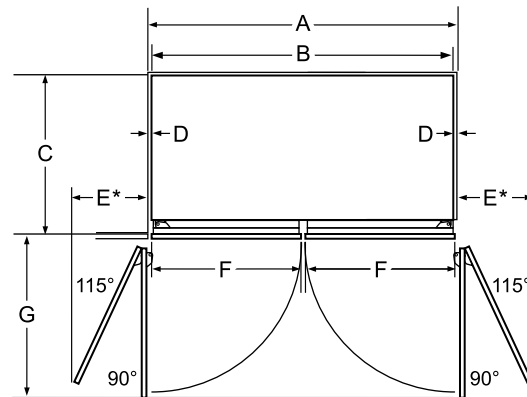
- GFCI (ground fault circuit interrupter) is not recommended.

### Water Line

- A cold water supply is required for automatic icemaker operation.
- The water pressure must be between 20 and 120 psi.
- Tubing should be long enough to extend to the front of the refrigerator. Allow enough tubing to accommodate a bend leading into the water line connection.
- Water line can enter an opening through the floor or back wall.
- Install a shut-off valve between the refrigerator water valve and the cold water supply in the home.

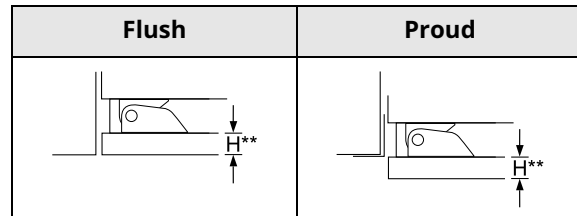
## Installation Clearances

### Top View



\* Door handle added to this dimension.

\*\* Varies depending on the thickness of the custom cabinet panel. 3/4" (19 mm) is correct dimension when using the Stainless Steel Door Panel Kit (optional accessory).



-	Dimensions and Clearances
A	47 1/2" (1206.5 mm)
B	47 1/4" (1200 mm)
C	Flush : 25" (635 mm) Proud : 24" (610 mm)
D	≥1/8" (3 mm)
E	12 15/16" (329 mm)
F	23 1/2" (596.5 mm)
G	Flush : 24 5/8" (624.5 mm) Proud : 25 3/8" (644.5 mm)
H	3/4" (19 mm)

### NOTE

- Door Swing Clearances
  - The installation must allow for clearances to adjacent walls or cabinets. This refrigerator is equipped with a 2-position door stop. The factory-set 115° door swing can be adjusted to

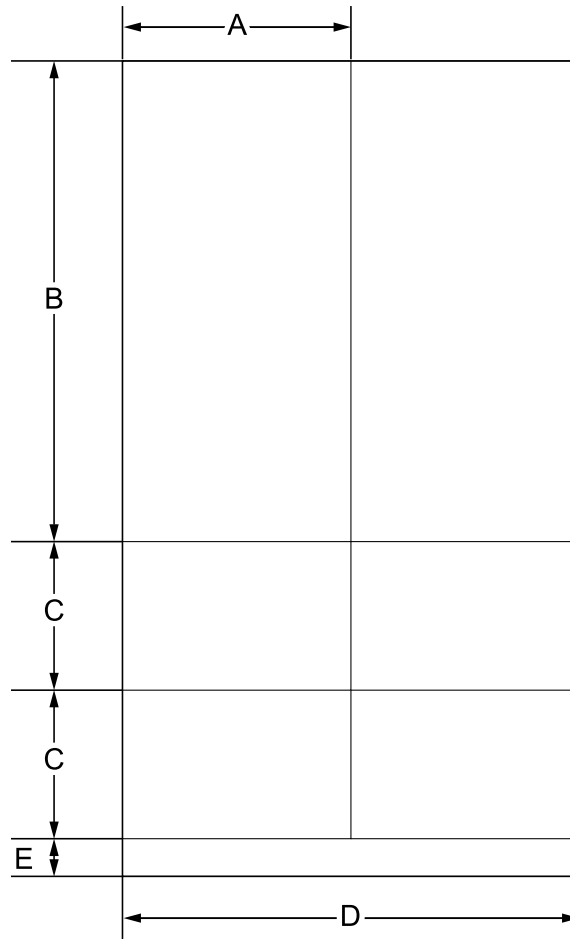


90° if clearance to adjacent cabinets or walls is restricted.

ENGLISH

### Stainless Panel Dimensions

#### 3/4" (19 mm) stainless panel dimensions for flush installation



-	Dimensions
A	23 1/2" (596.5 mm)
B	49 5/16" (1252 mm)
C	15" (381.5 mm)
D	47 1/4" (1200 mm)
E	4" (102 mm)

#### Accessories for Flush or Proud Installation

flush 25" (635 mm) cutout depth installation or in a proud 24" (610 mm) cutout depth installation.

- The stainless steel panel kit may be used in a

## 10 BEFORE INSTALLATION

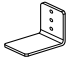

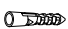

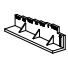

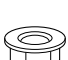

- The frame kit is recommended for retrofit/ replacement installations where the existing cutout is 24" (610 mm) deep.

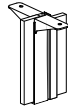
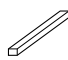
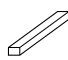
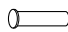
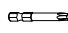

## Required Accessories and Tools

### Accessories

#### Supplied Accessories

- Installation instructions
- Operating instructions
- Water filter (included with refrigerator)
- Installation kit

Item	Size	Quantity	Used for
	-	2	Anti-tip bracket
	5H x 45L	6	
	5 x 30L	6	
	4D x 15L	4	Top bracket
	-	1	Gauge tool
	4D x 14L	120	Door panel
	-	30	
	4D x 14L	8	Side bracket

Item	Size	Quantity	Used for
	-	2	Air guide
	18 x 114 x 13T	2	
	23 x 107 x 13T	2	
	-	1	Door stop pin
	20T 30T	1 1	Torx bit
	-	1	Wrench (for door panels and leveling)

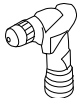
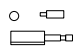
### NOTE

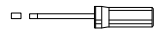
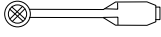
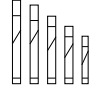

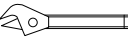
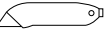
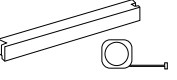
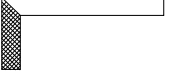
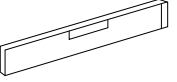
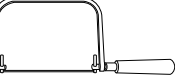
- In addition to the quantity required for installing the appliance, spare screws may be provided.

### Other

- Stepladder
- Dolly, hand truck
- Hammer drill for drilling holes in wall or floor
- Drill bits in various sizes and suitable for materials
- Wood screws in different sizes
- Thin plywood sheet, particle board or cardboard to protect the floor from damage
- Suitable material for covering and protecting furniture (protective sheets)
- Adhesive tape
- Copper, PEX, or braided steel water line(See Connecting Refrigerator to water supply for details.)

### Tools

	Cordless screwdriver
	Torx bit T20, T30 and magnetic holder

	Torx screwdriver T20, T30
	3/8" (10 mm) hex nut driver
	Various drill bits
	Multigrip pliers
	Adjustable wrench
	Cutter with adjustable blade
	Metal tape measure, folding rule
	Square
	Level, length 2" (60 cm) and 4' (1.2 m)
	Saw to cut top trim pieces (for retrofit installation only)

## 12 INSTALLATION

# INSTALLATION

## Preparing for Installation

The following installation instructions describe the installation steps for various appliance types:

- Refrigerator units with water dispenser
- Freezer units with icemaker
- Integrated refrigerator and freezer units with water dispenser and icemaker

The diagrams may be a general representation of your appliance.

Particular reference is made to special installation steps for individual appliance types.

## Unpacking

### **⚠ WARNING**

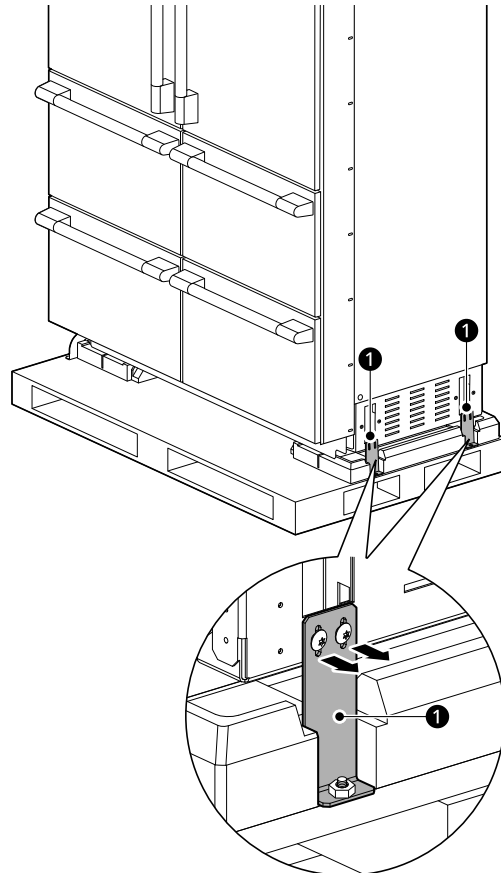
- To avoid serious injury or product damage:
  - DO NOT open appliance door unless the product is secured against tipping.
  - The appliance is very heavy and is prone to tipping if not secured.
  - To avoid injury, use 2 or more people and proper lifting techniques when lifting or moving the appliance.

Check appliance for damage in transit.

Do not install the appliance if it is visibly damaged. If in doubt, contact your dealer.

- 1** Remove the packaging carton, being careful not to damage the surface of the appliance.
- 2** To avoid floor damage, place packaging cardboard or plywood under the appliance.
- 3** Remove accessories on the sides and underneath the appliance.
- 4** Installation Preparation  
Unpack installation materials and accessories.

- 5** Remove shipping brackets **1** and lift the appliance off the pallet. Make sure that the legs are retracted before removing the appliance from the pallet



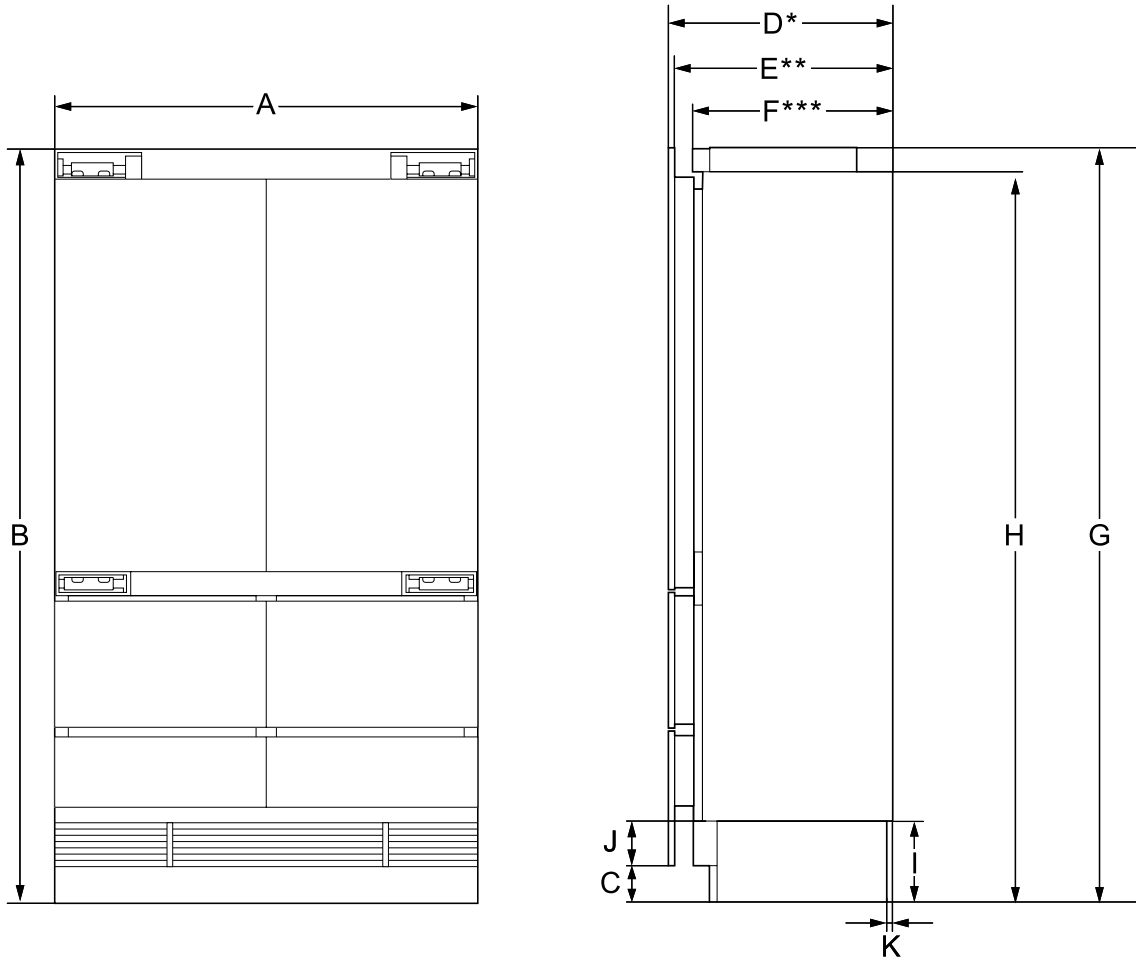
### **NOTE**

- To avoid damaging parts, do not remove the protective shipping materials inside the appliance until the installation is complete.

### **⚠ CAUTION**

- The appliance is very heavy. Use two or more people when lifting or moving the appliance.

**Product Dimensions**



ENGLISH

- \* Depth with panel & handle
- \*\* Depth with doors (no panel)
- \*\*\* Unit depth without doors

-	Dimensions
A	47 1/4" (1200 mm) without panel
B	83 1/2" (2121 mm) to 84 3/16" (2138 mm)
C	4" (100 mm)
D	27 5/16" (694 mm) with panel & handle
E	23 7/8" (607 mm) without panel
F	22" (558 mm) without door
G	83 3/8" (2117 mm) to 84" (2134 mm)
H	80 3/4" (2050 mm) to 81 3/8" (2067 mm)
I	9" (229 mm)
J	4 13/16" (123 mm)
K	3/4" (19 mm)

## 14 INSTALLATION

# Moving Appliance into Enclosure

## Installing the Anti-tip Brackets

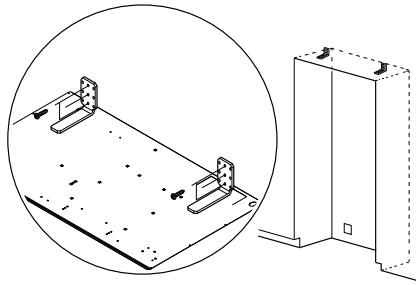
### **⚠ WARNING**

- To avoid injury or damage, check for electrical wires or plumbing in walls before drilling or installing screws.
- The anti-tip bracket should be firmly fixed to a concrete wall/wood with thickness of 9/16" (15 mm) or greater, or a wall with equivalent strength. (The structure where the bracket is fixed should be a solid structure that can withstand a force of 154 lbf (70 kgf) or greater.)

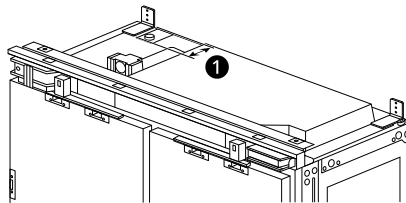
### **⚠ CAUTION**

- To avoid injury, observe all safety practices during installation, including wearing safety glasses and other safety apparel.

Install the anti-tip brackets at the rear of the enclosure, locating the brackets based on stud locations and product and enclosure dimensions.

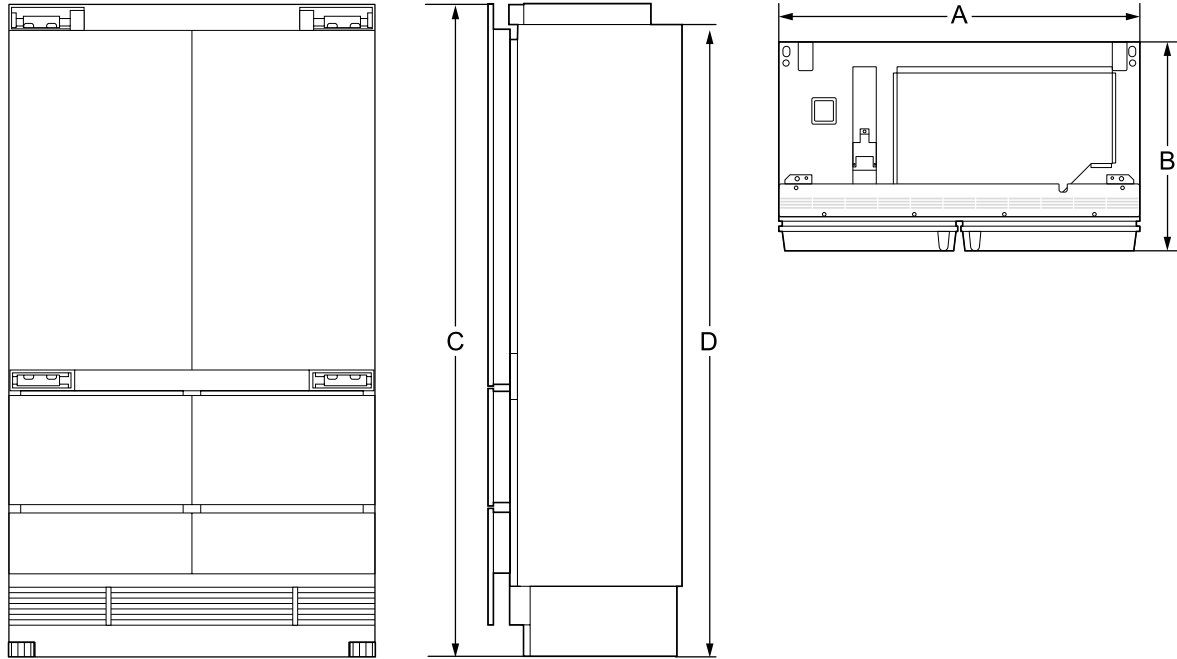


The anti-tip brackets must overlap **1** a minimum of 2 1/8" (54 mm) over the appliance to secure the appliance.



- 1** Install the anti-tip brackets at the rear of the enclosure, with the base of the brackets 3 5/16" (84 mm) from the top of the enclosure.

- 2** Make sure the anti-tip brackets are securely attached to a stud or other weight-bearing structure. Do not attach brackets to drywall, cinderblock, or uncured concrete. To ensure safety, at least one bracket must be attached to a stud. Attach brackets to studs wherever possible within the enclosure. Use a minimum of 3 screws or bolts to attach each bracket.

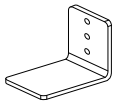


ENGLISH

-	Dimensions
A	47 1/4" (1200 mm)
B	27 5/16" (694 mm)
C	83 1/2" (2121 mm)
D	80 9/16" (2046 mm)

**NOTE**

- 2 anti-tip brackets are required for each appliance.



Anti-tip brackets (2 ea)



Screw for concrete or wood wall  
5X45 (Hex) (6 ea)

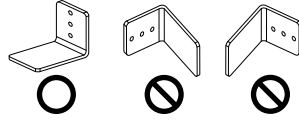


6x30 (6 ea)

## 16 INSTALLATION

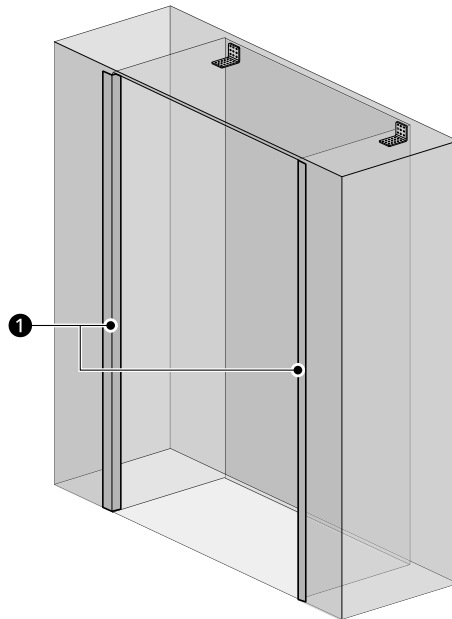
### NOTE

- Brackets must be attached as shown below. The brackets could fail to prevent tipover of the unit if installed in an alternate orientation.



### Protecting Edges of Enclosure

To protect the front edges of the enclosure, tape thin cardboard or some other protective material around the edges.



- ① Protective cover

### Installing Appliance in Enclosure

#### ⚠ WARNING

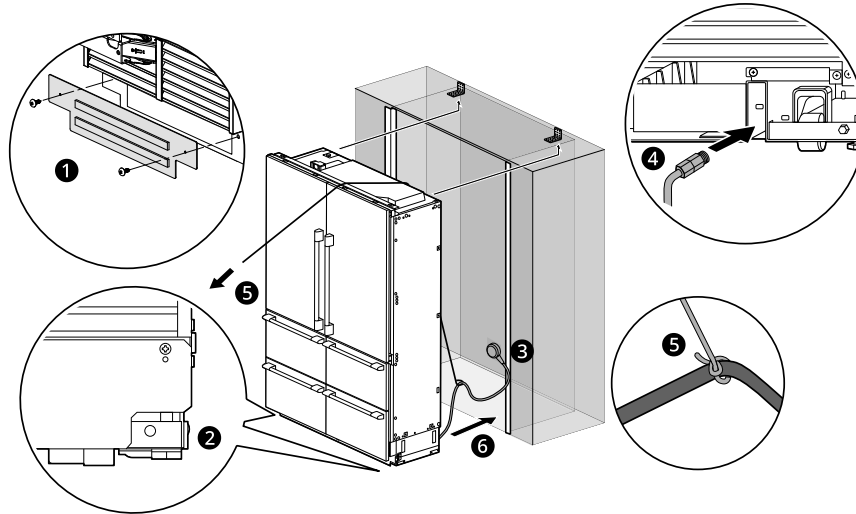
- Use 2 or more people when installing the appliance. Take care when moving the appliance. It is very heavy and prone to tipping when not secured.

#### ⚠ CAUTION

- Take care to avoid damaging the water line or power cord when moving the appliance into the enclosure.
- Before moving the unit into position, secure the door/drawers closed and protect any finished flooring.
- Use an appliance dolly or hand truck to move the unit near the opening.
- Before moving the appliance, completely retract all front and rear leveling legs.



- Once the appliance is installed, extend the front and rear leveling legs below the rollers to improve the stability of the appliance. Do not move the appliance with the legs extended. Front and rear leveling legs can be adjusted from the front once the unit is positioned.
- If the unit has been on its back or side, it must stand upright for a minimum of 24 hours before turning on the power.
- After the appliance is rolled into position, verify that the anti-tip brackets are properly engaged.



- 1 Remove the base panel.
- 2 Retract all front and rear leveling legs so the appliance can be wheeled forward and backward.
- 3 Plug the power cord into the outlet.
- 4 To use the icemakers or water dispenser, the refrigerator must be connected to the house water supply. If needed, follow the instructions under Connecting Refrigerator to Water Supply to connect to the house water supply before continuing to step 5.
- 5 Tie a long string around the middle of the power cord. Feed the string over the top of the appliance, pull it until the power cord is held high off the ground, then tape the string to the front of the appliance to hold the power cord off the ground. Do not pinch or strain the power cord. Make sure it is still plugged in.
- 6 Carefully move the appliance into the enclosure, making sure not to pinch the power cord or water line under or behind the appliance. If the water lines were connected at the front of the appliance, tuck the water lines underneath the front of the appliance.
- 7 Remove the string from the power cord and the edge protection from the enclosure.

## 18 INSTALLATION

---

# Connecting Refrigerator to Water Supply

## Before Beginning

### CAUTION

- Turn off the main water shutoff valve to prevent flooding and property damage.
  - To prevent burns and product damage, only connect the refrigerator water line to a cold water supply.
  - Connect to potable water supply only.
- 

These instructions assume you have an existing water supply connection and shutoff valve for the refrigerator located in the rear of the enclosure. If necessary, call a qualified plumber to install a water supply line for the refrigerator.

### **1** Connect a water line to the shutoff valve at the rear of the enclosure.

- Place the compression nut and ferrule(sleeve) onto the end of the tubing and connect it to the shutoff valve. If you are using PEX, the tubing may already have the required fittings at either end. Make sure the tubing is fully inserted into the valve. Tighten the compression nut securely.

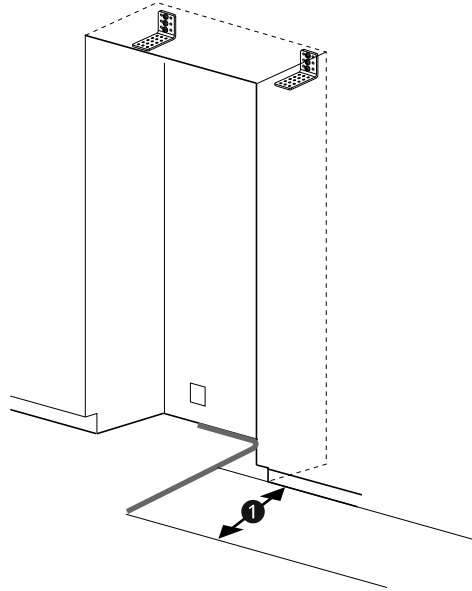
### **2** Flush out the tubing into a bucket.

- Flush out the tubing coming from the home water supply until the water is clear. Shut the water off at the water valve after about one quart of water has been flushed through the tubing.
- 

### NOTE

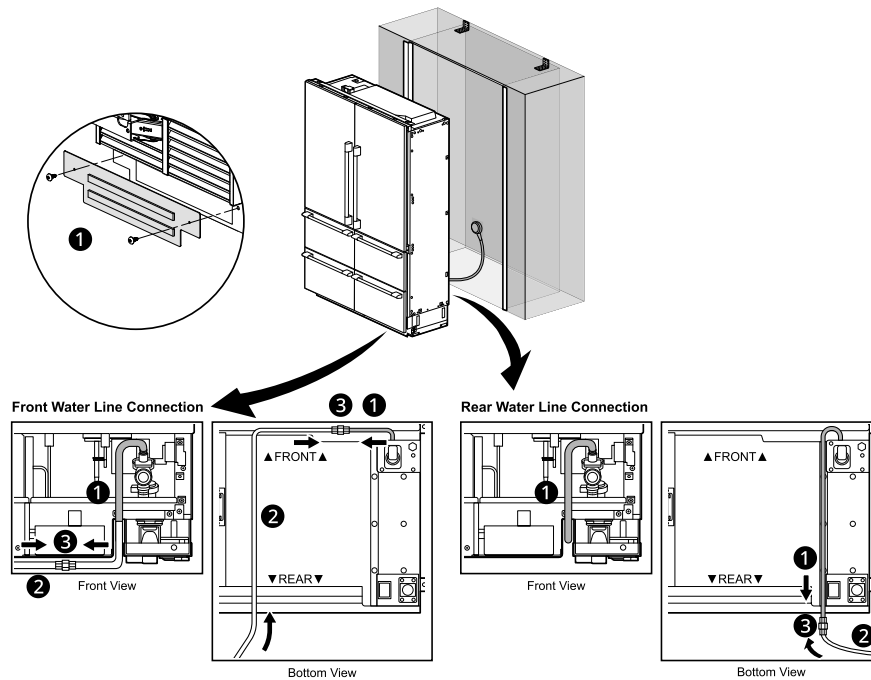
- If connecting to a copper water line behind the refrigerator, make sure that the water line is long enough to allow you to pull the refrigerator out of the enclosure for servicing. To determine how much tubing you need, measure the distance from the water valve on the front of the refrigerator to the water supply pipe and add 8 feet. You will need at least an additional 6 to 8 feet of pipe, coiled into turns, to allow the refrigerator to move out from the wall after installation.
  - If using PEX or flexible water line, you can route it under the refrigerator and connect the house water line to the refrigerator water line at the front (see diagram). A 6-foot water line is recommended for front connections.
-

When moving the refrigerator into the enclosure, make sure to check the indicated dimensions to prevent damage to the water line.



1 >14" (355 mm)

### Connecting Water Line to Refrigerator



#### NOTE

- Before making the connection to the refrigerator, be sure that the refrigerator power cord is not plugged into the wall outlet.

## 20 INSTALLATION

### 1 Route the water lines.

- If you've connected a copper water line ② to the shutoff valve at the rear of the enclosure, push the flexible water line ① connected to the front of the refrigerator through the channel at the front of the appliance until it emerges at the back of the appliance. You will be connecting the 2 water lines ( ① and ② ) at the rear of the appliance.
- If you've connected a PEX or flexible water line ② to the shutoff valve at the rear of the enclosure, push that line through the channel at the back of the appliance until it emerges at the front of the appliance. You will be connecting the 2 water lines ( ① and ② ) at the front of the appliance.

### **⚠ CAUTION**

- Do not kink the water lines. Doing so creates a risk of leaks and water damage.

### 2 You are now ready to connect the two water lines together.

### 3 Remove the flexible plastic cap from the end of the water line ① attached to the refrigerator.

### 4 Place the compression nut and ferrule (sleeve) onto the end of the house water line. If you are using a PEX connection kit, it may already have the required fittings.

### 5 Connect the house water line to the water line from the refrigerator. While holding the tubing, screw the fittings together by hand. Tighten the fittings using the open-end wrench provided. Do not overtighten the nut ③.

### 6 Turn on the water and check for leaks at all connections.

### 7 Proceed with step 5 under Installing Appliance in Enclosure.

## Leveling and Securing the Appliance

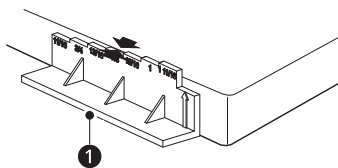
### Aligning and Leveling the Appliance

#### Depth Adjustment

Adjust the depth of the unit in the enclosure so the door panels will fit flush with the surrounding cabinetry. Use the gauge tool provided for a precise fit.

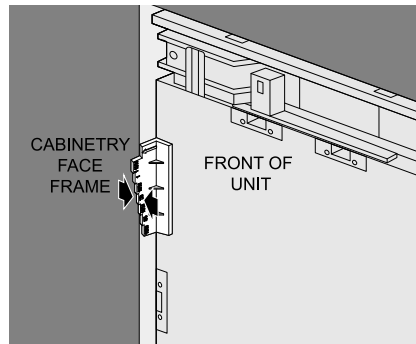
### 1 Measure the thickness of your decorative door panels using the gauge tool.

Set the door panel on a flat, protected surface and place the gauge tool ① next to the panel. Mark the notch on the gauge tool that matches the thickness of the door panel.



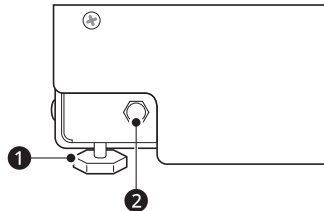
**2 Use the mark on the gauge tool to adjust the depth of the appliance in the enclosure.**

Place the gauge tool against the closed door of the appliance at the side of the enclosure. The marked notch on the gauge tool should align with the front edge of the enclosure.



**Height Adjustment**

The front and rear leveling legs can both be adjusted from the front.



- ① Front adjustment
- ② Rear adjustment

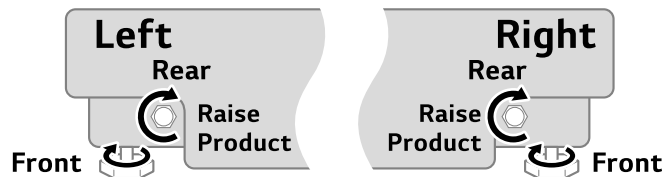
**Leveling**

Once the appliance is aligned properly in the enclosure, level it using the front and rear leveling legs.

**NOTE**

- If you level the appliance properly, you should need fewer adjustments to the doors and drawers.
- Use a spirit level rather than surrounding cabinets to judge whether the product is level.

- 1** Use the wrench included in the product and an M8 wrench to extend the front and rear leveling legs until they are in firm contact with the floor.



- 2** Turn the nut clockwise, as shown above, to raise the appliance. Turn the nut counterclockwise to lower the appliance.

## 22 INSTALLATION

---

- 3 Make sure the weight of the refrigerator is carried on the legs, not the wheels.
  
- 4 Use a smartphone leveling app or place a carpenter's level on the top and sides of the appliance to check that it is level and plumb. Or use the provided gauge tool to measure the distance of the bottom edge of the appliance from the floor at the front corners.

---

### **WARNING**

- To reduce the possibility of the unit tipping forward, the front leveling legs must be in contact with the floor.
- 

---

### **CAUTION**

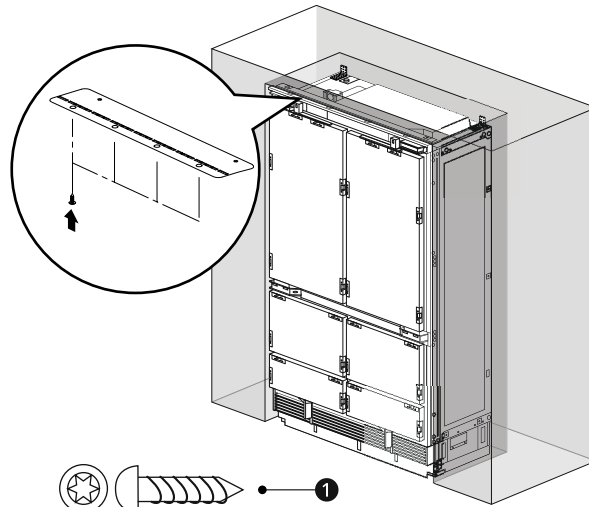
- If using a power drill, use the lowest torque setting.
  - The maximum height adjustment is 11/16" (17 mm).
-

## Attaching Appliance to Enclosure

### **⚠ WARNING**

- To avoid tip overs, the appliance must be attached to the top of the enclosure and the anti-tip brackets must be engaged.
- The top of the enclosure must be made of a solid material (not MDF) that is at least 5/8" (16 mm) thick.

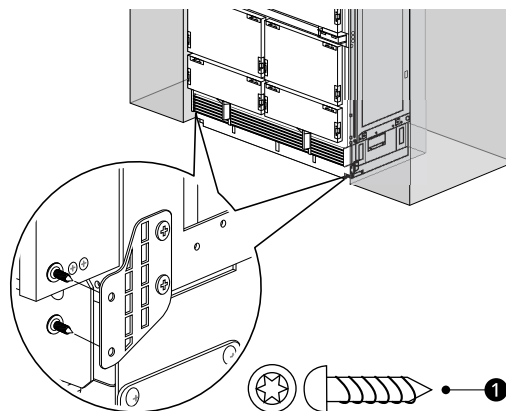
- 1 Screw the lugs on the safety bracket at the top of the appliance to the top of the enclosure.



- 1 4X15 (4 ea)

- 2 If there is a large gap between the top of the appliance and the top of the enclosure, insert a piece of wood between the lugs and the top of the enclosure to fill the gap.

- 3 Screw the side safety brackets to the sides of the enclosure.



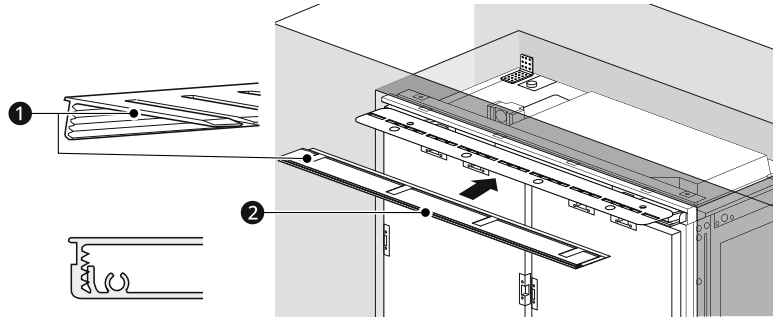
- 1 4X15 (4 ea)

### **NOTE**

- If installing two appliances side-by-side, attach the appliances to each other using the unification kit. Attach them to the sides of the enclosure as if they were one unit.

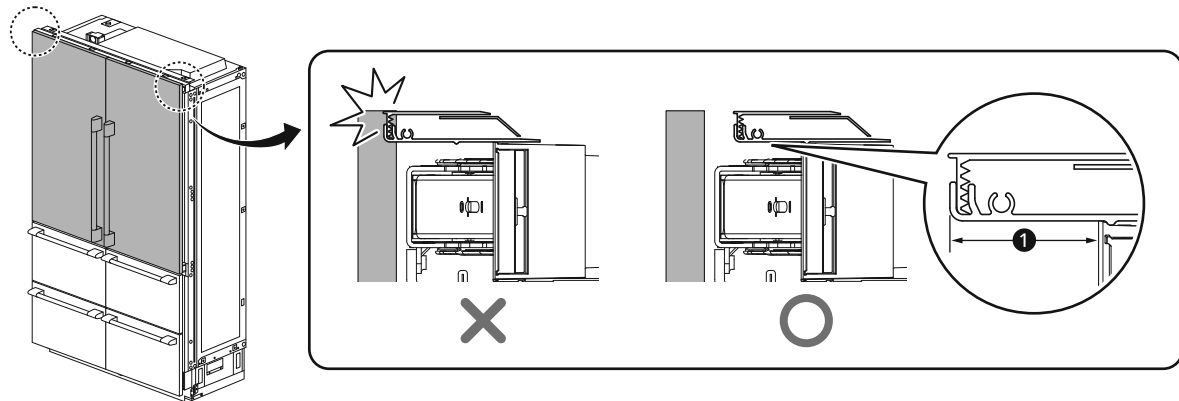
## 24 INSTALLATION

- 4 Slide the top piece from the front filler assembly ❶ in at the top of the appliance until it engages with the top safety bracket.
- 5 Once the top piece of the filler assembly is in place, slide the base of the filler assembly in under it and snap the top into the base ❷.



### NOTE

- If installing two appliances side-by-side, attach both top covers using the bolt found in the accessories package.



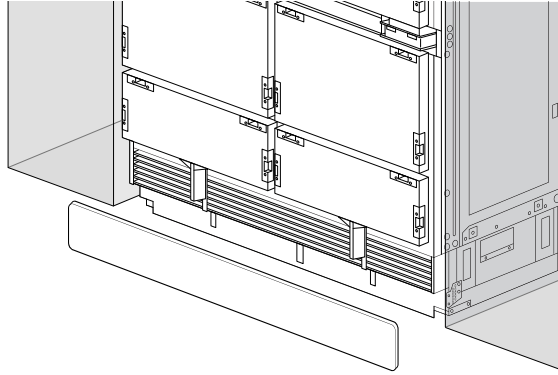
❶ 1 5/8" (41.5 mm)



## Attaching the Toe Kick Panel

### ⚠ CAUTION

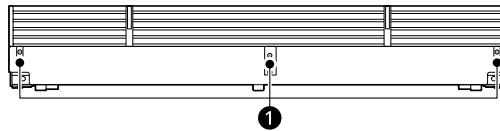
- To avoid damage to the appliance, do not block the ventilation slots in the base panel.



ENGLISH

### Stainless Toe Kick Panel

- 1 Screw the base panel to the appliance.
- 2 Remove the protective film from the adhesive on the provided magnetic strips.
- 3 Stick the magnetic strips to the back of the stainless toe kick panel.
- 4 Attach the stainless toe kick panel to the base panel using the magnetic strips.



- 1 Screw

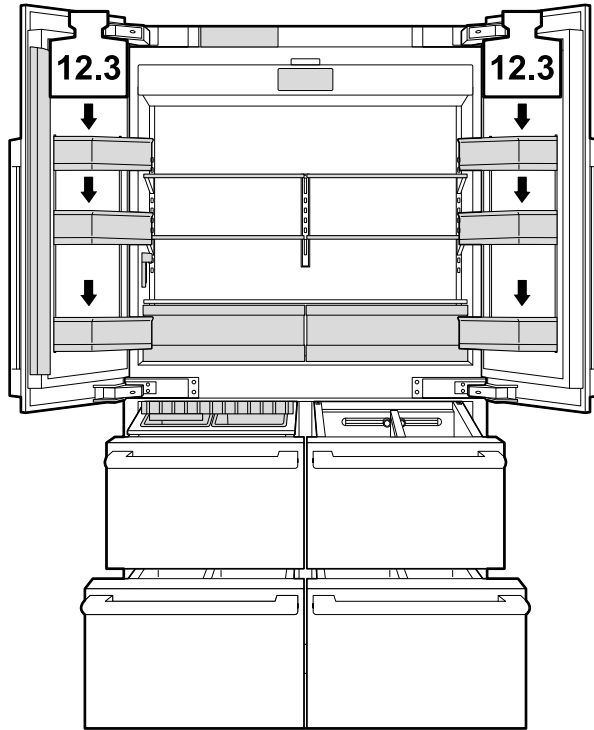
### Loading the Appliance Door

For precise results, before attaching the door panels, load the door bins with weights to ensure the gap width remains correct after food is stored in the door.

- Recommendations:
  - Total : 74.1 lbs / 33.6 kg

## 26 INSTALLATION

- Each bin : 12.3 lbs / 5.6 kg



## Panels and Trim

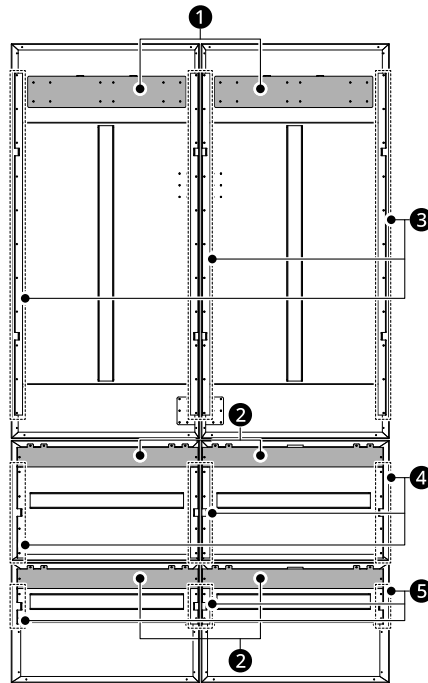
### Adjusting Door Panels

Fine adjustments can now be made to align the door panels.

#### NOTE

- Attach the brackets to the door panels before adjusting them.

ENGLISH

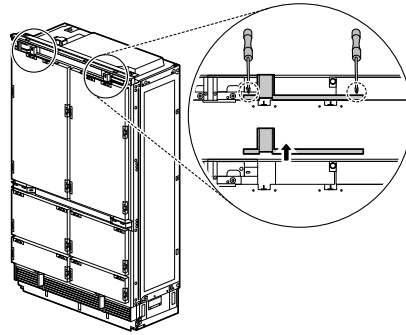


- 1 French door bracket
- 2 Drawer bracket
- 3 French door side bracket
- 4 Upper drawer side bracket
- 5 Lower drawer side bracket

### Adjusting Refrigerator Door Panels

- 1 Disassemble the door switch cover before assembling the refrigerator door panels.

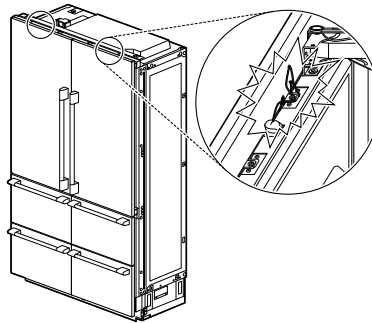
## 28 INSTALLATION



- 2 To adjust the refrigerator door panels, follow the instructions for adjusting the drawer door panels.

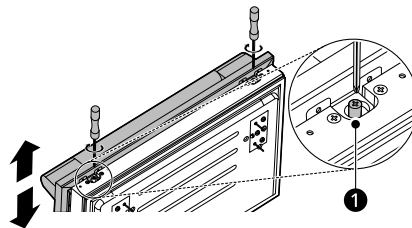
### NOTE

- To avoid damaging the wire harnesses, move the door switch covers and wire harnesses out of the way when assembling the refrigerator door panels.

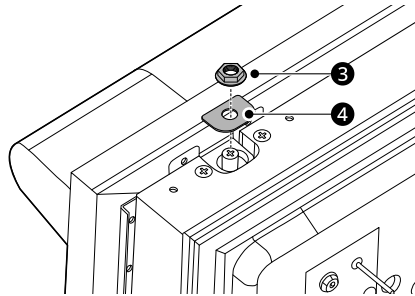
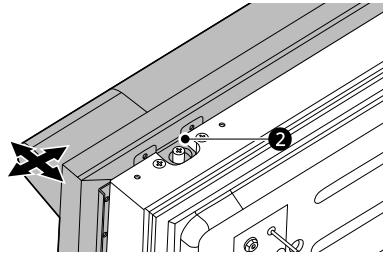


### Adjusting Drawer Door Panels

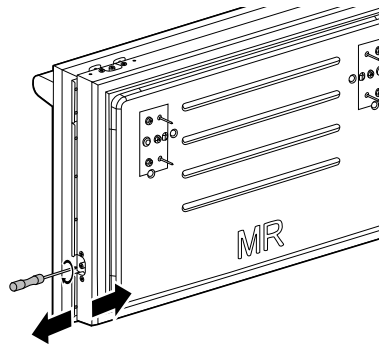
- 1 Adjust the door panel vertically, by adjusting ❶. Turn ❶ counterclockwise to raise the panel. Turn ❶ clockwise to lower the panel.



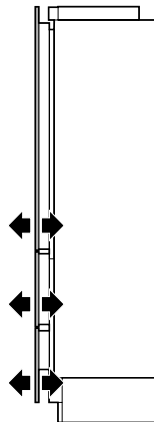
- 2 To adjust the door panel horizontally or back and forward, slide the panel in the slotted holes as desired. Then assemble the nuts ❸ and washer ❹ on the bolts ❷ and tighten them.



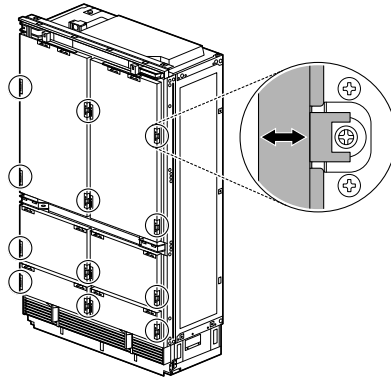
- 3** Adjust the door panel diagonally by adjusting the screw on the side.



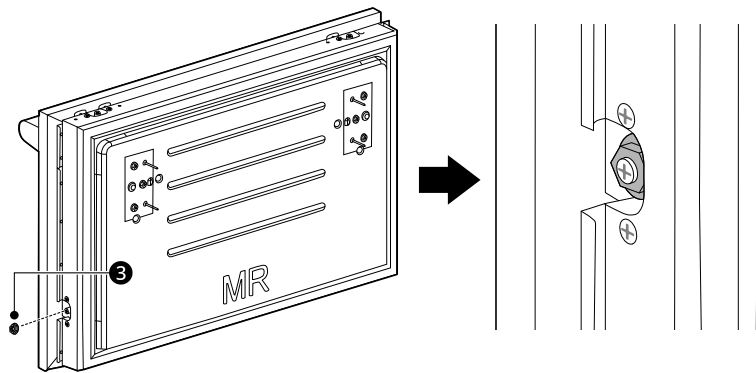
- 4** To adjust the door panel tilt on the side view of the refrigerator, slide the panel in the slotted holes as desired.



## 30 INSTALLATION

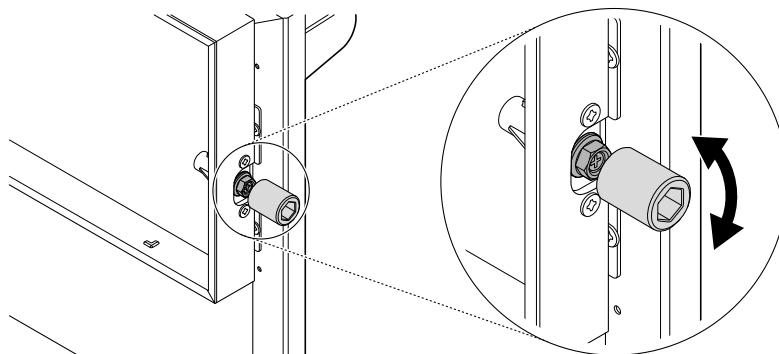


- 5** Once the panels are adjusted as desired, tighten the nuts **3** with the provided wrench or a 12 mm open- or closed-end wrench.



### NOTE

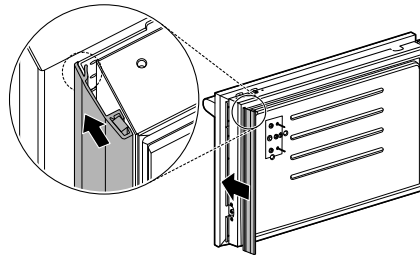
- Turn the nut on the side of the door clockwise to tighten it.



### Installing Door Trim

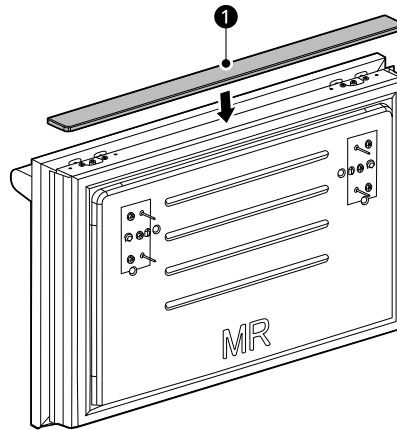
- After the panels have been adjusted, install the decorative side trim on the doors.

- To install, align the trim with the front and rear flanges on the bracket, then snap the trim into place by pushing it toward the back of the panel. There is a magnet on the back of the trim that will attach the trim to the door.



### Installing the Upper Trim (Finish) on the Drawer Fronts

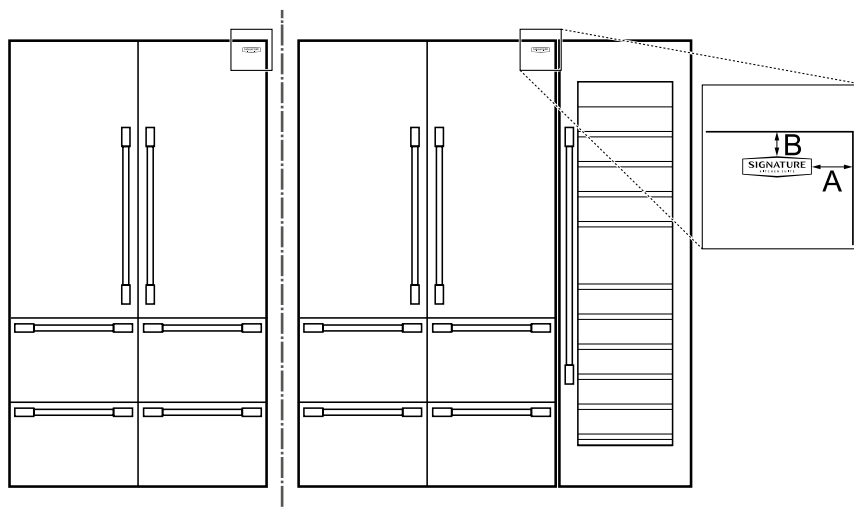
- Assemble the upper trim ❶ on the top of the drawer front. Repeat for all drawer fronts.



- ❶ Upper trim

### Attaching the Badge

Attach the badge to a position which is 1 3/16" (30 mm) from the top of the right door panel and 1 3/16" (30 mm) from the right side horizontally.



## 32 INSTALLATION

---

-	Dimensions
A	1 3/16" (30 mm)
B	1 3/16" (30 mm)



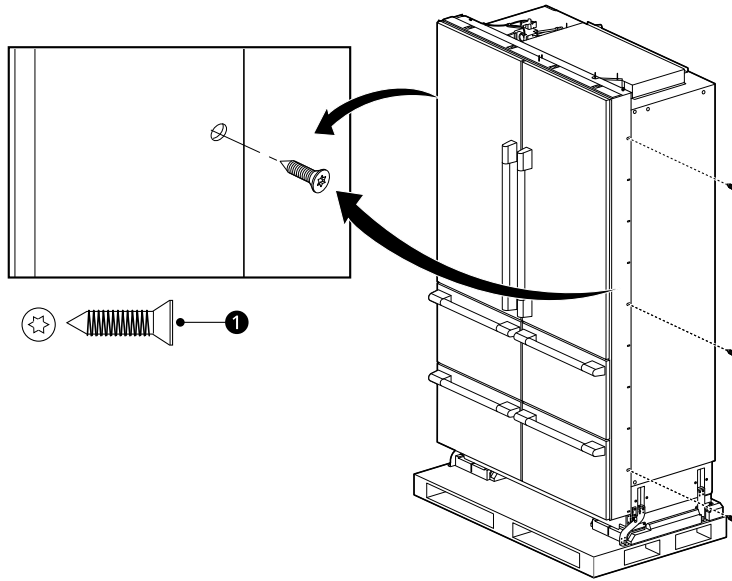
# SPECIAL INSTALLATIONS

## Accessories

### Frame Kit Accessory

For flush installations, remove the frame kit from the product. For retrofit or replacement installations, keep the frame kit attached to the product.

ENGLISH



Flush	Proud

## Adjusting Door

### Adjusting the Door Spring

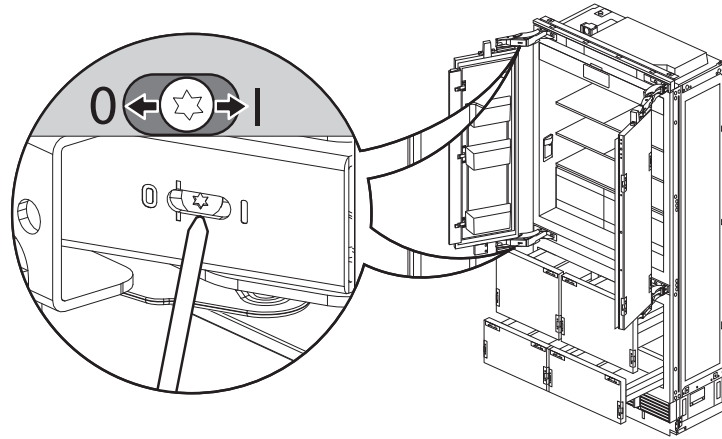
Rotate the adjusting screw with the T20 bit provided.

Maximum spring tension is recommended.

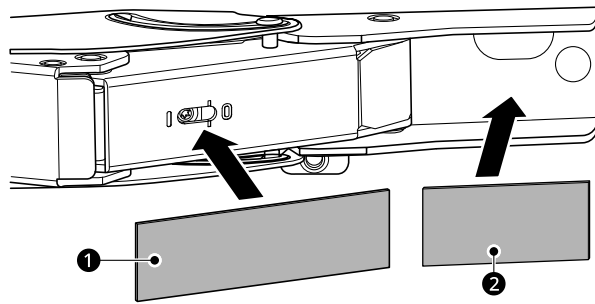
- I = maximum spring tension

## 34 SPECIAL INSTALLATIONS

- 0 = no spring tension

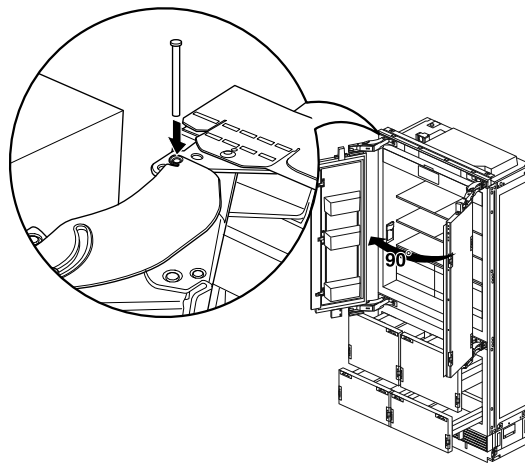


(Optional) After adjusting the door spring, attach the gray plastic sheets to hide the adjusting screws **1** and the hinge holes **2**.



### Adjusting the Door Stop

The default door stop position is 115°. Follow these instructions to change the door stop position to 90°.



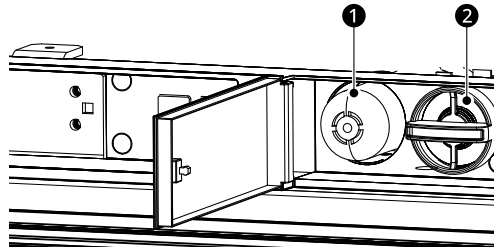
- 1** Open the door to 90°.
- 2** Insert the door stop pin in the holes which are now aligned at the back of the hinge. Use a rubber mallet to fully insert the pin.

## Water Filter

### Water Filter Bypass

Removing the water filter automatically puts the appliance in the filter bypass mode. This allows the appliance to be run without a water filter.

### Removing the Water Filter



❶ Water filter

❷ Cap

1 Push in slightly on the water filter access door to open it.

2 Use the cap to rotate the water filter counterclockwise and pull out the water filter. See the owner's manual for detailed instructions.

## Side by Side Installation

### Flush Installation

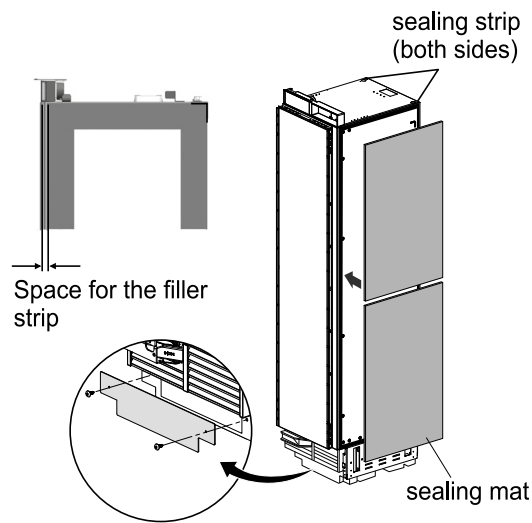
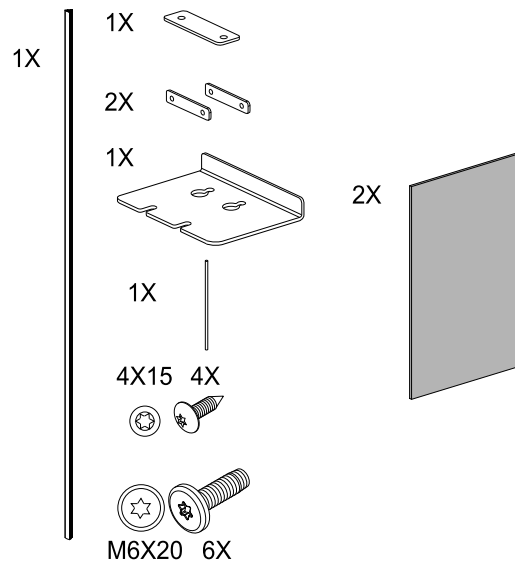
#### Flush Installation Clearances

##### NOTE

- When installing products with a partition between them, follow the standard installation. The minimum size of the partition is 6" (15.2 cm) to avoid interference between the doors.
- When installing 2 side-by-side products with one left and one right door swing, 1/16" (2 mm) clearance is required between the products. This applies to both new installations and retrofit installations.

## 36 SPECIAL INSTALLATIONS

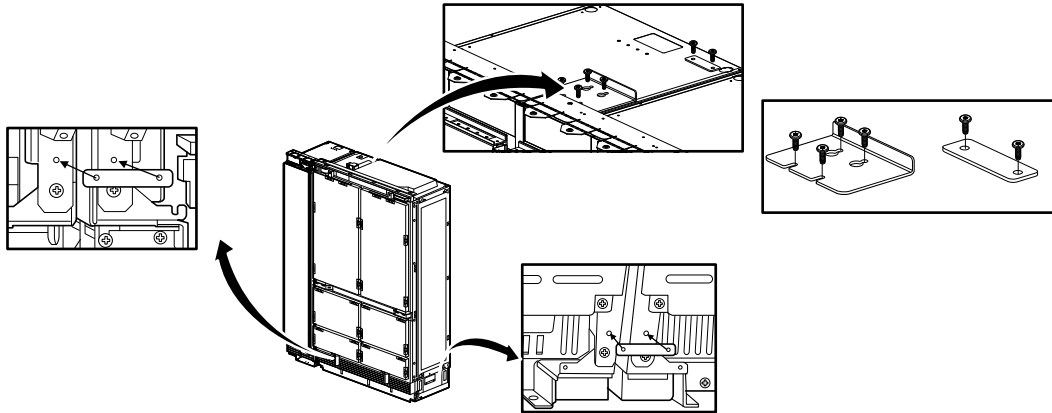
In a side-by-side flush installation, a unification kit must be used to seal the appliances together. A unification kit is included with all column freezers. The kit contains a sealing mat that helps prevent condensation from forming between the two appliances.



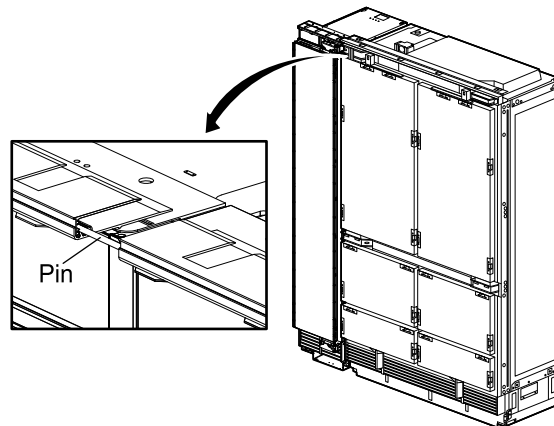
- 1** Unpack the unification kit and make sure no accessories are missing.
- 2** Place appliances near to each other in the intended installation configuration.
- 3** Remove the base panels from both appliances.
- 4** Attach the included sealing mat on the side of the freezer that faces the refrigerator. (The sealing mat should be between the two appliances after they are connected.)  
Install the gray sealing mat over the preinstalled black sealing strips so that the edge of the mat is flush with the back edge of the freezer. This will leave a small space free at the front edge to fit the filler strip between the two appliances.

Additional unification kits can be purchased from the Signature Kitchen Suite homepage ([www.signaturekitchensuite.com](http://www.signaturekitchensuite.com)). The part number of the kit is SKSFJ800P.

- 5** Place the appliances right next to each other. Attach the two appliances together by installing connection brackets between the two appliances at the top and bottom.



- 6** Insert the provided pin into both cover rails at the top of the combined units.



#### NOTE

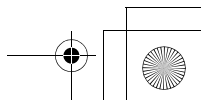
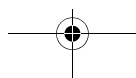
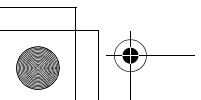
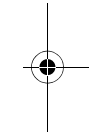
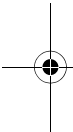
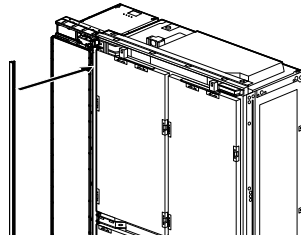
- If retrofit installing 18" and 36" columns in a 53 1/2" (1359 mm) wide enclosure, trim 1/4" (6.4 mm) off of one side of both cover rails.

- 7** Insert the filler strip in the space between the appliances. The filler strip is included with the unification kit.



### 38 SPECIAL INSTALLATIONS

---





# MANUAL DE INSTALACIÓN **REFRIGERADOR INCORPORADO**

Lea detenidamente el manual de instalación antes de instalar el aparato y consérvelo a mano en todo momento para su referencia.

**ESPAÑOL**

SKSFD4826SP

[www.signaturekitchensuite.com](http://www.signaturekitchensuite.com)

Copyright © 2024 Signature Kitchen Suite. Todos los derechos reservados

2

# ÍNDICE

## 3 INSTRUCCIONES IMPORTANTES DE SEGURIDAD

### 3 LEA TODAS LAS INSTRUCCIONES ANTES DE UTILIZAR

3 Mensajes de seguridad

### 3 ADVERTENCIA

3 Instalación

4 Conexión eléctrica

### 5 PRECAUCIÓN

5 Aspectos generales

## 6 ANTES DE LA INSTALACIÓN

### 6 Elección del sitio para la instalación

6 Temperatura y humedad

6 Dispositivos antivuelco

6 Estructura de los gabinetes

6 Piso

6 Requisitos eléctricos

7 Conexión a tierra

7 Conexión de agua

### 7 Dimensiones y Espacios

7 Dimensiones de la abertura

9 Espacios libres en la instalación

10 Dimensiones del panel de acero inoxidable

10 Accesorios para instalación al ras o sobresaliente

### 11 Herramientas y accesorios necesarios

11 Accesorios suministrados

11 Herramientas

## 13 INSTALACIÓN

### 13 Preparación para instalación

13 Desembalaje

14 Dimensiones del producto

### 15 Traslado del aparato

15 Instalación de los soportes antivuelco

17 Protección de los bordes de la estructura

17 Instalación del electrodoméstico en la estructura

### 19 Conexión del refrigerador al suministro de agua

19 Antes de Iniciar

20 Conexión de la línea de agua al refrigerador

### 21 Nivelación y sujeción del aparato

21 Alineación y nivelación del aparato

24 Cómo fijar el aparato a la estructura

26 Cómo fijar el panel del zócalo

26 Carga de la puerta del aparato

### 28 Paneles y molduras

28 Ajuste de los paneles de la puerta

31 Instalación de las molduras de la puerta

33 Colocación de la insignia

## 34 INSTALACIONES ESPECIALES

### 34 Accesorios suministrados

34 Accesorio del kit de marco

### 34 Puerta ajustable

34 Ajuste del resorte de la puerta

35 Ajuste del tope de puerta

### 37 Filtro de agua

37 Derivación del filtro de agua

### 37 Instalación lado a lado

37 Instalación al ras



# INSTRUCCIONES IMPORTANTES DE SEGURIDAD

## LEA TODAS LAS INSTRUCCIONES ANTES DE UTILIZAR

ESPAÑOL

### Mensajes de seguridad

**Su seguridad y la de los demás son muy importantes.**

Tanto en este manual como en el equipo, hemos proporcionado muchos mensajes de seguridad importantes. Siempre debe leer y respetar todos los mensajes de seguridad.



Este es el símbolo de alerta de seguridad.

Este símbolo le advierte sobre posibles riesgos que pueden ocasionar lesiones o la muerte a usted o a otros. El símbolo de alerta de seguridad siempre estará acompañado de las palabras "ADVERTENCIA" o "PRECAUCIÓN" y seguido de un mensaje de seguridad importante.

Estos términos significan lo siguiente:



#### **ADVERTENCIA**

El incumplimiento de las instrucciones podría causarle la muerte o lesiones graves.



#### **PRECAUCIÓN**

El incumplimiento de las instrucciones podría causarle lesiones o daños al producto.

Todos los mensajes de seguridad le indicarán cuáles son los peligros potenciales, cómo reducir la posibilidad de lesiones y qué podría suceder si no sigue las instrucciones.

## ADVERTENCIA

- PELIGRO DE VUELCO
  - El aparato es muy pesado. Si se volcara, podría causar daños, lesiones graves o incluso la muerte. No abra las puertas ni los cajones antes de que el aparato esté bien instalado.
  - Se necesitan dos o más personas para mover e instalar el refrigerador. Para evitar que el refrigerador se vuelque, instale los soportes antivuelco (suministrados). No seguir las instrucciones de instalación del refrigerador puede provocar lesiones graves o la muerte.
- Para reducir el riesgo de incendio, descarga eléctrica o lesiones personales al usar este producto, se deben seguir las precauciones básicas de seguridad, incluidas las siguientes. Lea todas las instrucciones antes de usar este aparato.

## Instalación

- Estos productos no están diseñados para ser utilizados como unidades independientes. Si los emplea como unidades independientes, se corre riesgo de vuelco, lesiones personales y daños al producto o la propiedad.
- No instale el refrigerador cerca de una cocina o calentador de agua que funcionen con gas, ni cerca de otra fuente de ignición que pueda causar fugas de gas. No instale el producto expuesto a la luz solar directa. Instale el producto en un área bien ventilada.
- Asegúrese de que las dimensiones de la estructura de los gabinetes permitan una circulación de aire suficiente en los lados y en la parte posterior del producto. No bloquee la entrada de aire frontal. El incumplimiento de estas instrucciones puede causar un mal funcionamiento del producto.
- La estructura de los gabinetes debe estar construida con materiales lo suficientemente resistentes como para evitar daños durante la instalación y el uso frecuente.
- Los materiales del gabinete deben poder soportar el calor y la humedad que se producen durante la operación y el uso del producto sin sufrir retorcimientos ni deformaciones.
- Instale el producto en una superficie firme y nivelada que pueda soportar el peso del producto sin doblarse. El producto debe quedar nivelado horizontal y verticalmente.

## 4 INSTRUCCIONES IMPORTANTES DE SEGURIDAD

---

- Mantenga a los niños alejados del área durante la instalación.
- No utilice un cable de extensión ni una regleta multicontactos con este producto.
- No instale el refrigerador en un lugar húmedo o donde quede expuesto al agua corriente. Puede producirse deterioro del aislamiento de las piezas eléctricas, lo cual, a su vez, puede provocar riesgos de descarga eléctrica.
- Conéctelo solo a agua potable. El agua no potable puede causar riesgos para la salud.
- Al colocar el electrodoméstico, asegúrese de que el cable de alimentación no quede atrapado ni se dañe.
- No coloque varias tomas de corriente portátiles o fuentes de alimentación portátiles en la parte trasera del electrodoméstico.

### Conexión eléctrica

- **Si se conecta a un circuito protegido con fusibles, utilice un fusible de retardo.**
- **Utilice una toma de corriente dedicada.**
  - La conexión de varios dispositivos a una misma toma de corriente puede provocar un incendio.
- **Enchufe el cable de alimentación asegurándose de que quede hacia abajo.**
  - De lo contrario, podría dañar el enchufe o el cable y provocar un incendio o una descarga eléctrica.
- **Al instalar o mover el refrigerador, tenga cuidado de no retorcer ni dañar el cable de alimentación. No apriete ni aplaste el cable o el enchufe cuando empuje el refrigerador en su sitio.**
  - De lo contrario, podría producirse un incendio o una descarga eléctrica.
- **No permita que el cable de alimentación se doble, aplaste o dañe de otra forma. No coloque el cable de alimentación bajo objetos pesados como muebles, otros electrodomésticos o áreas de alto tráfico.**
  - Si lo hace, puede dañar el cable de alimentación y provocar un incendio o una descarga eléctrica.
- **No extienda ni modifique la longitud del cable de alimentación.**
  - Use solamente un repuesto exacto de fábrica para evitar problemas eléctricos, incendios o descargas eléctricas.
- **Desconecte el cable de alimentación antes de limpiar o mover el refrigerador.**
  - Si no lo hace, puede producirse una descarga eléctrica o usted puede sufrir lesiones.
  - Presione el botón ENCENDIDO durante 3 segundos para apagar la alimentación en el panel de visualización.
- **No tire del cable ni toque el enchufe con las manos húmedas.**
  - Si lo hace, puede producirse una descarga eléctrica o usted puede sufrir lesiones.
- **Asegúrese de que el enchufe esté limpio y seco e insértelo firmemente en la toma de corriente de la pared.**
  - El polvo, el agua o una conexión floja pueden provocar un incendio o una descarga eléctrica.
- **No desenchufe el refrigerador tirando del cable.**
  - Si lo hace, podría provocar una descarga eléctrica o un cortocircuito que, a su vez, podrían provocar un incendio.
- **No utilice el enchufe ni el cable de alimentación si presentan daños o si la toma de corriente está dañada.**
  - Si lo hace, podría provocar una descarga eléctrica o un cortocircuito que, a su vez, podrían provocar un incendio.
- **Espere 5 minutos o más para volver a conectar el enchufe o la alimentación.**
  - Permita que el compresor tenga tiempo de concluir el ciclo antes de reiniciar.
- **Si el cable de alimentación está dañado, debe ser reemplazado por el fabricante o su agente de servicio técnico o por una persona con calificaciones similares a fin de evitar cualquier peligro.**

## PRECAUCIÓN

- **No meta las manos debajo del refrigerador.**
  - Los bordes filosos, los ventiladores y los cables pueden provocar lesiones.
- **Conserve estas instrucciones para uso del inspector local.**
- **Respete todos los códigos y las ordenanzas vigentes.**
- **Instalador: deje estas instrucciones al usuario.**
- **Usuario: guarde estas instrucciones con el manual del propietario para futuras consultas.**

### Aspectos generales

Estas instrucciones de instalación están destinadas a ser utilizadas por instaladores calificados. Todas las conexiones de agua, energía eléctrica y puesta a tierra deben cumplir con los códigos y las ordenanzas locales y deben ser realizadas por personal acreditado en los casos en que sea necesario. En ausencia de un código local:

- En los EE. UU., conforme al Código Eléctrico Nacional, ANSI/NFPA 70: última edición/códigos locales y/o estatales y municipales.
- En Canadá, conforme al Código Eléctrico Canadiense C22.1: última edición/códigos locales y/o provinciales y municipales.

## GUARDE ESTAS INSTRUCCIONES

## 6 ANTES DE LA INSTALACIÓN

# ANTES DE LA INSTALACIÓN

## Elección del sitio para la instalación

Mida todas las puertas, aberturas, huecos de escaleras y obstrucciones elevadas en el trayecto de instalación para asegurarse de que el aparato se pueda llevar al lugar de instalación.

## Temperatura y humedad

### ⚠ ADVERTENCIA

- No almacene ni instale el aparato donde esté expuesto a:
  - la intemperie
  - daños por la acción del agua
  - temperaturas menores de 32 °F (0 °C)
- El aparato debe instalarse en un área seca y bien ventilada.
- La temperatura ambiente debe permanecer entre 55 °F (13 °C) y 110 °F (43 °C) para evitar el mal funcionamiento del electrodoméstico.
- No instale el producto en lugares expuestos a la luz solar directa o cerca de una fuente de calor, como un horno o un radiador.

## Dispositivos antivuelco

### ⚠ ADVERTENCIA

- Peligro de vuelco
  - El aparato es muy pesado y puede volcarse si se abre la puerta antes de que se haya instalado de forma segura.
  - Coloque los soportes antivuelco suministrados para evitar que el aparato se vuelque. El método más seguro para instalarlo en una posición estable es utilizar los dispositivos antivuelco que se suministran.
  - No abra la puerta del aparato, a menos que aún esté en el pálet o que los soportes antivuelco estén bien enganchados.
- Si la estructura de los gabinetes es lo suficientemente resistente, fijar el aparato a la pared superior y a las paredes laterales del gabinete puede proporcionar estabilidad adicional, siempre que la estructura esté firmemente conectada a la pared posterior. En caso de duda, consulte a un arquitecto o a un ingeniero de estructuras.

## Estructura de los gabinetes

- El panel sobre el aparato debe estar construido en un material sólido (no de MDF) y que cuente con un grosor de 5/8" (16 mm) como mínimo.
- Las paredes laterales de la cavidad o de la estructura deben estar al ras.
- Las 4 pulgadas (100 mm) frontales de la superficie interior (remate del mueble) quedarán visibles cuando las puertas estén abiertas. Asegúrese de que esta área esté terminada con, como mínimo, 4 pulgadas de profundidad.
- Siga las especificaciones de instalación del gabinete para garantizar una instalación sin problemas.
- Por sobre todo, la estructura de los gabinetes no puede estar en falsa escuadra. Use un nivel de burbuja o mida las diagonales de la abertura para asegurarse de que las esquinas estén en escuadra.
- El aparato se fija a los lados y en la parte superior a la estructura o a los gabinetes adyacentes. Asegúrese de que la estructura o los gabinetes adyacentes se encuentren bien fijados al piso o la pared.

## Piso

### ⚠ ADVERTENCIA

- El piso del área de instalación debe ser firme, nivelado y rígido para posibilitar una instalación segura y lograr el mejor rendimiento.
- No instale el aparato en una plataforma o estructura elevada.
- La estructura de debajo del aparato debe tener la capacidad de soportar el peso del mismo sin inclinarse ni doblarse.
- Para obtener el mejor rendimiento y evitar fugas, nivele el aparato.

## Requisitos eléctricos

### ⚠ ADVERTENCIA

- Peligro de descarga eléctrica
  - Conecte a una toma de corriente de 3 clavijas con conexión a tierra.
  - No quite el terminal de tierra.
  - No utilice un adaptador.

- No use un cable de extensión.
- El incumplimiento de estas instrucciones puede provocar la muerte, incendios o descargas eléctricas.
- Observe todos los códigos estatales y locales o el Código Nacional de Electricidad (NEC).
- El aparato viene con un cable de alimentación de 3 alambres homologado por UL.
- El aparato requiere una toma de corriente de 3 alambres.
- La toma de corriente debe ser instalada únicamente por un electricista acreditado.

## Conexión a tierra

Este aparato debe estar conectado a tierra. En caso de mal funcionamiento o avería, la conexión a tierra reducirá el riesgo de descargas eléctricas al proporcionar una ruta de menor resistencia para la corriente eléctrica.

### ⚠ ADVERTENCIA

- la conexión incorrecta del conductor de puesta a tierra del equipo puede provocar descargas eléctricas. Si tiene dudas sobre si el electrodoméstico ha sido conectado a tierra correctamente, llame a un electricista calificado o un técnico del servicio técnico para que lo revisen.

### NOTA

- Algunas regulaciones locales pueden requerir una conexión a tierra independiente. En tales casos, la abrazadera, el tornillo y el cable a tierra requeridos para la conexión a tierra se encuentran disponibles como accesorios que deben comprarse por separado.
- Nunca conecte a tierra el aparato mediante tuberías de plástico, tuberías de gas ni tuberías de agua.

## Conexión de agua

### ⚠ PRECAUCIÓN

- Conecte el aparato únicamente a agua potable.
- Se requiere una conexión de agua fría para el funcionamiento de la máquina de hielo automática. La presión del agua debe ser de entre 20 y 120 psi. (138 a 827 kPa).

- La instalación debe respetar la normativa local de fontanería.
- Debe instalarse una válvula de cierre independiente para la conexión de agua del aparato.
- No se deben usar válvulas autoperforantes.
- No instale la válvula de cierre de agua detrás del aparato. El acceso a la válvula de cierre debe ser fácil.
- Instale la conexión de agua en la zona indicada en el diagrama que aparece en la sección Dimensiones y espacios. La línea de suministro de agua puede situarse en el lado derecho, en el lado izquierdo o en el suelo. El diámetro exterior máximo de la línea de suministro (sin accesorios) es de 3/8" (9.5 mm).

## Dimensiones y Espacios

### Dimensiones de la abertura

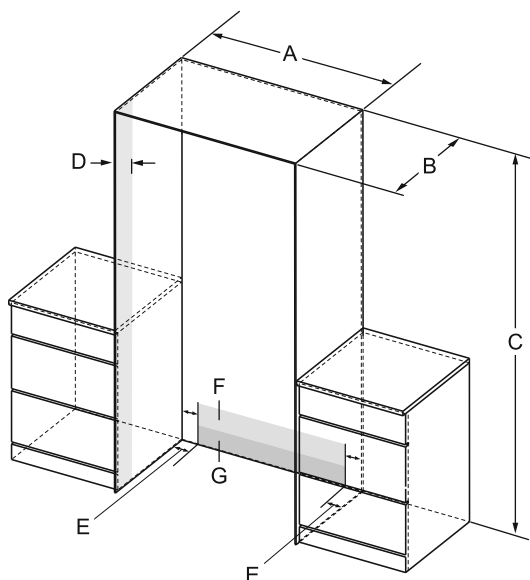
### ⚠ PRECAUCIÓN

- Los soportes antivuelco deben estar bien fijados a una pared de hormigón/madera con un espesor de 9/16" (15 mm) o más, o a una pared con una resistencia equivalente. (La estructura donde se fije el soporte debe ser una estructura sólida que pueda soportar una fuerza de 154 lbf [70 kgf] o más.)

## 8 ANTES DE LA INSTALACIÓN

### **PRECAUCIÓN**

- Antes de instalar el aparato, asegúrese de que la estructura sea del tamaño correcto. Para que el aparato funcione correctamente, la muesca en la placa inferior delantera debe estar alineada con el centro del aparato.



-	Dimensiones de la abertura
A	47 1/2" (1206.5 mm)
B	≥25" (635 mm) para instalación al ras ≥24" (610 mm) para instalación sobresaliente
C	≥84" (2134 mm)
D	4" (102 mm)
E	1 3/8" (35 mm)
F (Toma eléctrica)	5" (127 mm)
G (suministro de agua)	4" (102 mm)

### **NOTA**

- El refrigerador puede instalarse al ras o de forma sobresaliente (B).
  - Al ras: con una profundidad de abertura de 25" (635 mm), la cara frontal del congelador encaja al ras con los gabinetes adyacentes de 25" (635 mm) de profundidad.

- Sobresaliente: con una profundidad de abertura de 24" (610 mm), la cara frontal del congelador se extiende aproximadamente 3/4" (19 mm) por fuera de los gabinetes adyacentes de 24" (610 mm) de profundidad.
- Se recomienda un remate final (D) mínimo de 4" (102 mm) que coincida con el exterior del gabinete en todos los laterales y en la parte superior de la abertura de recorte. El área sombreada queda a la vista después de la instalación.

### **Instalación eléctrica**

- Se requiere una fuente de alimentación de 115 V 60 Hz y 15 A. Se recomienda un circuito de derivación o disyuntor individual debidamente conectado a tierra. Instale una toma de corriente de 3 clavijas empotrada en la pared posterior y adecuadamente conectada a tierra. La instalación eléctrica debe estar ubicada en la pared posterior como se muestra.
- Cuando instale un solo producto, utilice una toma de corriente simple.

### **NOTA**

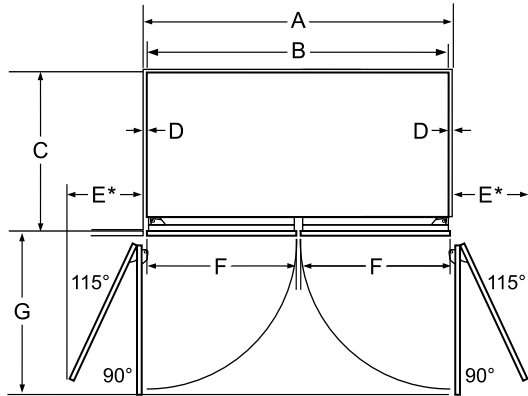
- No se recomienda utilizar un GFCI (interruptor de circuito por falla a tierra).

### **Línea de agua**

- Se necesita un suministro de agua fría para el funcionamiento automático de la máquina de hielo.
- La presión de agua debe ser de entre 20 y 120 psi.
- Las tuberías deben ser lo suficientemente largas como para llegar hasta la parte delantera del refrigerador. Deje suficiente tubería para permitir una curvatura que conduzca a la conexión de la línea de agua.
- La línea de agua puede entrar por una abertura a través del suelo o la pared posterior.
- Instale una válvula de cierre entre la válvula de agua del refrigerador y el suministro de agua fría del hogar.

## Espacios libres en la instalación

### Vista superior

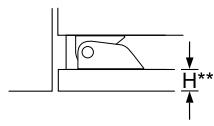
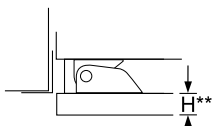


configurado de fábrica se puede ajustar a 90° si el espacio se encuentra limitado por gabinetes o paredes adyacentes.

ESPAÑOL

\* La manija de la puerta está sumada a esta dimensión.

\*\* Varía en función del espesor del panel de gabinete personalizado. Cuando se usa el kit de panel de puerta de acero inoxidable, la dimensión correcta es 3/4" (19 mm) (accesorio opcional).

Al ras	Sobresaliente
	

-	Dimensiones y Espacios
A	47 1/2" (1206.5 mm)
B	47 1/4" (1200 mm)
C	Al ras : 25" (635 mm) Sobresaliente : 24" (610 mm)
D	≥1/8" (3 mm)
E	12 15/16" (329 mm)
F	23 1/2" (596.5 mm)
G	Al ras : 24 5/8" (624.5 mm) Sobresaliente : 25 3/8" (644.5 mm)
H	3/4" (19 mm)

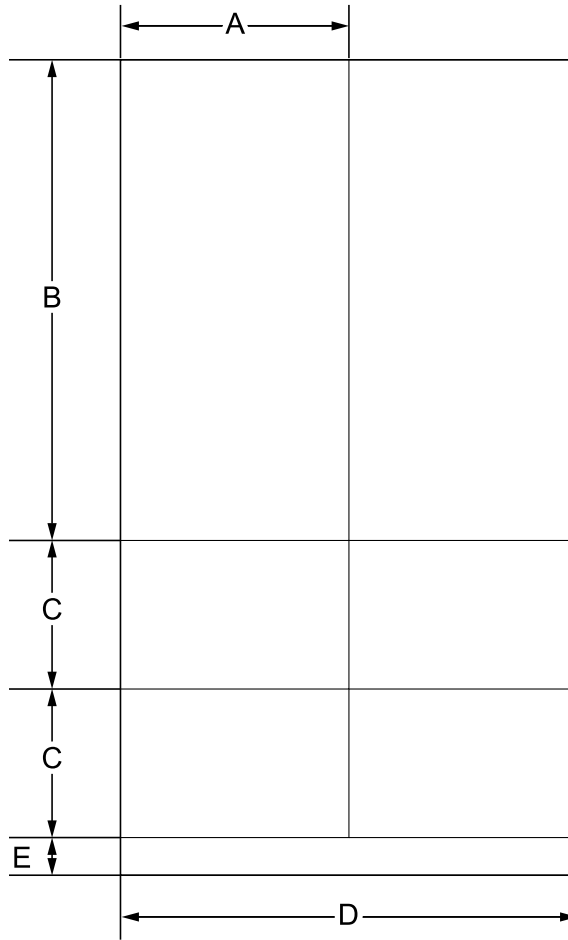
### NOTA

- Espacios para la apertura de las puertas
  - La instalación debe dejar espacios con respecto a las paredes o gabinetes adyacentes. Este refrigerador está equipado con un tope de puerta de 2 posiciones. El ángulo de apertura de la puerta de 115°

## 10 ANTES DE LA INSTALACIÓN

### Dimensiones del panel de acero inoxidable

#### Dimensiones del panel de acero inoxidable de 3/4" (19 mm) para instalación al ras



-	Dimensiones
A	23 1/2" (596.5 mm)
B	49 5/16" (1252 mm)
C	15" (381.5 mm)
D	47 1/4" (1200 mm)
E	4" (102 mm)

#### Accesorios para instalación al ras o sobresaliente

- El kit de panel de acero inoxidable puede usarse en una instalación al ras con una profundidad de abertura de 25" (635 mm) o en una instalación sobresaliente con una profundidad de abertura de 24" (610 mm).
- El kit de marco se recomienda para instalaciones posteriores o de reemplazo en las que la abertura existente es de 24" (610 mm) de profundidad.




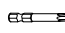

# Herramientas y accesorios necesarios

## Accesorios suministrados

### Accesorios suministrados

- Instrucciones de instalación
- Instrucciones de uso
- Filtro de agua (incluido con el refrigerador)
- Kit de instalación

Artículo	Tamaño	Cantidad	Se usa para
	-	2	Soporte antivuelco
	5H x 45L	6	
	5 x 30L	6	
	4D x 15L	4	Soporte superior
	-	1	Herramienta de medición
	4D x 14L	120	Panel de la puerta
	-	30	
	4D x 14L	8	Soporte lateral
	-	2	Guía de aire
	18 x 114 x 13T	2	
	23 x 107 x 13T	2	

Artículo	Tamaño	Cantidad	Se usa para
	-	1	Pasador del tope de puerta
	20T 30T	1 1	Punta Torx
	-	1	

ESPAÑOL

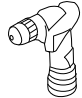
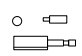
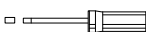
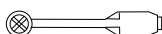
### NOTA

- Además de la cantidad necesaria para instalar el aparato, es posible que se suministren tornillos de repuesto.

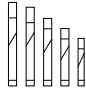
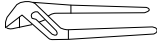

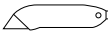
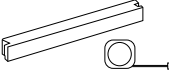

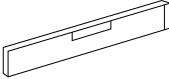
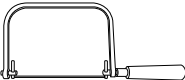
### Otros

- Escalera de mano
- Carretilla o carro de carga para transporte manual
- Taladro percutor para perforar paredes o pisos
- Brocas de varios tamaños y adecuadas para los materiales
- Tornillos para madera de diferentes tamaños
- Lámina delgada de contrachapado, tabla de aglomerado o cartón para proteger el suelo de posibles daños
- Material adecuado para cubrir y proteger los muebles (nylons protectores)
- Cinta adhesiva
- Suministro de agua de tubería de cobre, PEX o acero trenzado (Consulte Conexión del refrigerador al suministro de agua para conocer detalles).

### Herramientas

	Destornillador inalámbrico
	Punta Torx T20, T30 y soporte magnético
	Destornillador Torx T20, T30
	Llave de tuercas hexagonales de 3/8" (10 mm)

## 12 ANTES DE LA INSTALACIÓN

	Variedad de brocas
	Tenazas de agarre múltiple
	Llave ajustable
	Cuchilla de hoja graduable
	Cinta métrica metálica, metro plegable
	Escuadra
	Niveles: de 2" (60 cm) y 4' (1.2 m) de longitud
	Sierra para cortar las molduras para el borde superior (solo para instalaciones en remodelaciones)

# INSTALACIÓN

## Preparación para instalación

Las siguientes instrucciones de instalación describen los pasos para instalar diversos tipos de aparatos:

- Unidades de refrigeración con dispensador de agua
- Unidades de congelación con máquina de hielo
- Refrigerador y congelador integrados con dispensador de agua y máquina de hielo

Los diagramas pueden ser una representación general de su aparato.

Se hace referencia en particular a los pasos de instalación especial para tipos de aparatos individuales.

## Desembalaje

### ⚠ ADVERTENCIA

- Para evitar lesiones graves o dañar el producto:
  - NO abra la puerta del aparato a menos que el producto esté asegurado contra vuelcos.
  - El aparato es muy pesado y tiende a volcarse cuando no está bien sujeto.
  - Para evitar lesiones, se necesitan 2 o más personas para levantar o mover el aparato, y esto se debe hacer con la ayuda de técnicas de elevación adecuadas.

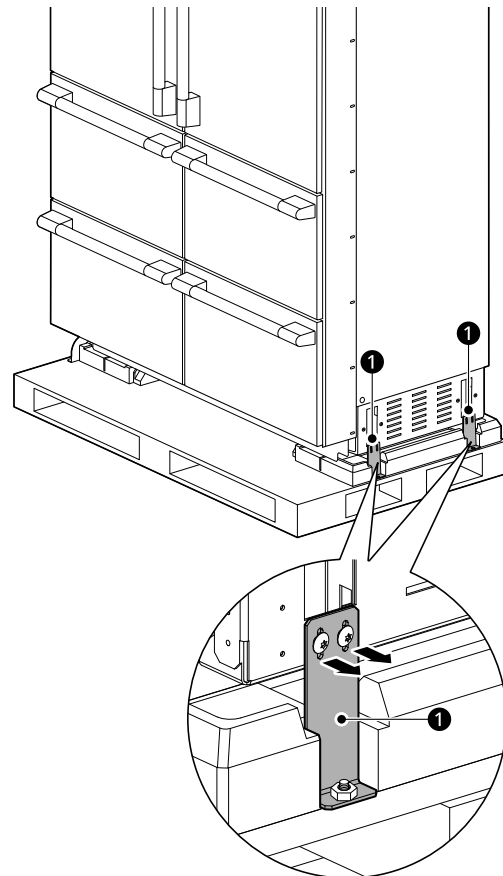
Compruebe si el aparato sufrió daños durante el transporte.

No instale el aparato si presenta daños visibles. En caso de duda, comuníquese con su distribuidor.

- 1 Retire la caja de embalaje con cuidado para no dañar la superficie del aparato.
- 2 Para evitar dañar el suelo, coloque cartón de embalaje o madera contrachapada debajo del aparato.
- 3 Retire los accesorios situados en los laterales y debajo del aparato.

- 4 Preparación de la instalación  
Desembale los materiales y accesorios de instalación.

- 5 Retire los soportes de transporte ❶ y levante el aparato del palé.  
Asegúrese de que las patas están replegadas antes de quitar el electrodoméstico del palé.



### NOTA

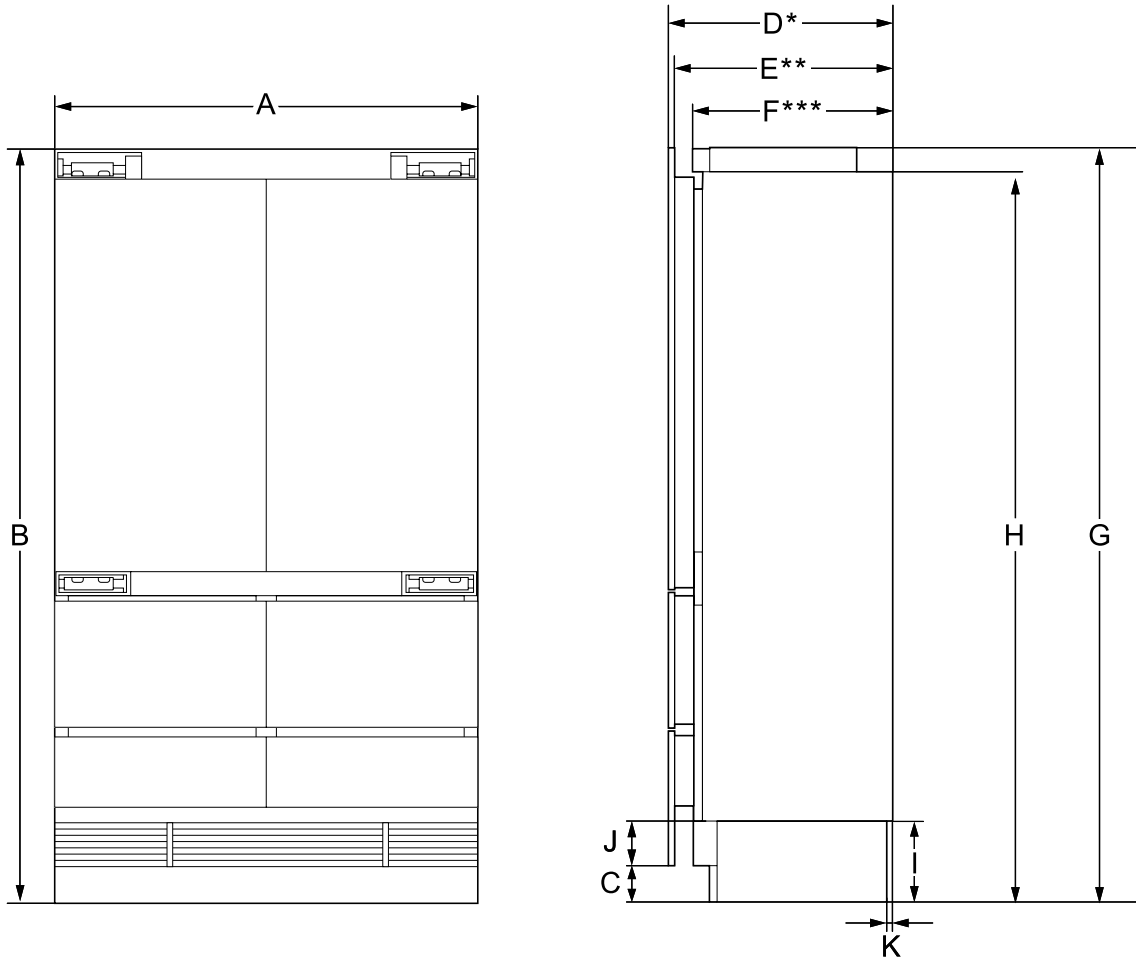
- Para evitar dañar las piezas, no retire los materiales protectores de transporte del interior del aparato hasta que haya finalizado la instalación.

### ⚠ PRECAUCIÓN

- El aparato es muy pesado. Se necesitan dos o más personas para levantarlo o moverlo.

## 14 INSTALACIÓN

### Dimensiones del producto



\* Profundidad con panel y manija

\*\* Profundidad con las puertas (sin panel)

\*\*\* Profundidad de la unidad sin las puertas

-	Dimensiones
A	47 1/4" (1200 mm) sin el panel
B	83 1/2" (2121 mm) a 84 3/16" (2138 mm)
C	4" (100 mm)
D	27 5/16" (694 mm) con el panel y manija
E	23 7/8" (607 mm) sin el panel
F	22" (558 mm) sin puerta
G	83 3/8" (2117 mm) a 84" (2134 mm)
H	80 3/4" (2050 mm) a 81 3/8" (2067 mm)
I	9" (229 mm)
J	4 13/16" (123 mm)
K	3/4" (19 mm)

## Traslado del aparato

### Instalación de los soportes antivuelco

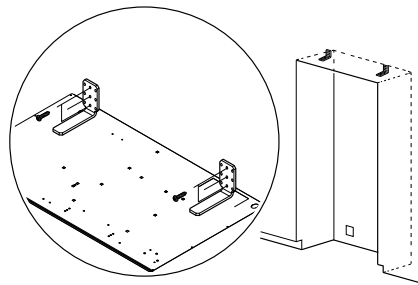
#### **⚠ ADVERTENCIA**

- Para evitar lesiones o daños, verifique que no haya cables eléctricos ni tuberías en las paredes antes de taladrar o colocar tornillos.
- Los soportes antivuelco deben estar bien fijados a una pared de hormigón/madera con un espesor de 9/16" (15 mm) o más, o a una pared con una resistencia equivalente. (La estructura donde se fije el soporte debe ser una estructura sólida que pueda soportar una fuerza de 154 lbf [70 kgf] o más).

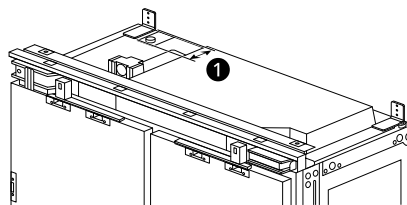
#### **⚠ PRECAUCIÓN**

- Para evitar lesiones, respete todas las medidas de seguridad durante la instalación, incluido el uso de gafas de seguridad y otras prendas de seguridad.

Instale los soportes antivuelco en la parte posterior de la estructura de los gabinetes, colocando los soportes según las ubicaciones de los espárragos y las dimensiones del producto y de la estructura.



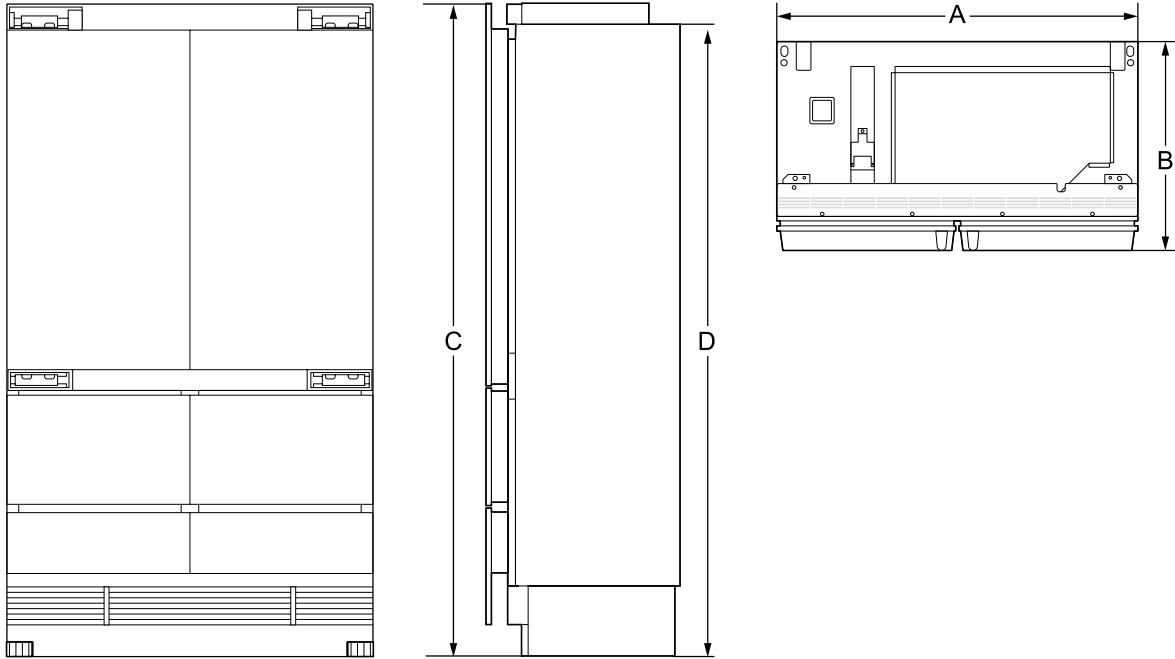
Los soportes antivuelco deben superponerse **1** un mínimo de 2 1/8" (54 mm) sobre el aparato para fijarlo.



- 1** Instale los soportes antivuelco en la parte posterior de la estructura, con la base de los soportes a 3 5/16" (84 mm) desde la parte superior de la estructura.

## 16 INSTALACIÓN

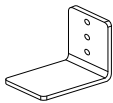
- 2** Asegúrese de que los soportes antivuelco estén firmemente sujetos a un espárrago u otra estructura que pueda soportar peso. No fije los soportes a paneles de yeso, bloques de hormigón u hormigón sin curar.  
Para mayor seguridad, al menos un soporte debe fijarse a un espárrago. Fije los soportes a espárragos siempre que sea posible dentro de la estructura. Use un mínimo de 3 tornillos o pernos para fijar cada soporte.



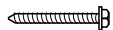
-	Dimensiones
A	47 1/4" (1200 mm)
B	27 5/16" (694 mm)
C	83 1/2" (2121 mm)
D	80 9/16" (2046 mm)

### NOTA

- Se necesitan 2 soportes antivuelco para cada aparato.



Soportes antivuelco (2 c/u)

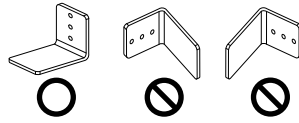


Tornillo para paredes de hormigón o madera  
5x45 (Hex.) (6 c/u)



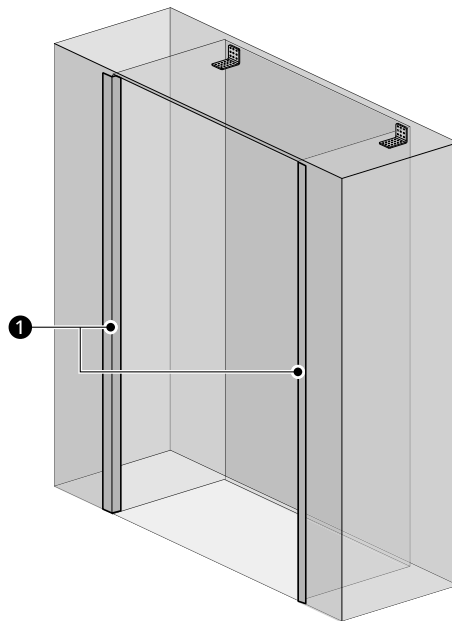
6x30 (6 c/u)

- Los soportes deben fijarse como se muestra a la continuación. Los soportes podrían no evitar el vuelco de la unidad si se los coloca orientados de otra manera.



## Protección de los bordes de la estructura

Para proteger los bordes delanteros de la estructura de los gabinetes, pegue con cinta un cartón delgado o algún otro material protector alrededor de los bordes.



- 1 Cubierta protectora

## Instalación del electrodoméstico en la estructura

### ⚠ ADVERTENCIA

- Es necesario que la instalación del aparato la realicen 2 o más personas. Tenga cuidado al mover el aparato. Es muy pesado y propenso a volcarse cuando no está sujeto.

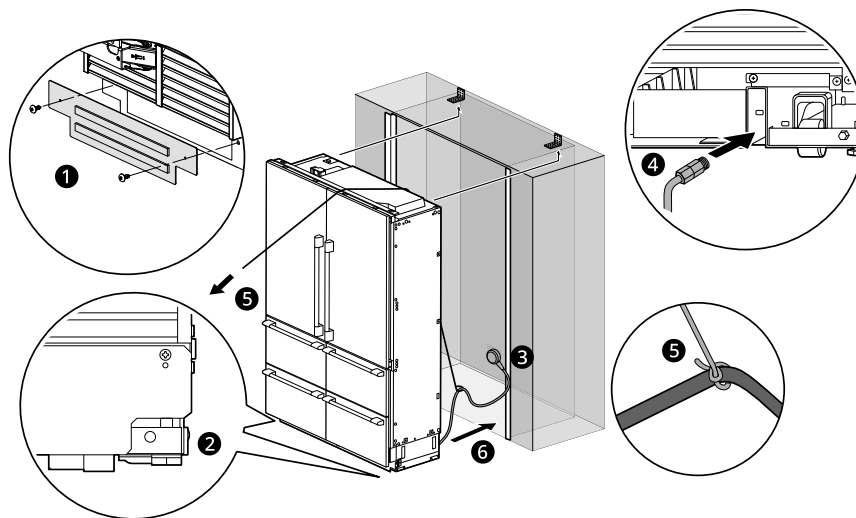
### ⚠ PRECAUCIÓN

- Sea cuidadoso para evitar dañar la línea de agua o el cable de alimentación cuando coloque el aparato en el interior de la estructura.
- Antes de mover la unidad a su posición, sujete la puerta y los cajones en posición cerrada y proteja los pisos con terminación.
- Use una carretilla o carro de carga para mover la unidad hasta cerca de la abertura.
- Antes de mover el electrodoméstico, repliegue completamente todas las patas de nivelación frontales y traseras.

## 18 INSTALACIÓN

### **⚠ PRECAUCIÓN**

- Cuando el electrodoméstico esté instalado, despliegue las patas de nivelación frontales y traseras por debajo de los rodillos para mejorar la estabilidad del electrodoméstico. No mueva el electrodoméstico con las patas desplegadas. Las patas de nivelación frontales y traseras pueden ser ajustadas desde la parte frontal cuando la unidad esté posicionada.
- Si la unidad ha estado apoyada en uno de sus laterales o en su parte posterior, debe permanecer en posición vertical durante un mínimo de 24 horas antes de que se la encienda.
- Después de colocar el aparato en su posición, verifique que los soportes antivuelco estén correctamente enchanchados.



- 1** Retire el panel de la base.
- 2** Repliegue todas las patas de nivelación frontales y traseras para que el electrodoméstico puede moverse hacia delante y hacia atrás con las ruedas.
- 3** Enchufe el cable de alimentación en la toma de corriente.
- 4** Para usar las máquinas de hielo o el dispensador de agua, se debe conectar el refrigerador al suministro de agua principal. De ser necesario, siga las instrucciones que se incluyen en Conexión del refrigerador al suministro de agua para conectar al suministro de agua principal del hogar antes de continuar con el paso 5.
- 5** Ate una cuerda larga alrededor del centro del cable de alimentación. Pase la cuerda por encima de la parte superior del aparato, tire de ella hasta que el cable de alimentación se mantenga en alto sobre el suelo, luego pegue la cuerda a la parte frontal del aparato para mantener el cable de alimentación apartado del suelo. No pellizque ni tire del cable de alimentación. Asegúrese de que todavía esté enchufado.
- 6** Mueva con cuidado el aparato hasta colocarlo en la estructura, asegurándose de no pellizcar el cable de alimentación ni la línea de agua debajo o detrás de la unidad. Si las líneas de agua se conectaron en la parte delantera del aparato, coloque las líneas de agua debajo de la parte delantera del aparato.



- 7 Retire la cuerda del cable de alimentación y la protección de los bordes de la estructura.

## Conexión del refrigerador al suministro de agua

### Antes de Iniciar

#### **⚠ PRECAUCIÓN**

- Para evitar inundaciones y daños materiales, desconecte la válvula de cierre de agua principal.
- Para prevenir quemaduras y daños al producto, únicamente conecte la línea de agua del refrigerador a un suministro de agua fría.
- Conecte únicamente a un suministro de agua potable.

Estas instrucciones presuponen que se dispone de una conexión de suministro de agua y una válvula de cierre para el refrigerador que se encuentra en la parte posterior de la estructura. Si es necesario, llame a un plomero calificado para que instale una línea de suministro de agua para el refrigerador.

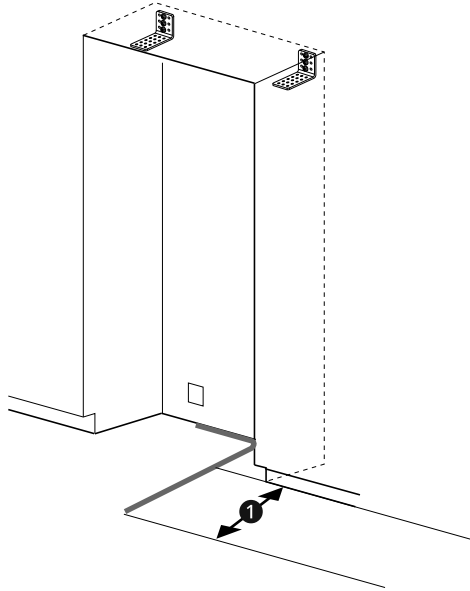
- 1 Conecte una línea de agua a la válvula de cierre en la parte posterior de la estructura.
  - Coloque la tuerca de compresión y el casquillo (manguito) en el extremo de la tubería y conéctelo a la válvula de cierre. Si usa un tubo PEX, es probable que este ya cuente con las adaptaciones necesarias en uno de sus extremos. Asegúrese de que la tubería quede completamente introducida dentro de la válvula. Apriete la tuerca de compresión de forma segura.
- 2 Enjuague el tubo sobre una cubeta.
  - Enjuague el tubo que parte del suministro de agua de la vivienda hasta que el agua salga clara. Cierre el agua en la válvula de agua cuando haya pasado alrededor de 1/4 de agua por el tubo.

#### **NOTA**

- Si conecta a una línea de agua de cobre detrás del refrigerador, asegúrese de que la línea de agua sea lo suficientemente larga para permitirle empujar el refrigerador hacia afuera de la estructura para repararlo. Para determinar cuánta tubería necesita, mida la distancia desde la válvula de agua en la parte delantera del refrigerador hasta la cañería de suministro de agua y agregue 8 pies. Necesitará una cañería adicional de al menos 6 a 8 pies, enrollada en vueltas, para permitir movimiento al refrigerador desde la pared luego de la instalación.
- Si usa una línea de agua flexible o PEX, puede encaminarla debajo del refrigerador y conectar la línea de agua principal a la línea de agua del refrigerador en la parte delantera (Consulte el diagrama). Se recomienda una línea de agua de 6 pies para las conexiones delanteras.

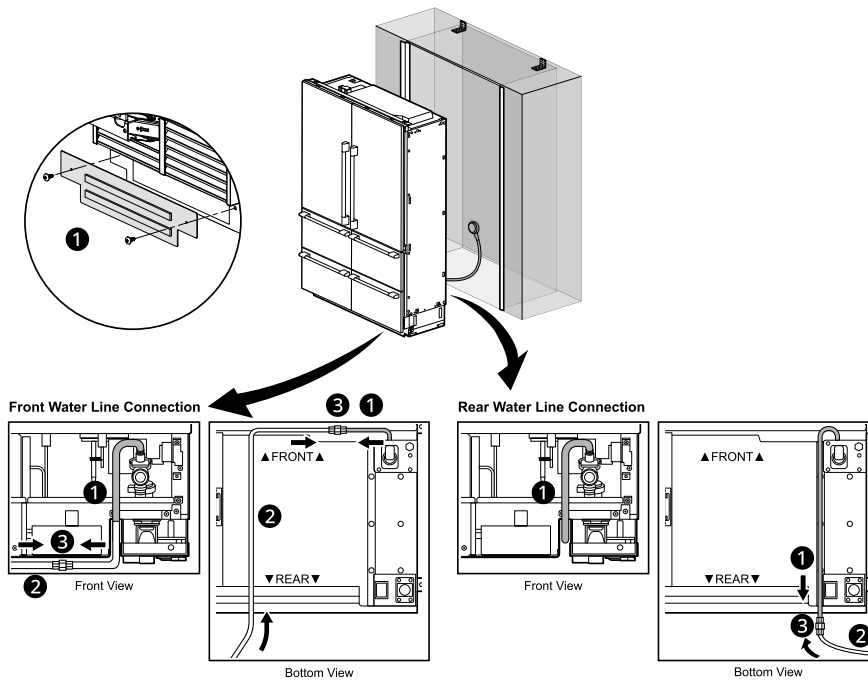
## 20 INSTALACIÓN

Cuando traslade el refrigerador a la estructura, asegúrese de comprobar las dimensiones indicadas para evitar dañar la línea de agua.



1 >14" (355 mm)

### Conexión de la línea de agua al refrigerador



#### NOTA

- Previo a llevar a cabo la conexión del refrigerador, asegúrese de que el cable de energía de este no esté conectado al enchufe de la pared.

## 1 Extienda las líneas de agua.

- Si conectó una línea de agua de cobre ② a la válvula de cierre en la parte posterior de la estructura, empuje la línea de agua flexible ① conectada a la parte delantera del refrigerador a través del canal en la parte delantera del aparato hasta que salga por la parte posterior del aparato. De esta manera conectará las dos líneas de agua (① y ②) en la parte posterior del aparato.
- Si conectó una línea de agua flexible o PEX ② a la válvula de cierre en la parte posterior de la estructura, empuje esa línea a través del canal en la parte posterior del aparato hasta que salga por la parte delantera del aparato. De esta manera conectará las dos líneas de agua (① y ②) en la parte delantera del aparato.

### **⚠ PRECAUCIÓN**

- No retuerza las líneas de agua. De esa manera se corre el riesgo de que se produzcan fugas y daños por agua.

## 2 Ahora está listo para conectar las dos líneas de agua.

## 3 Quite el tapón de plástico flexible del extremo de la línea de agua ① sujeta al refrigerador.

## 4 Coloque la tuerca de compresión y el casquillo (manguito) en el extremo de la línea de agua principal. Si está utilizando un kit de conexión PEX, es probable que este ya cuente con las adaptaciones necesarias.

## 5 Conecte la línea de agua principal a la línea de agua del refrigerador. Mientras sujeta la tubería, atornille los accesorios a mano. Ajuste los accesorios usando la llave de boca fija que se proporciona. No ajuste en exceso la tuerca ③.

## 6 Encienda el suministro de agua y verifique que no haya fugas en todas las conexiones.

## 7 Proceda con el paso 5 de la Instalación del electrodoméstico en la estructura.

# Nivelación y sujeción del aparato

## Alineación y nivelación del aparato

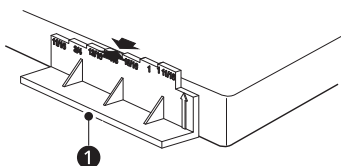
### Ajuste de la profundidad

Ajuste la profundidad de la unidad en la estructura a fin de que los paneles de las puertas queden al ras con respecto a los gabinetes que las rodean. Use la herramienta de medición proporcionada para un ajuste preciso.

## 1 Mida el espesor de los paneles de puerta decorativos con la herramienta de medición.

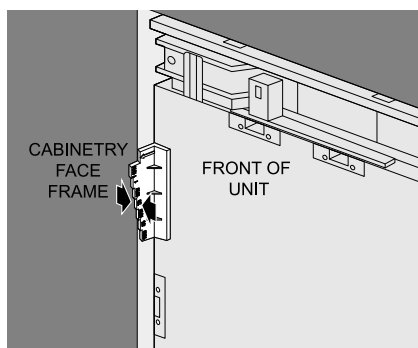
Coloque el panel de la puerta sobre una superficie plana y protegida y coloque la herramienta de medición ① junto al panel. Seleccione en la herramienta de medición la muesca que coincida con el espesor del panel de la puerta.

## 22 INSTALACIÓN



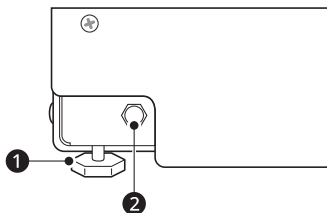
### 2 Use la marca de la herramienta de medición para ajustar la profundidad del aparato en la estructura.

Coloque la herramienta de medición contra la puerta cerrada del aparato, en el lateral de la estructura. La muesca marcada en la herramienta de medición debe alinearse con el borde frontal de la estructura.



### Ajuste de la altura

Las patas de nivelación delanteras y traseras se pueden ajustar ambas desde adelante.



- 1 Ajuste frontal
- 2 Ajuste posterior

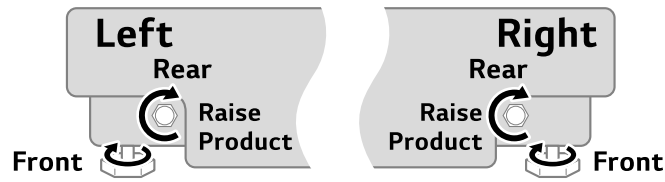
### Nivelando

Una vez que el aparato esté alineado correctamente en la estructura, nivélelo usando las patas de nivelación delanteras y traseras.

#### NOTA

- Si nivela el aparato correctamente, no tendrá que hacer tantos ajustes en las puertas y cajones.
- Use un nivel de burbuja en lugar de los gabinetes de alrededor para determinar si el producto está nivelado.

- 1 Use la llave incluida en el producto y una llave M8 para extender las patas de nivelación delanteras y posteriores hasta que estén en contacto firme con el piso.



- 2 Gire la tuerca hacia la derecha, como se muestra arriba, para levantar el aparato. Gire la tuerca hacia la izquierda para bajarlo.
- 3 Asegúrese de que el peso del refrigerador recaiga sobre las patas, no sobre las ruedas.
- 4 Use una aplicación de nivelación para teléfonos inteligentes o coloque un nivel de carpintero en la parte superior y los laterales del aparato para comprobar que esté nivelado y a plomo. O use la herramienta de medición provista para medir la distancia del borde inferior del aparato desde el piso en las esquinas delanteras.

**⚠ ADVERTENCIA**

- Para reducir la posibilidad de que la unidad se incline hacia adelante, las patas de nivelación delanteras deben estar en contacto con el piso.

**⚠ PRECAUCIÓN**

- Si usa un taladro eléctrico, utilice el ajuste de torque más bajo.
- El ajuste de altura máximo es de 11/16" (17 mm).

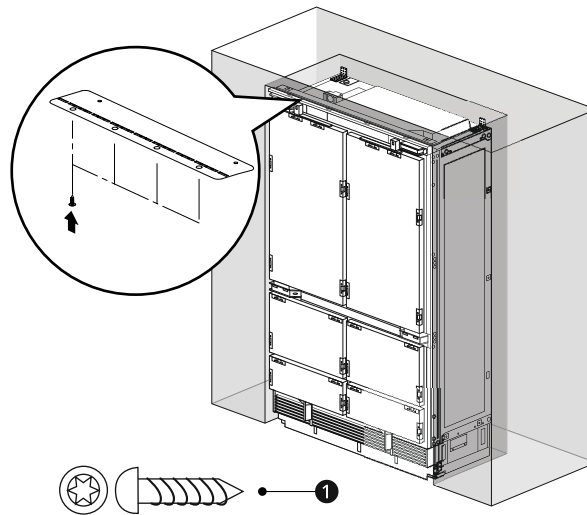
## 24 INSTALACIÓN

### Cómo fijar el aparato a la estructura

#### ⚠ ADVERTENCIA

- Para evitar vuelcos, el aparato debe fijarse a la parte superior de la estructura y los soportes antivuelco deben estar enganchados.
- La parte superior de la estructura debe estar construida de un material sólido (no de MDF) y contar con un grosor de 5/8" (16 mm) como mínimo.

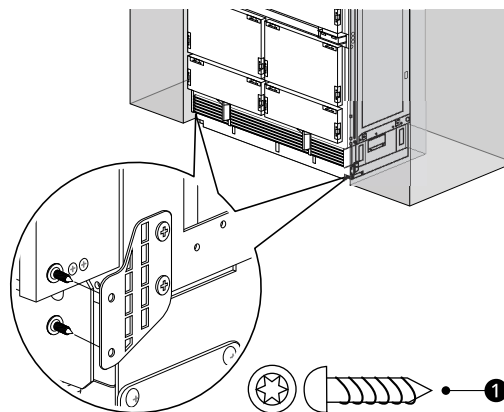
- 1 Fije las lengüetas del soporte de seguridad situado en la parte superior del aparato a la parte superior de la caja.



- 1 4X15 (4 c/u)

- 2 Si hay mucho espacio entre la parte superior del aparato y la parte superior de la caja, inserte un trozo de madera entre las lengüetas y la parte superior de la estructura para rellenar el espacio.

- 3 Fije los soportes laterales de seguridad a los laterales de la caja.

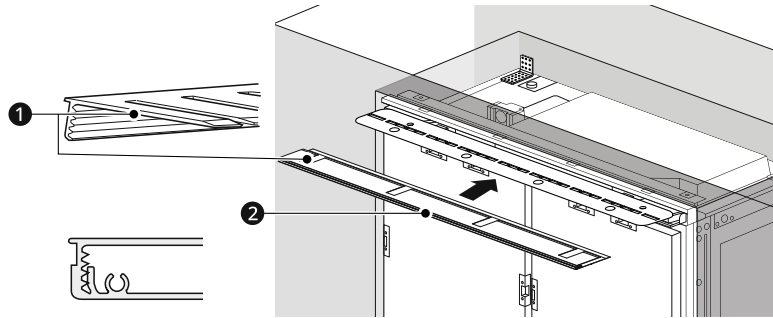


- 1 4X15 (4 c/u)

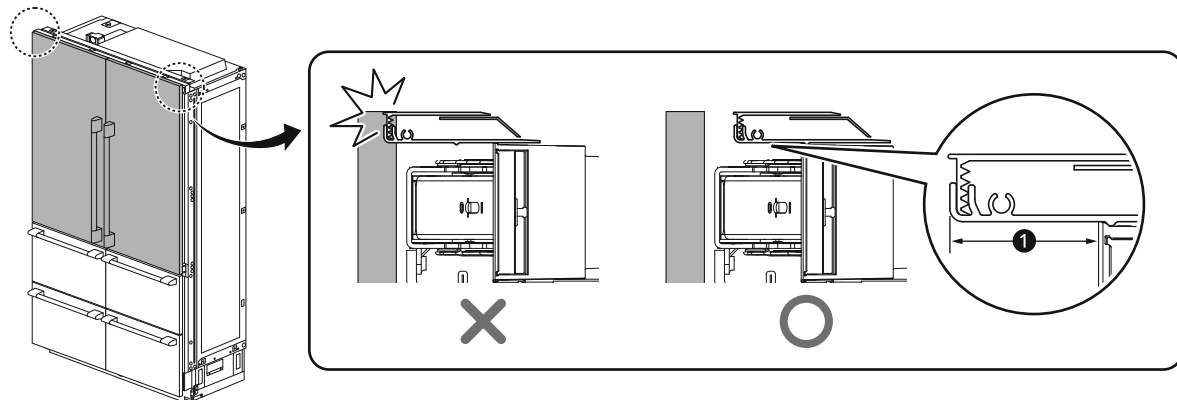
**NOTA**

- Si instala dos aparatos uno al lado del otro, fíjelos entre sí con ayuda del kit de fijación. Fíjelos a los laterales de la caja como si se tratara de una sola unidad.

- 4 Deslice la pieza superior del conjunto de llenado frontal ① en la parte superior del aparato hasta que encaje con el soporte de seguridad superior.
- 5 Una vez colocada la pieza superior del conjunto de llenado, deslice la base del conjunto de llenado por debajo y encaje la parte superior en la base ②.

**NOTA**

- Si instala dos aparatos uno al lado del otro, fije ambas cubiertas superiores con ayuda del perno incluido en el paquete de accesorios.



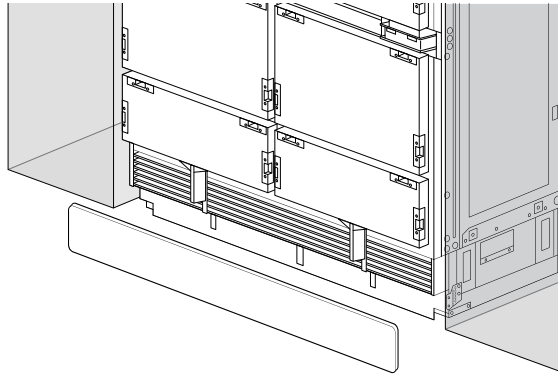
① 1 5/8" (41.5 mm)

## 26 INSTALACIÓN

### Cómo fijar el panel del zócalo

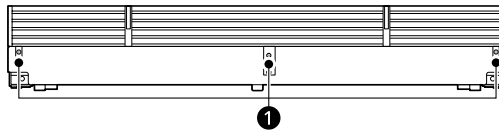
#### **⚠ PRECAUCIÓN**

- Para evitar dañar el aparato, no bloquee las ranuras de ventilación del panel de la base.



#### Panel del zócalo de acero inoxidable

- 1 Atornille el panel base al aparato.
- 2 Retire la película protectora del adhesivo de las bandas magnéticas suministradas.
- 3 Pegue las tiras magnéticas en la parte posterior del panel del zócalo de acero inoxidable.
- 4 Fije el zócalo de acero inoxidable al panel base con ayuda de las bandas magnéticas.



- 1 Tornillo

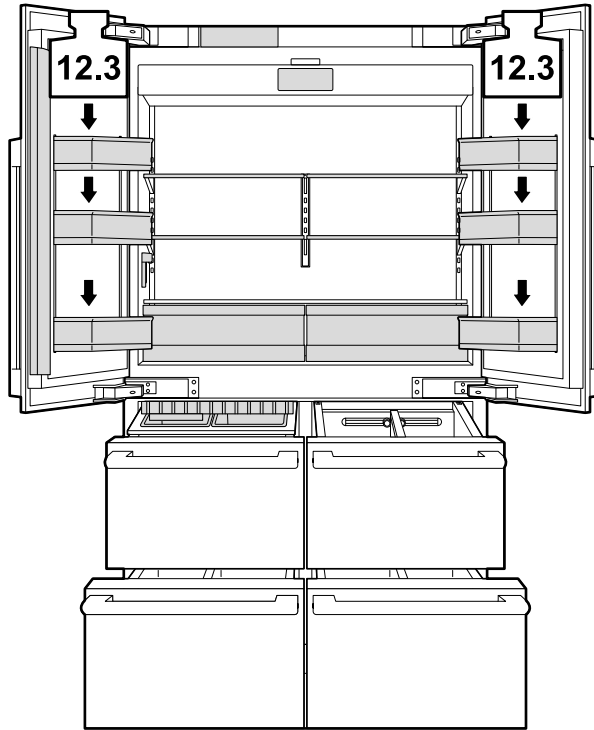
#### Carga de la puerta del aparato

Para obtener resultados precisos, antes de fijar los paneles de la puerta, cargue los compartimentos de la puerta con pesos para asegurarse de que el ancho del espacio sigue siendo el correcto después de almacenar los alimentos en la puerta.

- Recomendaciones:
  - Total: 74.1 lb/33.6 kg



- Cada compartimento: 12.3 lb/5.6 kg



ESPAÑOL

## 28 INSTALACIÓN

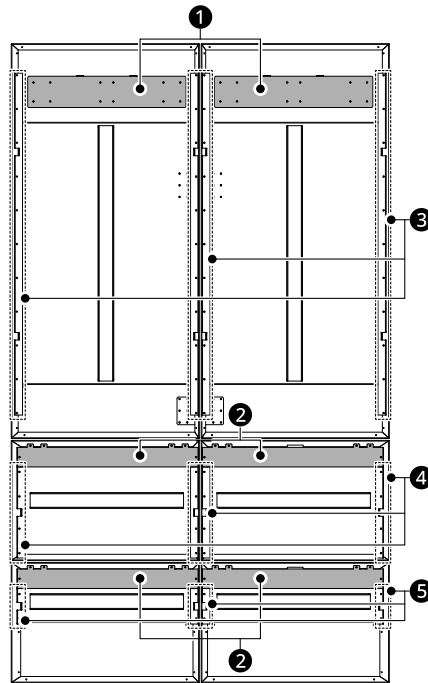
# Paneles y molduras

## Ajuste de los paneles de la puerta

Ahora se pueden hacer los ajustes finos para alinear los paneles de la puerta.

### NOTA

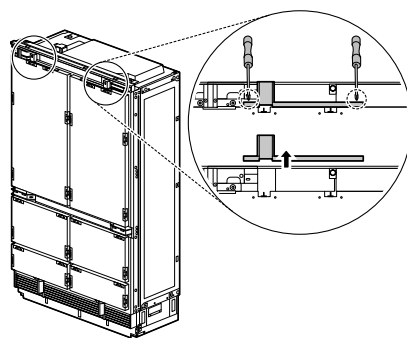
- Fije los soportes a los paneles de las puertas antes de ajustarlos.



- 1 Soporte para puerta francesa
- 2 Soporte para cajón
- 3 Soporte lateral para puerta francesa
- 4 Soporte lateral para cajón superior
- 5 Soporte lateral para cajón inferior

## Ajuste de los paneles de la puerta del refrigerador

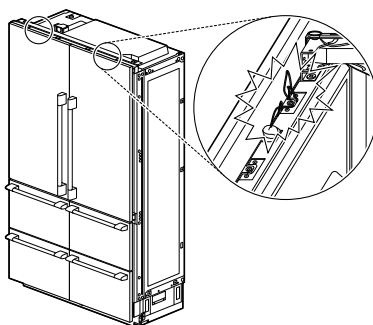
- 1 Desmonte la tapa del interruptor de la puerta antes de montar los paneles de la puerta del refrigerador.



- 2** Para ajustar los paneles de la puerta del refrigerador, siga las instrucciones que se indican para ajustar los paneles de la puerta del cajón.

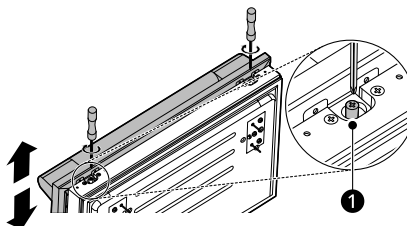
#### NOTA

- Para evitar dañar los mazos de cables, aparte las cubiertas de los interruptores de las puertas y los mazos de cables durante el montaje de los paneles de las puertas del refrigerador.



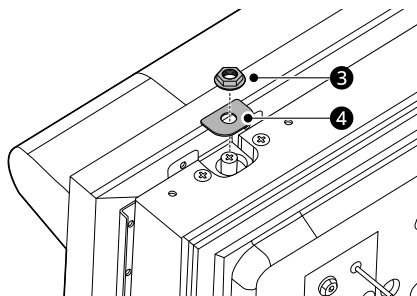
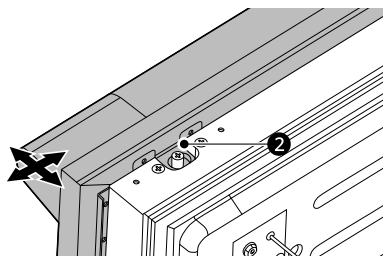
### Ajuste de los paneles de la puerta del cajón

- 1** Para ajustar el panel de la puerta en sentido vertical, ajuste **1**. Gire **1** hacia la izquierda para elevar el panel. Gire **1** hacia la derecha para bajar el panel.

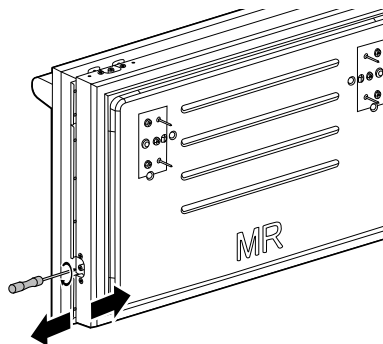


- 2** Para ajustar el panel de la puerta en sentido horizontal o hacia delante y hacia atrás, deslice el panel en los orificios ranurados como corresponda. A continuación, monte las tuercas **3** y la arandela **4** en los pernos **2** y apriételas.

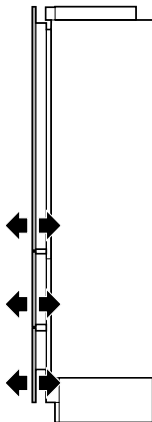
## 30 INSTALACIÓN

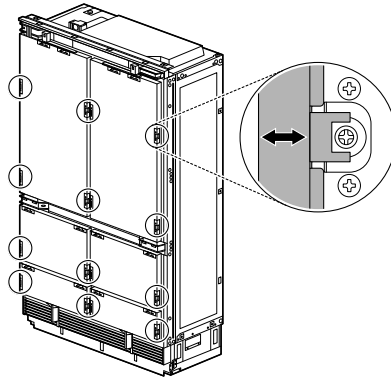


- 3** Para ajustar el panel de la puerta en sentido diagonal, ajuste el tornillo en el lateral.

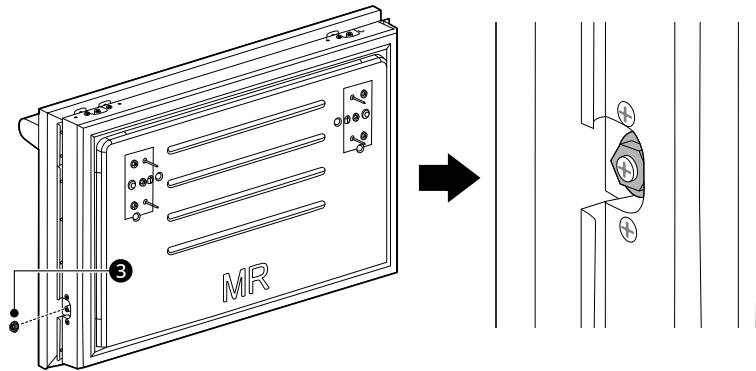


- 4** Para ajustar la inclinación del panel de la puerta en la vista lateral del refrigerador, deslice el panel en los orificios ranurados como corresponda.



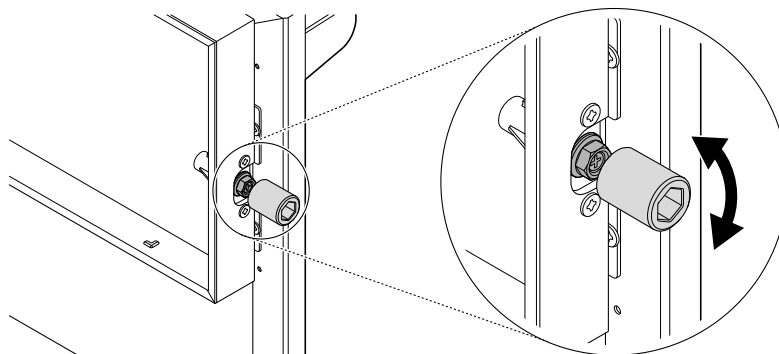


- 5** Una vez que los paneles estén ajustados como corresponda, apriete las tuercas **3** con la llave suministrada o con una llave fija o de estrella de 12 mm.



**NOTA**

- Gire la tuerca del lateral de la puerta en el sentido de las agujas del reloj para apretarla.

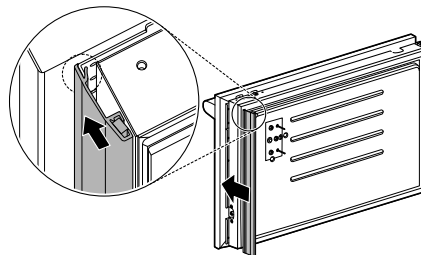


**Instalación de las molduras de la puerta**

- Una vez que se hayan ajustado los paneles, instale la moldura lateral decorativa en las puertas.

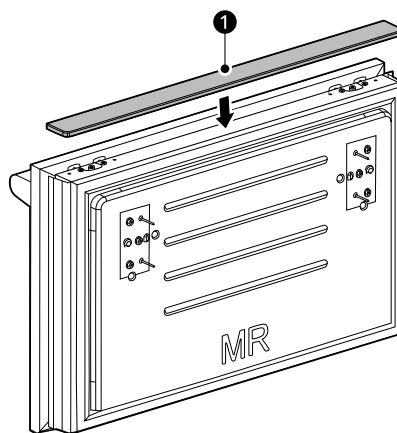
## 32 INSTALACIÓN

- Para instalarla, alinee la moldura con las bridas delantera y posterior del soporte y, a continuación, encaje la moldura en su sitio empujándola hacia la parte trasera del panel. La parte trasera de la moldura tiene un imán que permite fijarla a la puerta.



### Instalación de la moldura superior (acabado) en la parte frontal de los cajones

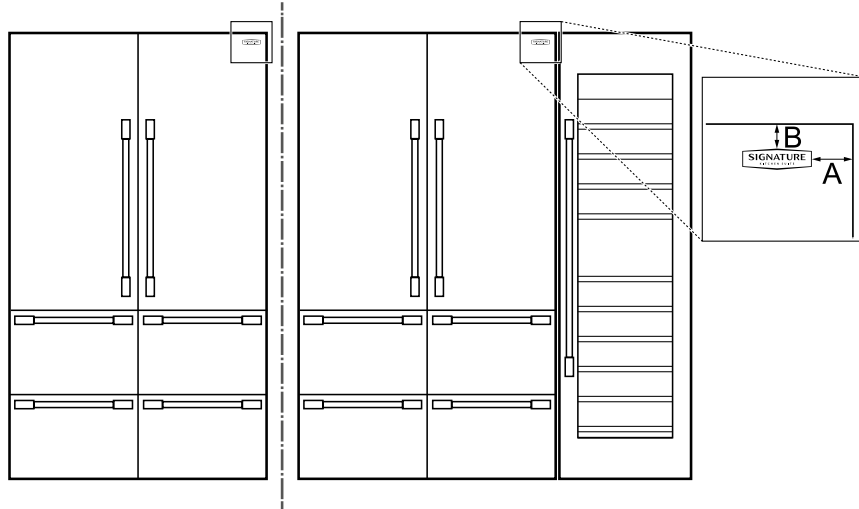
- Ensamble la moldura superior ❶ en la parte superior de la parte frontal del cajón. Repita la operación con todas las partes frontales de los cajones.



- ❶ Moldura superior

### Colocación de la insignia

Coloque la insignia en una posición que esté a 1 3/16" (30 mm) de la parte superior del panel de la puerta derecha y a 1 3/16" (30 mm) del lado derecho en sentido horizontal.



-	Dimensiones
A	1 3/16" (30 mm)
B	1 3/16" (30 mm)

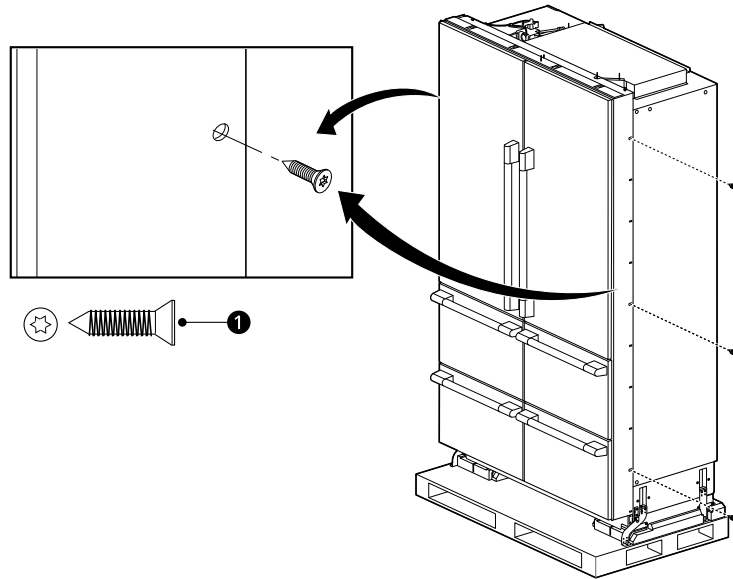
## 34 INSTALACIONES ESPECIALES

# INSTALACIONES ESPECIALES

## Accesorios suministrados

### Accesorio del kit de marco

Para instalaciones a ras, remueva el kit de marco del producto. Para instalaciones actualizadas o de sustitución, mantenga el kit de marco fijado al producto.



Al ras	Sobresaliente

## Puerta ajustable

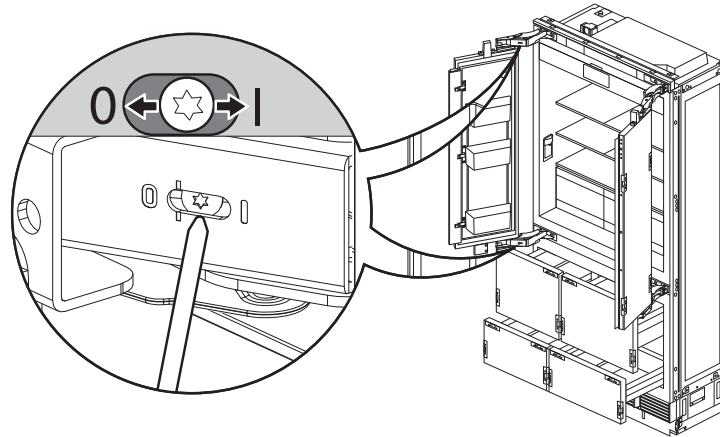
### Ajuste del resorte de la puerta

Gire el tornillo de ajuste con la punta T20 suministrada. Se recomienda aplicar el máximo de tensión al resorte.

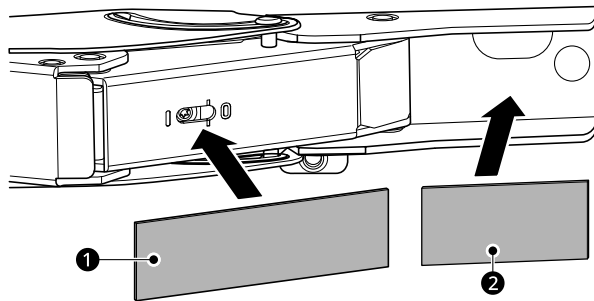
- I = máximo de tensión del resorte



- 0 = sin tensión del resorte

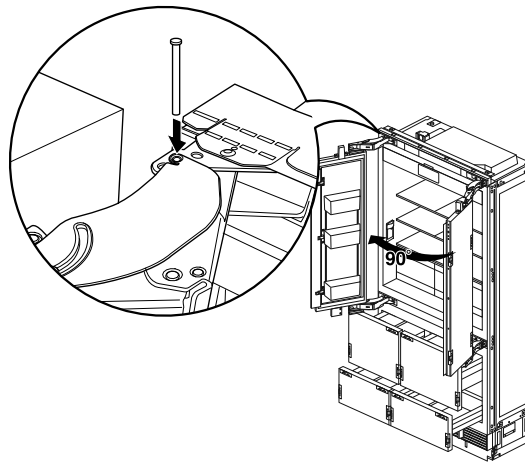


(Opcional) Después de ajustar el resorte de la puerta, fije las láminas de plástico gris para ocultar los tornillos de ajuste ❶ y los orificios de las bisagras ❷.



### Ajuste del tope de puerta

La posición predeterminada del tope de puerta es 115°. Siga estas instrucciones para cambiar la posición del tope de puerta a 90°.



- 1 Abra la puerta a 90°.

## 36 INSTALACIONES ESPECIALES

---

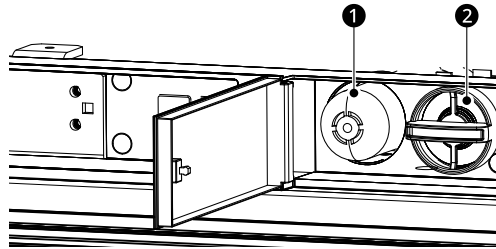
- 2 Inserte el pasador del tope de puerta en los orificios que ahora están alineados en la parte posterior de la bisagra. Use un mazo de goma para insertar completamente el pasador.

## Filtro de agua

### Derivación del filtro de agua

Al quitar el filtro de agua, el aparato pasa automáticamente al modo de derivación de filtro. Esto permite que el aparato funcione sin filtro de agua.

### Extracción del filtro de agua



❶ Filtro de agua

❷ Tapa

1 Empuje ligeramente la puerta de acceso al filtro de agua para abrirla.

2 Utilice el tapón para girar el filtro de agua hacia la izquierda y extraígallo. Consulte el manual del propietario para ver instrucciones detalladas.

## Instalación lado a lado

### Instalación al ras

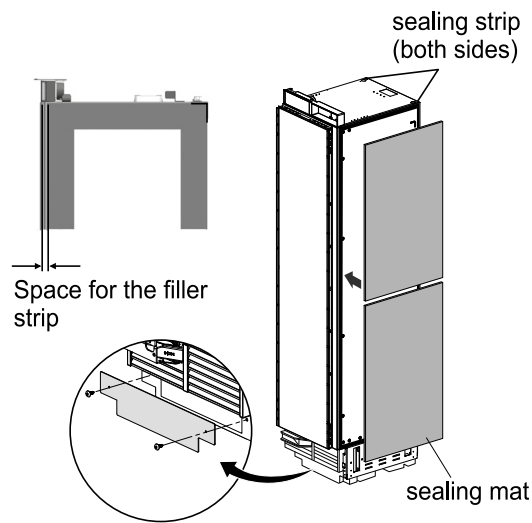
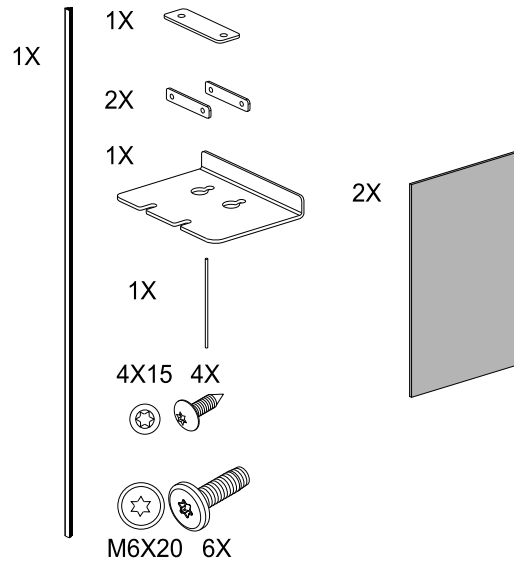
#### Espacios libres en la instalación al ras

##### NOTA

- Cuando se instalan productos con un tabique entre ellos, se debe seguir el procedimiento de instalación estándar. Para evitar interferencias entre las puertas, el tamaño mínimo del tabique debe ser de 6" (15.2 cm)
- Cuando se instalan 2 productos uno al lado del otro con una apertura de puerta izquierda y otra derecha, se requiere un espacio libre de 1/16" (2 mm) entre los productos. Esto es válido tanto para instalaciones nuevas como para instalaciones posteriores.

## 38 INSTALACIONES ESPECIALES

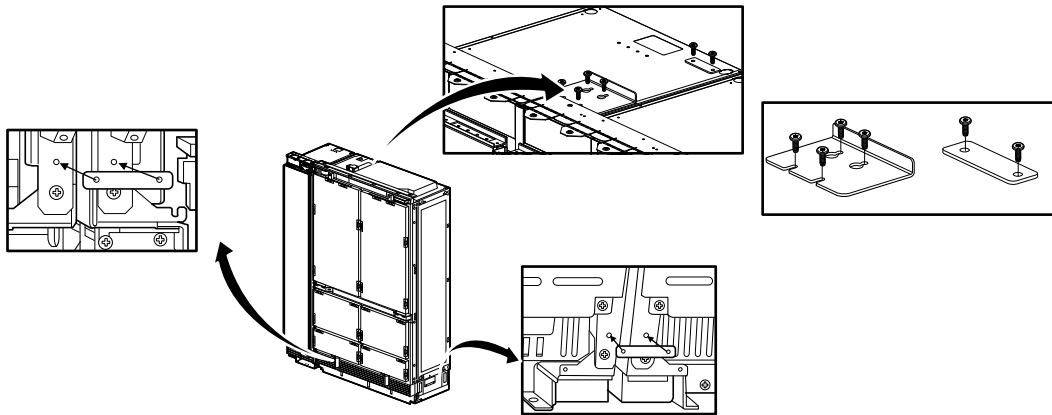
En una instalación al ras lado a lado, debe usarse un kit de unificación para sellar los aparatos entre sí. Todos los congeladores en columna incluyen un kit de unificación. El kit contiene una esterilla de sellado que ayuda a evitar que se forme condensación entre los dos aparatos.



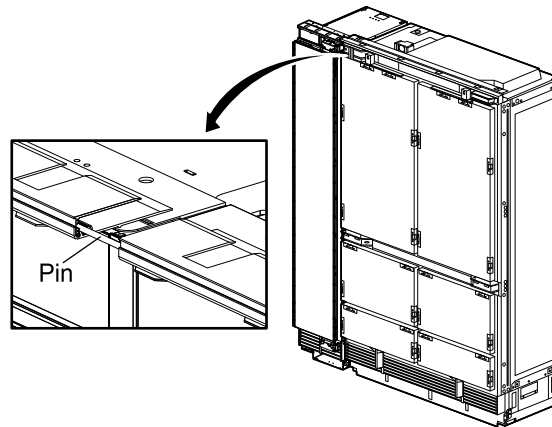
- 1** Desembale el kit de unificación y asegúrese de que no falte ningún accesorio.
- 2** Coloque los aparatos cerca unos de otros en la configuración de instalación prevista.
- 3** Retire los paneles base de ambos aparatos.
- 4** Coloque la esterilla de sellado incluida en el lado del congelador que da al refrigerador. (La esterilla de sellado debe quedar entre los dos aparatos una vez conectados.)  
 Instale la esterilla de sellado gris sobre las tiras de sellado negras preinstaladas de forma que el borde de la esterilla quede a ras del borde trasero del congelador. Esto dejará un poco de espacio libre en el borde delantero para encajar la tira de relleno entre los dos aparatos.

En la página principal de Signature Kitchen Suite ([www.signaturekitchensuite.com](http://www.signaturekitchensuite.com)) se pueden adquirir kits de unificación adicionales. El número de pieza del kit es SKSFJ800P.

- 5** Coloque los aparatos uno al lado del otro. Fije los dos aparatos entre sí con la ayuda de soportes de conexión instalados entre los dos aparatos en la parte superior e inferior.



- 6** Inserte el pasador suministrado en ambos rieles de cubierta en la parte superior de las unidades combinadas.



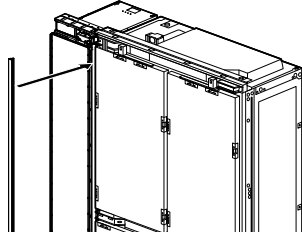
#### NOTA

- Si se instalan posteriormente columnas de 18" y 36" en una estructura de 53 1/2" (1359 mm) de ancho, se debe recortar 1/4" (6.4 mm) de un lado de ambos rieles de cubierta.

- 7** Inserte la tira de relleno en el espacio entre los aparatos. La tira de relleno viene incluida con el kit de unificación.

## 40 INSTALACIONES ESPECIALES

---





# MANUEL D'INSTALLATION

# RÉFRIGÉRATEUR INTÉGRÉ

Veillez lire attentivement le présent manuel d'installation avant d'installer l'appareil et conservez-le à portée de la main pour le consulter en tout temps.

**FRANÇAIS**

SKSFD4826SP

[www.signaturekitchensuite.com](http://www.signaturekitchensuite.com)

Copyright © 2024 Signature Kitchen Suite. Tous droits réservés

2

## TABLE DES MATIÈRES

### 3 CONSIGNES DE SÉCURITÉ IMPORTANTES

#### 3 LISEZ TOUTES LES CONSIGNES AVANT L'UTILISATION

3 Messages de sécurité

#### 3 AVERTISSEMENTS

3 Installation

4 Branchement électrique

#### 5 MISES EN GARDE

5 Général

### 6 AVANT L'INSTALLATION

#### 6 Choix de l'emplacement d'installation

6 Température et humidité

6 Dispositifs anti-basculement

6 Encastrement

6 Plancher

7 Exigences électriques

7 Mise à la terre

7 Raccordement de l'eau

#### 7 Dimensions et dégagements

7 Dimensions de découpe

9 Dégagements pour l'installation

10 Dimensions des panneaux en acier inoxydable

10 Accessoires pour l'installation affleurante ou en saillie

#### 11 Accessoires et outils requis

11 Accessoires

11 Outils

### 13 INSTALLATION

#### 13 Préparation pour l'installation

13 Déballage

14 Dimensions de l'appareil

#### 15 Déplacement de l'appareil dans l'encastrement

15 Installation des supports anti-basculement

17 Protection des bords de l'encastrement

17 Installation de l'appareil dans l'encastrement

#### 19 Raccord du réfrigérateur à l'alimentation en eau

19 Avant de commencer

20 Raccord de l'arrivée d'eau au réfrigérateur

#### 21 Mise à niveau et fixation de l'appareil

21 Alignement et mise à niveau de l'appareil

24 Fixation de l'appareil à l'encastrement

26 Fixation du panneau coup-de-pied

26 Remplissage de la porte de l'appareil

#### 28 Panneaux et garniture

28 Ajustement des panneaux de porte

31 Installation de la garniture de porte

33 Fixation de l'insigne

### 34 INSTALLATIONS SPÉCIALES

#### 34 Accessoires

34 Kit de cadre Accessoire

#### 34 Ajustement de la porte

34 Ajustement du ressort de porte

35 Ajustement de la butée de porte

#### 37 Filtre à eau

37 Dérivation du filtre à eau

#### 37 Installation côte à côte

37 Installation affleurante



# CONSIGNES DE SÉCURITÉ IMPORTANTES

## LISEZ TOUTES LES CONSIGNES AVANT L'UTILISATION

FRANÇAIS

### Messages de sécurité

**Il est très important d'assurer votre sécurité et celle des autres.**

Nous fournissons de nombreux conseils de sécurité importants dans ce manuel et sur votre appareil. Lisez toujours l'ensemble des messages de sécurité et respectez-les.



Ceci est le symbole d'alerte de sécurité.

Ce symbole vous alerte de dangers potentiels qui peuvent causer la mort ou des blessures. Tous les messages de sécurité seront précédés du symbole d'alerte de sécurité et du terme AVERTISSEMENT ou MISE EN GARDE.

Voici le message que ces mots véhiculent :



#### AVERTISSEMENTS

Vous pouvez être tué ou gravement blessé si vous ne suivez pas les consignes.



#### MISES EN GARDE

Vous pouvez être légèrement blessé ou pouvez endommager le produit si vous ne suivez pas les consignes.

Tous les messages de sécurité vous indiqueront quel est le danger potentiel, comment réduire les risques de blessures et ce qui peut se produire en cas de non-respect des consignes.

## AVERTISSEMENTS

- **RISQUE DE BASCULEMENT**
  - L'appareil est très lourd. S'il se renverse, il peut causer des dommages, des blessures graves ou la mort. N'ouvrez pas les portes ou les tiroirs avant que l'appareil ne soit adéquatement installé.
  - Au moins deux personnes sont nécessaires pour déplacer et installer le réfrigérateur. Pour éviter que le réfrigérateur bascule, installez les supports anti-basculement (fournis). Le non-respect des consignes d'installation du réfrigérateur peut entraîner des blessures graves ou la mort.
- Pour réduire les risques d'incendie, de décharge électrique ou de blessures corporelles lors de l'utilisation de cet appareil, vous devez toujours suivre les précautions de sécurité de base, y compris celles qui suivent. Lisez toutes les consignes avant d'utiliser cet appareil.

## Installation

- Ces appareils ne sont pas conçus pour être utilisés de manière non encastrée. Cela risquerait d'entraîner un basculement, des blessures corporelles ou des dommages matériels.
- N'installez pas le réfrigérateur près d'un poêle au gaz, d'un chauffe-eau ou de toute autre source d'inflammation qui pourrait éventuellement laisser échapper du gaz. N'installez pas l'appareil à la lumière directe du soleil. Installez-le dans un endroit bien ventilé.
- Assurez-vous que les dimensions de l'encastrement permettent une circulation d'air suffisante sur les côtés et à l'arrière de l'appareil. N'obstruez pas l'entrée d'air à l'avant. Le non-respect de ces consignes peut entraîner un dysfonctionnement de l'appareil.
- L'encastrement doit être fait de matériaux suffisamment solides pour éviter tout dommage au cours de l'installation et en cas d'utilisation fréquente.
- Les matériaux des armoires doivent être en mesure de résister à la chaleur et à l'humidité produites pendant le fonctionnement et l'utilisation de l'appareil, sans se tordre ni se déformer.
- Installez l'appareil sur une surface ferme et plane qui peut supporter le poids de l'appareil sans se plier. L'appareil doit être au niveau autant horizontalement que verticalement.

## 4 CONSIGNES DE SÉCURITÉ IMPORTANTES

---

- Gardez les enfants éloignés de l'endroit où se déroule l'installation.
- N'utilisez pas de rallonge ou de barre d'alimentation avec cet appareil.
- N'installez pas le réfrigérateur dans un endroit humide ou dans un endroit où il serait exposé à l'eau courante. Une détérioration de l'isolement des pièces électriques pourrait survenir, entraînant un risque de décharge électrique.
- Branchez l'appareil à une source d'eau potable seulement. De l'eau non potable peut causer des problèmes de santé.
- Lorsque vous placez l'appareil, veillez à ce que le cordon d'alimentation ne soit pas coincé ou endommagé.
- Ne placez pas de prises de courant multiples ou de blocs d'alimentation portables à l'arrière de l'appareil.

### Branchement électrique

- **En cas de branchement sur un circuit protégé par des fusibles, utilisez un fusible à retardement.**
- **Utilisez une prise de courant dédiée.**
  - Le branchement de plusieurs appareils sur une seule prise de courant peut provoquer un incendie.
- **Branchez la fiche d'alimentation en orientant le cordon d'alimentation vers le bas.**
  - Le non-respect de cette consigne peut endommager la fiche ou le cordon, ce qui peut entraîner un incendie ou une décharge électrique.
- **Lorsque vous installez ou que vous déplacez le réfrigérateur, soyez prudent et évitez d'écraser le cordon d'alimentation ou de l'endommager. Ne coinciez pas ou n'écrasez pas le cordon ou la fiche lorsque vous poussez le réfrigérateur.**
  - Cela pourrait entraîner un incendie ou une décharge électrique.
- **Évitez de plier, d'écraser ou d'endommager le cordon d'alimentation. Ne laissez pas le cordon d'alimentation sous des objets lourds comme des meubles, d'autres appareils ou dans des endroits très passants.**
  - Cela pourrait endommager le cordon d'alimentation et entraîner un incendie ou une décharge électrique.
- **Ne rallongez pas ou ne modifiez pas le cordon d'alimentation.**
  - Utilisez seulement une pièce de rechange d'origine identique pour éviter de causer des problèmes électriques, un incendie ou une décharge électrique.
- **Coupez l'alimentation avant de nettoyer ou de déplacer le réfrigérateur.**
  - Le non-respect de cette consigne peut entraîner une décharge électrique ou des blessures.
  - Appuyez sur la touche MARCHE/ARRÊT pendant trois secondes pour couper l'alimentation du panneau d'affichage.
- **Ne débranchez pas le cordon d'alimentation et ne touchez pas à la fiche d'alimentation si vos mains sont mouillées.**
  - Cela peut entraîner une décharge électrique ou des blessures.
- **Enlevez l'eau et la poussière de la fiche d'alimentation et insérez-la correctement dans la prise murale.**
  - La poussière, l'eau ou un mauvais branchement peut entraîner un incendie ou une décharge électrique.
- **Ne débranchez pas le réfrigérateur en tirant sur le cordon d'alimentation.**
  - Cela pourrait entraîner une décharge électrique ou un court-circuit provoquant un incendie.
- **N'utilisez pas le cordon d'alimentation ou la fiche d'alimentation s'ils sont endommagés ou si la prise est endommagée.**
  - Cela pourrait entraîner une décharge électrique ou un court-circuit provoquant un incendie.

- **Attendez au moins 5 minutes lorsque vous rebranchez la fiche ou que vous rétablissez le courant.**
  - Donnez le temps au compresseur d'effectuer un cycle complet avant de redémarrer.
- **Si le cordon d'alimentation est endommagé, il doit être remplacé par le fabricant, son agent d'entretien ou une personne ayant les mêmes compétences, et ce, afin d'éviter tout risque.**

## MISES EN GARDE

- **Ne mettez pas vos mains sous le réfrigérateur.**
  - Les bords coupants, les ventilateurs et les fils peuvent causer des blessures.
- **Conservez ces consignes afin que l'inspecteur local puisse les consulter.**
- **Respectez tous les codes et règlements en vigueur.**
- **Installateur : Remettez ce feuillet de consignes au propriétaire.**
- **Propriétaire : Gardez ce feuillet de consignes avec le manuel d'utilisation à des fins de consultation ultérieure.**

## Général

Ces consignes d'installation sont destinées à des installateurs qualifiés. Tous les branchements et les raccordements pour l'eau, l'alimentation électrique et la mise à la terre doivent être conformes aux codes et aux règlements locaux et être faits par un personnel autorisé en cas de besoin. En l'absence d'un code local :

- Aux États-Unis, conformément au National Electric Code, ANSI/NFPA70 (dernière édition) – Codes étatiques et municipaux ou codes locaux.
- Au Canada, conformément à la norme C22.1 du Code canadien de l'électricité (dernière édition) – Codes provinciaux et municipaux ou codes locaux.

# GARDEZ CES CONSIGNES

## 6 AVANT L'INSTALLATION

# AVANT L'INSTALLATION

## Choix de l'emplacement d'installation

Mesurez toutes les portes, les ouvertures, les cages d'escalier et les suspensions aériennes du chemin de l'installation pour vous assurer que l'appareil peut être déplacé jusqu'à l'emplacement d'installation.

### Température et humidité

#### **⚠ AVERTISSEMENT**

- N'entreposez pas ou n'installez pas l'appareil dans un endroit où il serait exposé :
  - aux intempéries
  - aux dégâts d'eau
  - à des températures inférieures à 32 °F (0 °C)
- L'appareil doit être installé dans un endroit sec et bien ventilé.
- La température ambiante doit se situer entre 55 °F (13 °C) et 110 °F (43 °C), afin d'éviter les dysfonctionnements.
- N'installez pas l'appareil à un endroit où il sera exposé à la lumière directe du soleil ou près d'une source de chaleur, comme un four ou un radiateur.

### Dispositifs anti-basculement

#### **⚠ AVERTISSEMENT**

- Risque de basculement
  - L'appareil est très lourd et peut basculer si la porte est ouverte avant que l'appareil soit correctement installé.
  - Installez les supports anti-basculement fournis pour empêcher l'appareil de basculer. La méthode la plus sécuritaire pour installer l'appareil dans une position stable est d'utiliser les dispositifs anti-basculement fournis.
  - N'ouvrez pas la porte de l'appareil à moins qu'il soit encore sur la palette ou que les supports anti-basculement soient enclenchés.
- Si l'encastrement est suffisamment robuste, la fixation de l'appareil aux parois supérieures et latérales de l'encastrement peut fournir une stabilité supplémentaire, à condition que l'encastrement soit bien fixé à la paroi arrière. En

cas de doute, contactez un architecte ou un ingénieur en structures.

### Encastrement

- Le panneau au-dessus de l'appareil doit être fait d'un matériau solide (pas un panneau MDF) d'au moins 5/8 po (16 mm) d'épaisseur.
- Les parois latérales de la cavité ou de l'encastrement doivent être alignées.
- Un espace de 4 pouces (100 mm) à l'avant de la surface intérieure (retour de meubles) sera visible lorsque les portes seront ouvertes. Assurez-vous que cette zone est finie jusqu'à au moins 4 pouces de profondeur.
- Pour vous garantir une installation sans problème, suivez les consignes pour installer l'appareil dans l'encastrement.
- Il est très important que l'encastrement ne soit pas hors d'équerre. Utilisez un niveau à bulle ou mesurez les diagonales de l'ouverture pour vous assurer que les coins sont carrés.
- L'appareil est fixé sur les côtés et le dessus de l'encastrement ou des armoires adjacentes. Assurez-vous que l'encastrement ou les armoires adjacentes sont adéquatement fixés au plancher ou au mur.

### Plancher

#### **⚠ AVERTISSEMENT**

- Le plancher de la zone d'installation doit être ferme, droit et rigide pour assurer une installation sécuritaire et un rendement optimal.
- N'installez pas l'appareil sur une plateforme ou une structure surélevée.
- La structure en dessous de l'appareil doit pouvoir supporter le poids de l'appareil sans basculer ni fléchir.
- Pour un rendement optimal et afin d'éviter les fuites, mettez l'appareil à niveau.

## Exigences électriques

### ⚠ AVERTISSEMENT

- Risque de décharge électrique
  - Branchez l'appareil sur une prise à trois trous mise à la terre.
  - N'enlevez pas la broche de mise à la terre.
  - N'utilisez pas d'adaptateur.
  - N'utilisez pas de rallonge.
- Le non-respect de ces consignes peut entraîner la mort, un incendie ou une décharge électrique.
- Respectez tous les codes étatiques et locaux ou le NEC.
- L'appareil est doté d'un cordon d'alimentation à trois fils certifié UL.
- L'appareil nécessite une prise à trois fils.
- La prise doit être installée par un électricien autorisé seulement.

## Mise à la terre

Cet appareil doit être mis à la terre. En cas de dysfonctionnement ou de panne, la mise à la terre réduira le risque de décharge électrique en fournissant au courant électrique un chemin de moindre résistance.

### ⚠ AVERTISSEMENT

- Un raccordement incorrect du conducteur de mise à la terre de l'appareil peut entraîner une décharge électrique. Faites vérifier l'appareil par un électricien ou un technicien d'entretien qualifié si vous avez un doute à savoir si l'appareil est correctement mis à la terre.

### REMARQUE

- Certaines réglementations locales peuvent exiger une mise à la terre séparée. Dans de tels cas, le fil, le collier et la vis de mise à la terre sont vendus séparément sous forme d'accessoire.
- Ne mettez jamais l'appareil à la terre en utilisant des conduites de plomberie en plastique, des conduites de gaz ou des canalisations d'eau.

## Raccordement de l'eau

### ⚠ MISE EN GARDE

- Raccordez l'appareil à une source d'eau potable seulement.
- Un raccordement à l'eau froide est requis pour le fonctionnement de la machine à glaçons automatique. La pression de l'eau doit être entre 20 et 120 psi (entre 138 et 827 kPa).
- L'installation doit être conforme aux règlements locaux régissant la plomberie.
- Un robinet d'arrêt distinct doit être installé pour le raccordement de l'appareil à l'eau.
- N'utilisez pas de vanne à perçage automatique.
- N'installez pas le robinet d'arrêt pour l'eau en arrière de l'appareil. Le robinet d'arrêt doit être facilement accessible.
- Installez le raccordement de l'eau dans la zone indiquée dans le diagramme de la section Dimensions et dégagements. La conduite d'alimentation en eau chaude doit se situer du côté droit, du côté gauche, ou dans le bas. Le diamètre extérieur maximal de la conduite d'alimentation (sans raccords) est de 9,5 mm (3/8 po).

## Dimensions et dégagements

### Dimensions de découpe

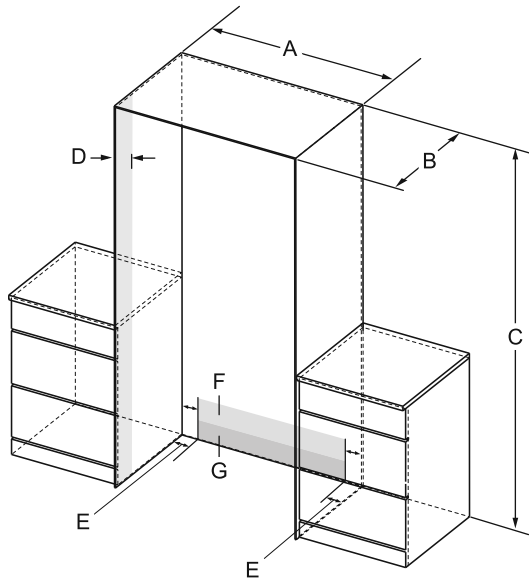
### ⚠ MISE EN GARDE

- Le support anti-basculement doit être fermement fixé à un mur en béton ou en bois d'une épaisseur d'au moins 9/16 po (15 mm), ou à un mur de résistance équivalente. (La structure sur laquelle le support est fixé doit être une structure solide pouvant résister à une force d'au moins 70 kgf [154 lbf].)

## 8 AVANT L'INSTALLATION

### ⚠ MISE EN GARDE

- Avant d'installer l'appareil, vérifiez que l'encastrement est de la bonne taille. Pour que l'appareil fonctionne correctement, l'encoche de la plaque avant inférieure doit être alignée avec le centre de l'appareil.



-	Dimension de découpe
A	47 1/2 po (1206,5 mm)
B	≥635 mm (25 po) pour l'installation affleurante ≥610 mm (24 po) pour l'installation proéminente
C	≥84 po (2134 mm)
D	4 po (102 mm)
E	1 3/8 po (35 mm)
F (Prise électrique)	5 po (127 mm)
G (alimentation en eau)	4 po (102 mm)

### REMARQUE

- Le réfrigérateur peut être installé de façon affleurante ou proéminente (B).
  - Installation affleurante : avec une profondeur de découpe de 635 mm (25 po), l'avant du congélateur affleure parfaitement les

armoires adjacentes d'une profondeur de 635 mm (25 po).

- Installation proéminente : avec une profondeur de découpe de 610 mm (24 po), l'avant du congélateur dépasse les armoires adjacentes d'une profondeur de 610 mm (24 po) d'environ 19 mm (3/4 po).
- Un retour fini (D) d'au moins 102 mm (4 po) correspondant à l'extérieur de l'armoire est recommandé sur tous les côtés et le haut de l'ouverture de découpe. La zone ombragée sera visible après l'installation.

### Installation électrique

- Une alimentation électrique de 115 V, 60 Hz et 15 A est nécessaire. Un circuit de dérivation ou un disjoncteur correctement mis à la terre est recommandé. Installez une prise de courant à trois trous encastrée dans le mur du fond. L'installation électrique doit être située sur la paroi arrière, comme il est illustré.
- Lorsque vous installez un seul produit, utilisez une seule prise.

### REMARQUE

- L'utilisation d'un DDFT (disjoncteur différentiel de fuite à la terre) n'est pas recommandée.

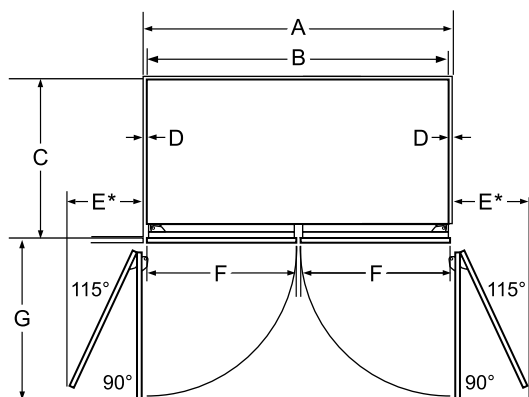
### Arrivée d'eau

- Une alimentation en eau froide est requise pour le fonctionnement de la machine à glaçons automatique.
- La pression de l'eau doit être entre 20 et 120 psi.
- Les tuyaux doivent être suffisamment longs pour s'étendre jusqu'à l'avant du réfrigérateur. Prévoyez une longueur suffisante de tuyau pour permettre l'ajout d'un coude menant au raccordement de la conduite d'eau.
- La conduite d'eau peut passer par une ouverture dans le plancher ou par le mur arrière.
- Installez un robinet d'arrêt entre la vanne d'eau du réfrigérateur et l'alimentation en eau froide de la maison.

## Dégagements pour l'installation

dégagement entre l'appareil et les armoires ou les murs adjacents est limité.

### Vue de dessus



\* Poignée de porte ajoutée à cette dimension.

\*\* Dépend de l'épaisseur du panneau de porte personnalisé de l'armoire. 19 mm (3/4 po) représente la mesure appropriée pour l'ensemble de panneaux de porte en acier inoxydable (accessoire en option).

Affleurante	Proéminente

-	Dimensions et dégagements
A	47 1/2 po (1206,5 mm)
B	47 1/4 po (1200 mm)
C	Affleurante : 25 po (635 mm) Proéminente : 24 po (610 mm)
D	≥1/8 po (3 mm)
E	12 15/16 po (329 mm)
F	23 1/2 po (596,5 mm)
G	Affleurante : 24 5/8 po (624,5 mm) Proéminente : 25 3/8 po (644,5 mm)
H	3/4 po (19 mm)

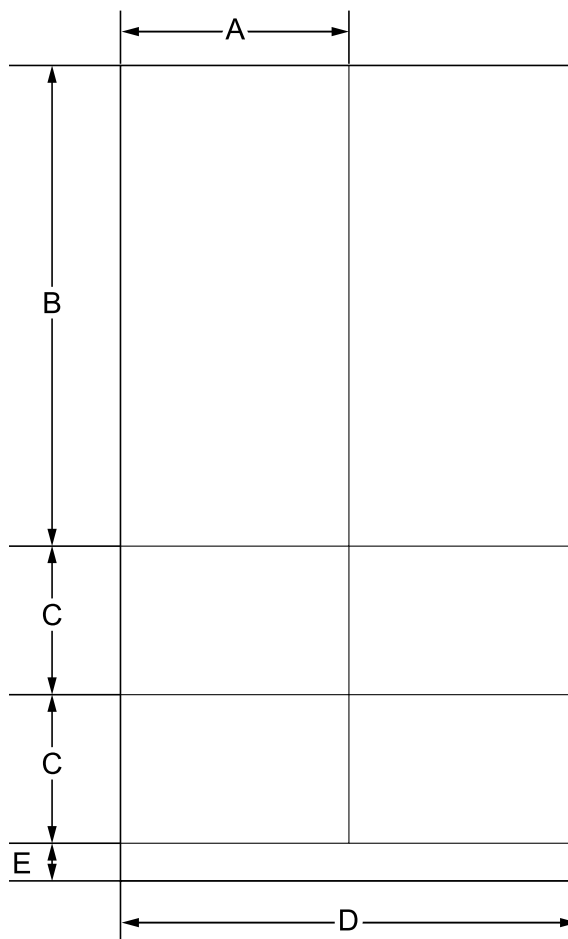
### REMARQUE

- Dégagements pour l'ouverture de la porte
  - L'installation doit prévoir des dégagements pour les murs adjacents ou les armoires. Ce réfrigérateur est doté d'une butée de porte à deux positions. L'ouverture de porte à 115° réglée en usine peut être réglée à 90° si le

## 10 AVANT L'INSTALLATION

### Dimensions des panneaux en acier inoxydable

#### Dimensions du panneau en acier inoxydable 3/4 po (19 mm) pour une installation affleurante



-	Dimensions
A	23 1/2 po (596,5 mm)
B	49 5/16 po (1252 mm)
C	15 po (381,5 mm)
D	47 1/4 po (1200 mm)
E	4 po (102 mm)

#### Accessoires pour l'installation affleurante ou en saillie

- L'ensemble de panneaux en acier inoxydable peut être utilisé pour une installation affleurante d'une profondeur de découpe de 635 mm (25 po) ou pour une installation proéminente

d'une profondeur de découpe de 610 mm (24 po).

- Le kit d'encadrement est recommandé pour les installations de modernisation/remplacement lorsque la découpe existante a une profondeur de 24 po (610 mm).

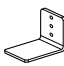






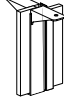
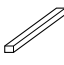
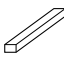
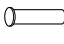



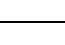
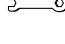
## Accessoires et outils requis

### Accessoires

#### Accessoires fournis

- Consignes d'installation
- Consignes de fonctionnement
- Filtre à eau (inclus avec le réfrigérateur)
- Ensemble d'installation

Article	Dimensions	Quantité	Utilisé pour
	-	2	Support anti-basculement
	5H x 45 L	6	
	5 x 30 L	6	
	4D x 15 L	4	Support supérieur
	-	1	Outil de jauge
	4D x 14 L	120	Panneau de porte
	-	30	
	4D x 14 L	8	Support latéral
	-	2	Guide d'air
	18 x 11 4 x 13 T	2	
	23 x 10 7 x 13 T	2	
	-	1	

Article	Dimensions	Quantité	Utilisé pour
	20 T	1	Embout Torx
	30 T	1	
	-	1	Clé (pour les panneaux de porte et la mise au niveau)

FRANÇAIS

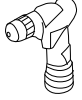
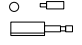


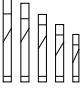

### REMARQUE

- En plus de la quantité requise pour l'installation de l'appareil, des vis de rechange peuvent être fournies.

### Autres


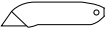
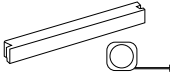

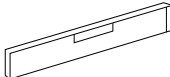
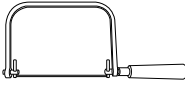
- Escabeau
- Diable, chariot de manutention
- Marteau-perforateur pour percer des trous dans le mur ou le plancher
- Mèches de différentes tailles pouvant percer les matériaux utilisés
- Vis à bois de différentes tailles
- Fine feuille de contreplaqué, panneau mince d'aggloméré de bois ou carton mince pour protéger le plancher contre les dommages
- Matériau approprié pour couvrir et protéger les meubles (draps protecteurs)
- Ruban adhésif
- Conduite d'eau en cuivre, XLPE ou acier tressé (voir Raccordement du réfrigérateur à l'alimentation en eau pour plus de détails)

### Outils

	Visseuse sans fil
	Embouts Torx T20 et T30 et aimant de retenue
	Tournevis Torx T20 et T30
	Tournevis hexagonal de 3/8 po (10 mm)
	Diverses mèches
	Pince multiprise

## 12 AVANT L'INSTALLATION

---

	Clé à molette
	Couteau à lame ajustable
	Mètre à ruban métallique, règle pliante
	Équerre
	Niveau, longueur de 2 po (60 cm) et de 4 po (1,2 m)
	Scie pour couper les moultures du haut (pour installation après-coup seulement)

# INSTALLATION

## Préparation pour l'installation

Les consignes d'installation suivantes décrivent les étapes d'installation pour différents types d'appareils :

- Réfrigérateurs dotés d'un distributeur d'eau
- Congélateurs dotés d'une machine à glaçons
- Réfrigérateurs et congélateurs intégrés dotés d'un distributeur d'eau et d'une machine à glaçons

Les diagrammes peuvent être une représentation générale de votre appareil.

Une référence particulière est faite pour les étapes d'installation propres à chaque type d'appareil.

## Déballage

### ⚠ AVERTISSEMENT

- Afin d'éviter des blessures graves ou d'endommager le produit :
  - N'OUVREZ PAS la porte de l'appareil à moins que le produit soit fixé pour éviter un basculement.
  - L'appareil est très lourd et a tendance à basculer s'il n'est pas fixé.
  - Pour éviter tout risque de blessures, il faut au moins deux personnes pour soulever ou déplacer l'appareil.

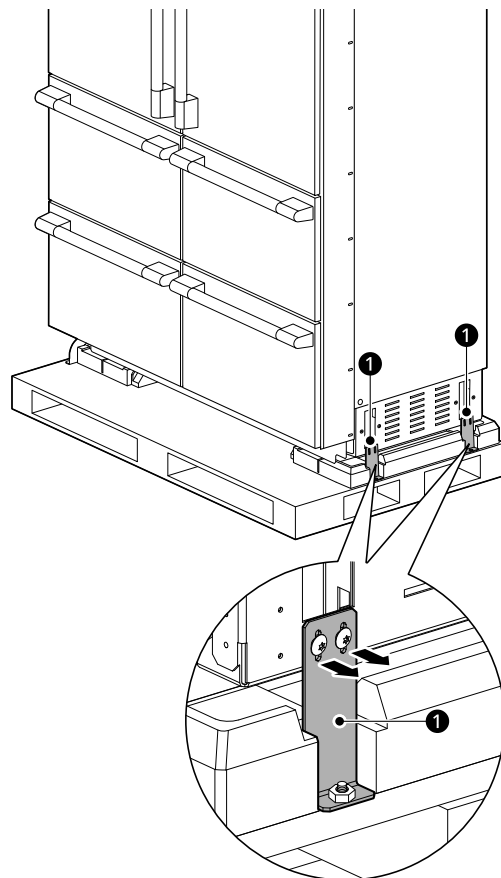
Vérifiez si l'appareil a été endommagé pendant le transport.

N'installez pas l'appareil s'il est évident qu'il est endommagé. En cas de doute, communiquez avec votre détaillant.

- 1 Retirez le carton d'emballage en veillant à ne pas endommager la surface de l'appareil.
- 2 Pour éviter d'endommager le plancher, placez le carton d'emballage ou le contreplaqué sous l'appareil.
- 3 Retirez les accessoires sur les côtés de l'appareil et sous celui-ci.

- 4 Préparation de l'installation  
Déballez tout le matériel et les accessoires nécessaires à l'installation.

- 5 Retirez les supports d'expédition ① et descendez l'appareil de la palette.  
Assurez-vous que les pieds soient rétractés avant de retirer l'appareil de la palette.



### REMARQUE

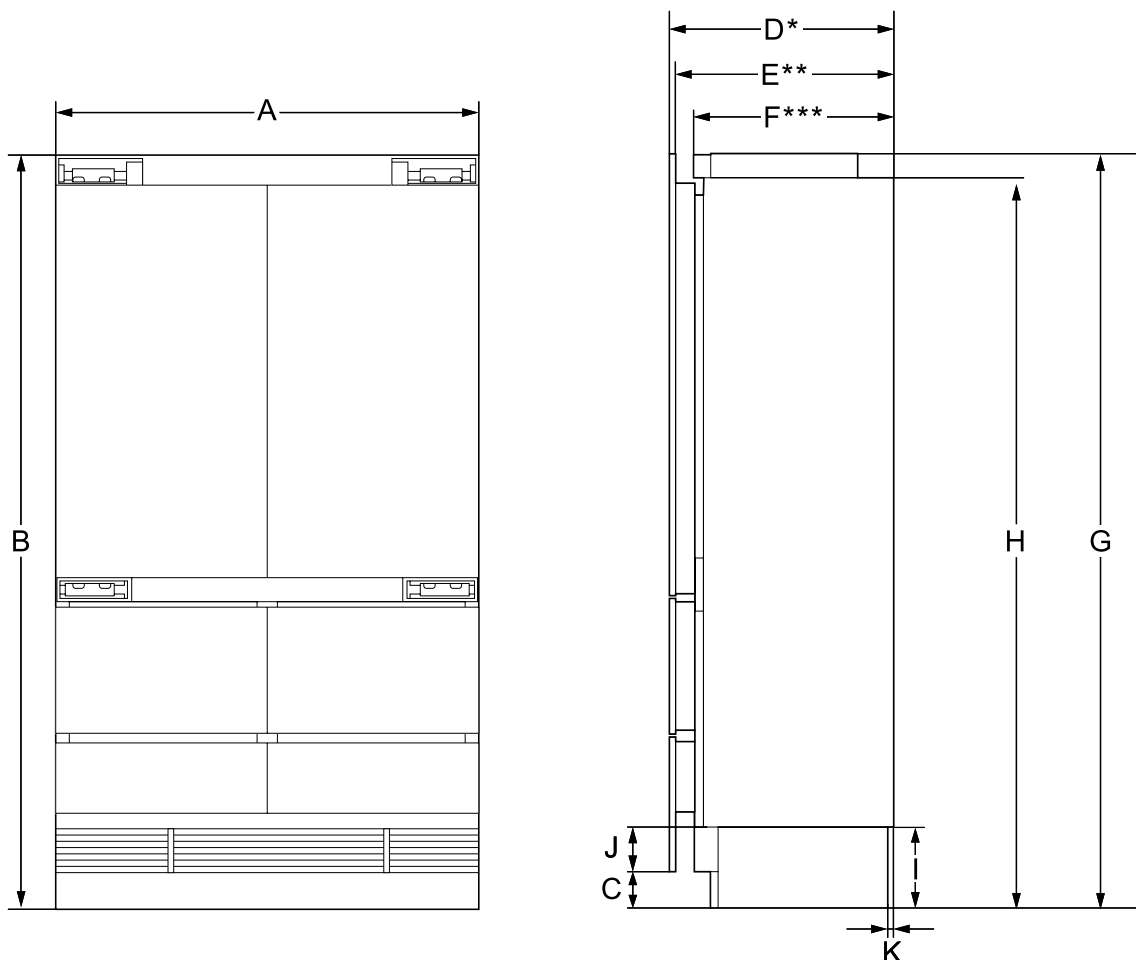
- Pour éviter d'endommager les pièces, ne retirez pas les matériaux d'expédition de protection qui se trouvent à l'intérieur de l'appareil jusqu'à ce que l'installation soit terminée.

### ⚠ MISE EN GARDE

- L'appareil est très lourd. Au moins deux personnes sont nécessaires pour soulever ou déplacer l'appareil.

## 14 INSTALLATION

### Dimensions de l'appareil



\* Profondeur avec panneau et poignée

\*\* Profondeur avec les portes (sans le panneau)

\*\*\* Profondeur de l'appareil sans les portes

-	Dimensions
A	47 1/4 po (1200 mm) sans le panneau
B	De 83 1/2 po (2 121 mm) à 84 3/16 po (2 138 mm)
C	4 po (100 mm)
D	27 5/16 po (694 mm) avec panneau et poignée
E	23 7/8 po (607 mm) sans le panneau
F	22 po (558 mm) sans la porte
G	De 83 3/8 po (2 117 mm) à 84 po (2 134 mm)
H	De 80 3/4 po (2050 mm) à 81 3/8 po (2067 mm)
I	9 po (229 mm)
J	4 13/16 po (123 mm)
K	3/4 po (19 mm)

## Déplacement de l'appareil dans l'encastrement

### Installation des supports anti-basculement

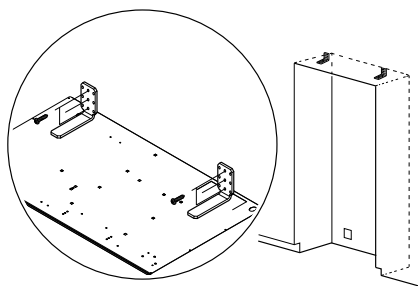
#### **⚠ AVERTISSEMENT**

- Pour éviter les blessures ou les dommages, vérifiez la présence de fils électriques ou de tuyaux dans les murs avant d'utiliser des vis.
- Le support anti-basculement doit être fermement fixé à un mur en béton ou en bois d'une épaisseur d'au moins 15 mm (9/16 po), ou à un mur de résistance équivalente. (La structure sur laquelle le support est fixé doit être une structure solide qui peut résister à une force d'au moins 70 kgf [154 lbf].)

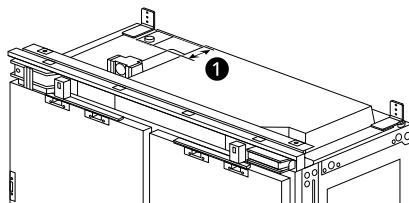
#### **⚠ MISE EN GARDE**

- Pour éviter les blessures, respectez toutes les consignes de sécurité au cours de l'installation, y compris le port de lunettes de sécurité et d'autres vêtements de sécurité.

Installez les supports anti-basculement à l'arrière de l'encastrement; fixez les supports en fonction de l'emplacement des poteaux de cloison, ainsi que des dimensions de l'appareil et de l'encastrement.



Les supports anti-basculement doivent dépasser ❶ d'au moins 54 mm (2 1/8 po) sur le dessus de l'appareil pour fixer l'appareil.

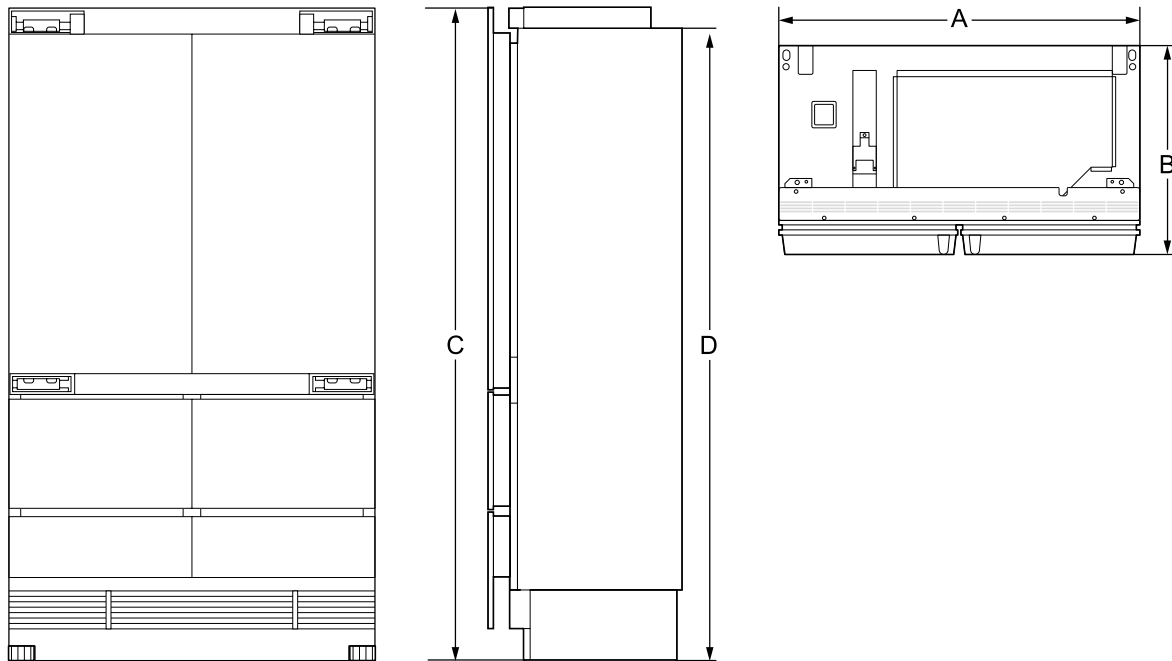


- ❶ Installez les supports anti-basculement à l'arrière de l'encastrement, avec la base des supports de l'encastrement de 84 mm (3 5/16 po) sur le haut de l'encastrement.

## 16 INSTALLATION

**2** Assurez-vous que les supports anti-basculement sont solidement fixés à un poteau de cloison ou à d'autres structures portantes. Ne fixez pas les supports sur une cloison sèche, un bloc de béton de mâchefer ou du béton non durci.

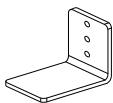
Pour assurer la sécurité de l'installation, au moins un support doit être fixé à un poteau de cloison. Fixez les supports sur les poteaux de cloison à l'intérieur de l'encastrement, partout où cela est possible. Utilisez au moins trois vis ou trois boulons pour chaque support.



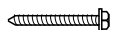
-	Dimensions
A	47 1/4 po (1200 mm)
B	27 5/16 po (694 mm)
C	83 1/2 po (2121 mm)
D	80 9/16 po (2046 mm)

### REMARQUE

- Deux supports anti-basculement sont requis pour chaque appareil.



Supports anti-basculement (2)

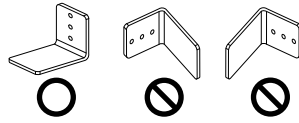


Vis pour mur en béton ou en bois  
5 x 45 (hexagonale) (6)



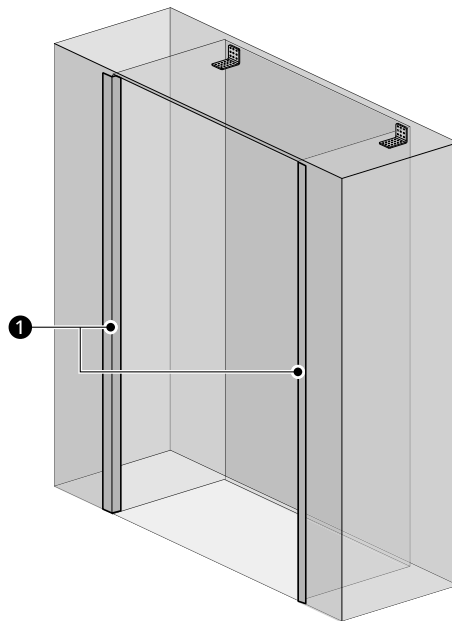
6 x 30 (6)

- Les supports doivent être fixés comme il est illustré ci-dessous. Les supports pourraient s'avérer inefficaces dans la prévention du basculement de l'appareil s'ils sont installés d'une autre façon.



## Protection des bords de l'encastrement

Afin de protéger les bords avant de l'encastrement, collez un carton mince ou un autre matériau de protection sur les bords.



- 1 Couverture protecteur

## Installation de l'appareil dans l'encastrement

### ⚠ AVERTISSEMENT

- Au moins deux personnes sont requises pour installer l'appareil. Soyez prudent lorsque vous déplacez l'appareil. Il est très lourd et a tendance à basculer lorsqu'il n'est pas fixé.

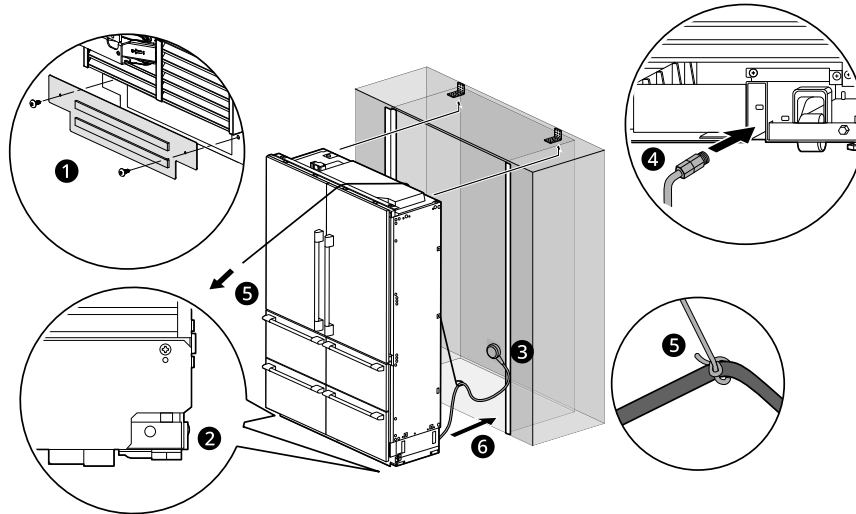
### ⚠ MISE EN GARDE

- Prenez soin de ne pas endommager la conduite d'eau ou le cordon d'alimentation lorsque vous mettez l'appareil en place dans l'encastrement.
- Avant de mettre l'appareil en place, fermez la porte et les tiroirs ou empêchez-les de s'ouvrir. Assurez-vous de protéger le revêtement de plancher.
- Utilisez un diable ou un chariot de manutention pour déplacer l'appareil à proximité de l'ouverture.
- Avant de bouger l'appareil, rétractez complètement tous les pieds avant et arrière de nivellement.

## 18 INSTALLATION

### ⚠ MISE EN GARDE

- Une fois l'appareil installé, déployez les pieds avant et arrière de nivellement sous les roues pour améliorer la stabilité de l'appareil. Ne bougez pas l'appareil lorsque les pieds sont déployés. Les pieds avant et arrière de nivellement peuvent être ajustés depuis l'avant une fois l'unité positionnée.
- Si l'appareil a été placé sur le dos ou le côté, il doit rester debout pendant au moins 24 heures avant la mise sous tension.
- Après la mise en place de l'appareil, assurez-vous que les supports anti-basculement sont correctement enclenchés.



- 1** Retirez le panneau inférieur.
- 2** Rétractez tous les pieds avant et arrière de nivellement pour que l'appareil puisse être poussé en avant et en arrière.
- 3** Branchez le cordon d'alimentation dans la prise électrique.
- 4** Pour utiliser les machines à glaçons ou le distributeur d'eau, le réfrigérateur doit être raccordé à l'alimentation en eau de la maison. Si nécessaire, suivez les instructions de la section Raccordement du réfrigérateur à l'alimentation en eau pour le raccorder à l'alimentation en eau de la maison avant de passer à l'étape 5.
- 5** Attachez une longue ficelle au milieu du cordon d'alimentation. Placez la ficelle sur le dessus de l'appareil, tirez-la jusqu'à ce que le cordon d'alimentation soit à une bonne hauteur, puis collez la ficelle à l'avant de l'appareil avec du ruban adhésif pour que le cordon d'alimentation ne touche plus au sol. Ne pincez pas et ne coincez pas le cordon d'alimentation. Assurez-vous qu'il est toujours branché.
- 6** Déplacez délicatement l'appareil dans l'enceinte, en veillant à ne pas pincer le cordon d'alimentation ou les conduites d'eau sous ou derrière l'appareil. Si les conduites d'eau ont été raccordées à l'avant de l'appareil, placez-les sous l'avant de l'appareil.



- 7** Retirez la ficelle du cordon d'alimentation ainsi que la protection des bords de l'encastrement.

## Raccord du réfrigérateur à l'alimentation en eau

### Avant de commencer

#### **⚠ MISE EN GARDE**

- Fermez la vanne d'arrêt de l'entrée d'eau principale pour prévenir les inondations et les dommages matériels.
- Pour éviter les brûlures et tout dommage à l'appareil, raccordez uniquement la conduite d'eau du réfrigérateur à une source d'eau froide.
- Branchez l'appareil à une source d'eau potable seulement.

Ces consignes présument que vous disposez d'un raccord d'alimentation en eau et d'une vanne d'arrêt pour le réfrigérateur situés à l'arrière de l'enceinte. Si nécessaire, appelez un plombier qualifié pour installer une conduite d'alimentation en eau pour le réfrigérateur.

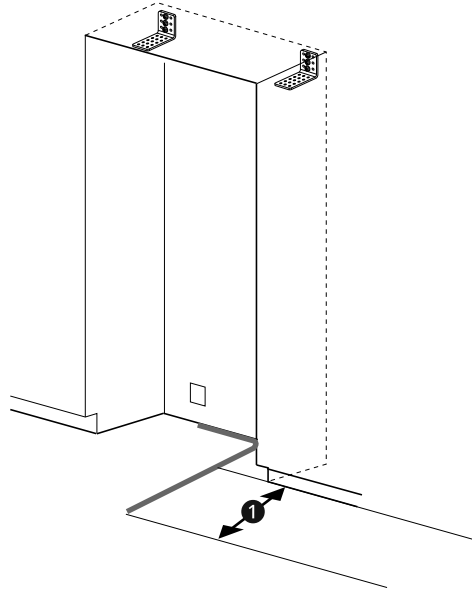
- 1** Raccordez une conduite d'eau à la vanne d'arrêt située à l'arrière de l'enceinte.
  - Placez l'écrou à compression et la bague (manchon) sur l'extrémité du tuyau et raccordez-le à la vanne d'arrêt. Si vous utilisez un tuyau en XLPE, le tuyau peut déjà être doté des raccords nécessaires à chaque extrémité. Assurez-vous que le tuyau est entièrement inséré dans la vanne. Serrez fermement l'écrou à compression.
- 2** Vidangez le tuyau dans un seau.
  - Vidangez le tuyau qui provient de l'alimentation en eau locale jusqu'à ce que l'eau soit claire. Fermez l'alimentation en eau à la hauteur de la vanne une fois qu'environ un litre d'eau a circulé dans le tuyau.

#### **REMARQUE**

- Si vous raccordez une conduite d'eau en cuivre derrière le réfrigérateur, assurez-vous que la conduite d'eau est suffisamment longue pour vous permettre de sortir le réfrigérateur de l'enceinte pour l'entretien. Pour déterminer la longueur de tuyau dont vous avez besoin, mesurez la distance entre la vanne d'eau située à l'avant du réfrigérateur et le tuyau d'alimentation en eau et ajoutez 8 pieds. Vous aurez besoin d'au moins 6 à 8 pieds supplémentaires de tuyau, enroulé en spires, pour permettre au réfrigérateur de sortir du mur après l'installation.
- Si vous utilisez une conduite d'eau XLPE ou flexible, vous pouvez la faire passer sous le réfrigérateur et raccorder la conduite d'eau de la maison à la conduite d'eau du réfrigérateur à l'avant (voir le schéma). Une conduite d'eau de 6 pieds est recommandée pour les raccords à l'avant.

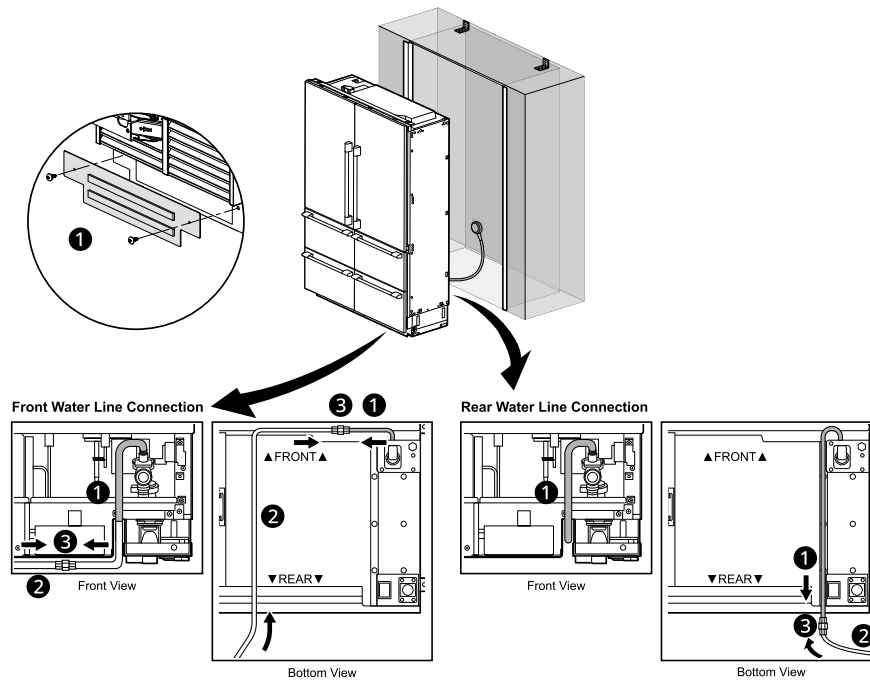
## 20 INSTALLATION

Respectez toujours les dimensions indiquées pour éviter d'endommager la conduite d'eau lorsque vous mettez l'appareil en place dans l'encastrement.



① >14 po (355 mm)

### Raccord de l'arrivée d'eau au réfrigérateur



### REMARQUE

- Avant d'effectuer le raccord au réfrigérateur, assurez-vous que le cordon d'alimentation électrique n'est pas branché dans la prise murale.

## 1 Faites passer la conduite d'eau.

- Si vous avez raccordé une conduite d'eau en cuivre ② à la vanne d'arrêt située à l'arrière de l'enceinte, poussez la conduite d'eau flexible ① raccordée à l'avant du réfrigérateur dans le canal situé à l'avant de l'appareil jusqu'à ce qu'elle ressorte à l'arrière de l'appareil. Vous allez raccorder les deux conduites d'eau (① et ②) à l'arrière de l'appareil.
- Si vous avez connecté une ligne d'eau XLPE ou flexible ② à la vanne d'arrêt à l'arrière de l'enceinte, poussez cette ligne à travers le canal à l'arrière de l'appareil jusqu'à ce qu'elle émerge à l'avant de l'appareil. Vous allez raccorder les deux conduites d'eau (① et ②) à l'avant de l'appareil.

### **⚠ MISE EN GARDE**

- Ne pliez pas les conduites d'eau. Cela crée un risque de fuites et de dégâts d'eau.

## 2 Vous êtes maintenant prêt à connecter les deux lignes d'eau ensemble.

## 3 Retirez le bouchon en plastique souple de l'extrémité de la conduite d'eau ① fixée au réfrigérateur.

## 4 Placez l'écrou à compression et la bague (manchon) à l'extrémité de la ligne d'eau de la maison comme il est indiqué. Si vous utilisez un ensemble de raccords en XLPE, il se peut qu'il dispose déjà des raccords nécessaires.

## 5 Raccordez la conduite d'eau de la maison à la conduite d'eau du réfrigérateur. Tout en tenant le tuyau, vissez les raccords à la main. Serrez les raccords à l'aide de la clé à fourche fournie. Ne serrez pas trop l'écrou ③.

## 6 Ouvrez l'eau et vérifiez l'absence de fuites au niveau de tous les raccords.

## 7 Passez à l'étape 5 de la section Installation de l'appareil dans le boîtier.

# Mise à niveau et fixation de l'appareil

## Alignement et mise à niveau de l'appareil

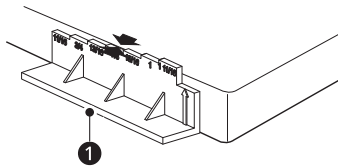
### Ajustement de la profondeur

Ajustez la profondeur de l'appareil dans l'encastrement de façon à ce que les panneaux de porte soient parfaitement encastrés dans les armoires adjacentes. Utilisez l'outil de jauge fourni pour assurer un positionnement précis.

## 1 Mesurez l'épaisseur de vos panneaux de porte décoratifs au moyen de l'outil de jauge.

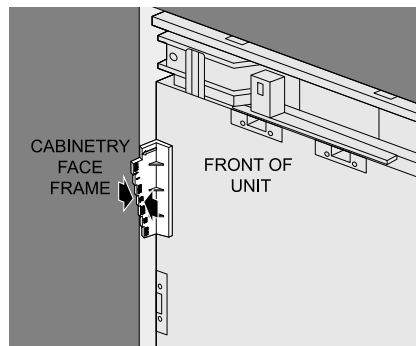
Placez le panneau de porte sur une surface plane et protégée et placez l'outil de jauge ① à côté du panneau. Marquez l'encoche sur l'outil de jauge qui correspond à l'épaisseur du panneau de porte.

## 22 INSTALLATION



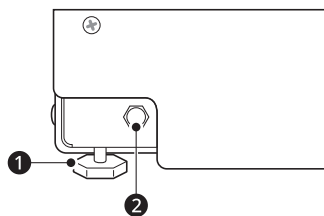
### 2 Utilisez la marque sur l'outil de jauge pour ajuster la profondeur de l'appareil dans l'encastrement.

Placez l'outil de jauge contre la porte fermée de l'appareil sur le côté de l'encastrement. L'encoche marquée sur l'outil de jauge doit être alignée avec le bord avant de l'encastrement.



### Ajustement de la hauteur

Les pieds de mise à niveau avant et arrière peuvent être tous les deux ajustés depuis l'avant de l'appareil.



- ① Ajustement à l'avant
- ② Ajustement à l'arrière

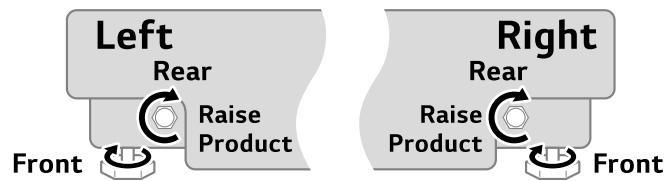
### Nivellement

Une fois que l'appareil est correctement aligné dans l'encastrement, mettez-le à niveau à l'aide des pieds de mise à niveau avant et arrière.

#### REMARQUE

- Si vous mettez l'appareil à niveau correctement, vous devriez avoir besoin de moins d'ajustements pour les portes et les tiroirs.
- Utilisez un niveau à bulle plutôt que les armoires environnantes pour déterminer si le produit est de niveau.

- 1 Utilisez la clé à molette incluse avec le produit ainsi qu'une clé M8 pour ajuster les pieds de mise à niveau avant et arrière jusqu'à ce qu'ils soient fermement en contact avec le sol.



- 2 Tournez l'écrou dans le sens des aiguilles d'une montre, comme il est illustré ci-dessus, pour soulever l'appareil. Tournez les vis dans le sens opposé des aiguilles d'une montre pour abaisser l'appareil.
- 3 Assurez-vous que le poids du réfrigérateur repose sur les pieds, et non sur les roues.
- 4 Utilisez une application de mise à niveau pour téléphone intelligent ou placez un niveau de charpentier sur le dessus et les bords de l'appareil pour vérifier qu'il est à niveau et d'aplomb. Vous pouvez également utiliser l'outil de jauge fourni pour mesurer la distance du bord inférieur de l'appareil jusqu'au plancher à partir des coins avant.

**⚠ AVERTISSEMENT**

- Pour réduire la possibilité que l'appareil bascule vers l'avant, les pieds de mise à niveau avant doivent être en contact avec le sol.

**⚠ MISE EN GARDE**

- Si vous utilisez une perceuse électrique, réglez le couple au plus bas.
- L'ajustement maximal de la hauteur est de 17 mm (11/16 po).

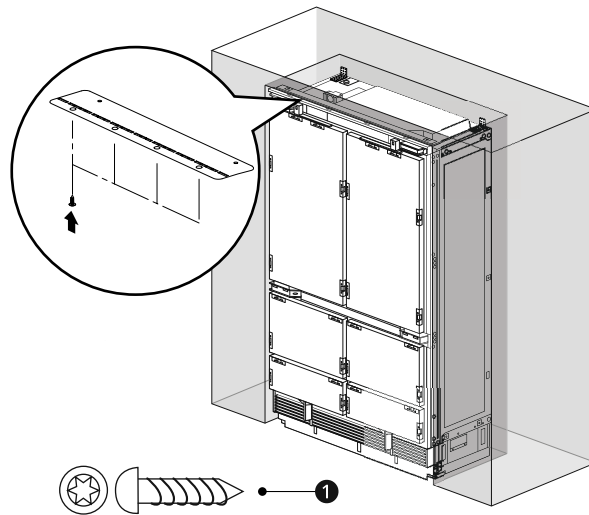
## 24 INSTALLATION

### Fixation de l'appareil à l'encastrement

#### **⚠ AVERTISSEMENT**

- Afin d'éviter tout basculement, l'appareil doit être fixé à la partie supérieure de l'encastrement et les supports anti-basculement doivent être déployés.
- Le haut de l'encastrement doit être fait d'un matériau solide (pas un panneau MDF) d'au moins 16 mm (5/8 po) d'épaisseur.

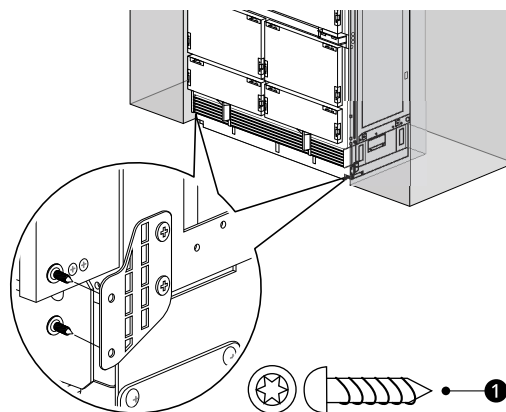
- 1 Vissez les oreilles du support de sécurité situé en haut de l'appareil à la partie supérieure de l'encastrement.



1 4 x 15 (4)

- 2 S'il y a un écart important entre le dessus de l'appareil et la partie supérieure de l'encastrement, insérez un morceau de bois entre les oreilles et la partie supérieure de l'encastrement pour combler l'écart.

- 3 Vissez les supports de sécurité latéraux sur les côtés de l'encastrement.

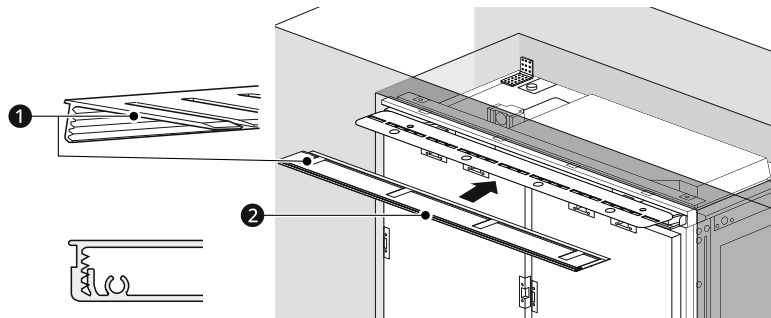


1 4 x 15 (4)

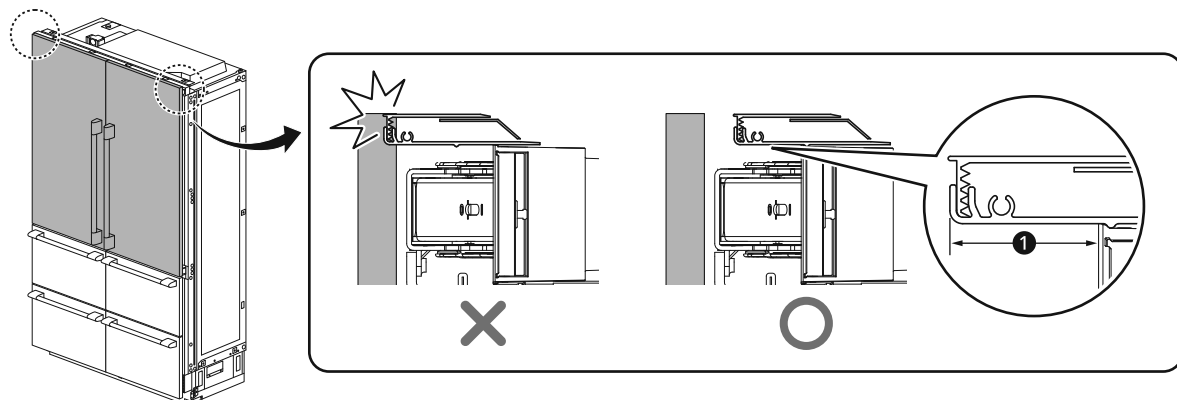
**REMARQUE**

- Si vous installez deux appareils côte à côte, fixez-les ensemble à l'aide de l'ensemble de raccord. Fixez-les sur les côtés de l'encastrement comme s'ils ne formaient qu'un seul appareil.

- 4 Faites glisser la partie supérieure de l'ensemble de remplissage avant **1** sur le dessus de l'appareil jusqu'à ce qu'il s'emboîte dans le support de sécurité supérieur.
- 5 Une fois que la partie supérieure de l'ensemble de remplissage est en place, faites glisser la base de l'ensemble vers le dessous et introduisez la partie supérieure dans la base **2**.

**REMARQUE**

- Si vous installez deux appareils côte à côte, fixez les deux couvercles supérieurs à l'aide de la vis se trouvant dans les accessoires.



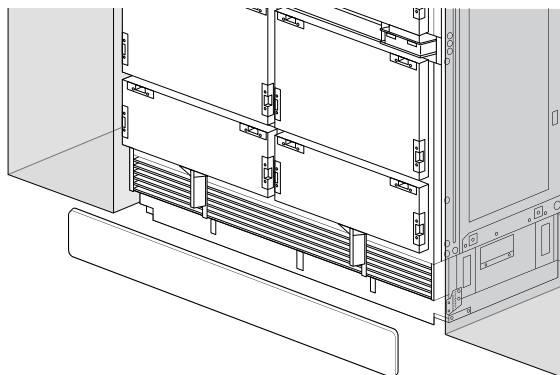
**1** 1 5/8 po (41,5 mm)

## 26 INSTALLATION

### Fixation du panneau coup-de-pied

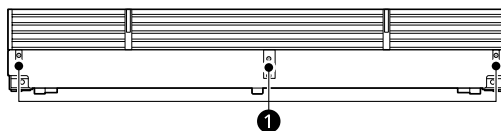
#### ⚠ MISE EN GARDE

- Pour éviter d'endommager l'appareil, n'obstruez pas les fentes de ventilation dans le panneau de base.



### Panneau de coup de pied en acier inoxydable

- 1 Vissez le panneau de base à l'appareil.
- 2 Retirez le film protecteur de l'adhésif sur les bandes magnétiques fournies.
- 3 Collez les bandes magnétiques à l'arrière du panneau coup-de-pied en acier inoxydable.
- 4 Fixez le panneau coup-de-pied en acier inoxydable au panneau de base à l'aide des bandes magnétiques.



- 1 Vis

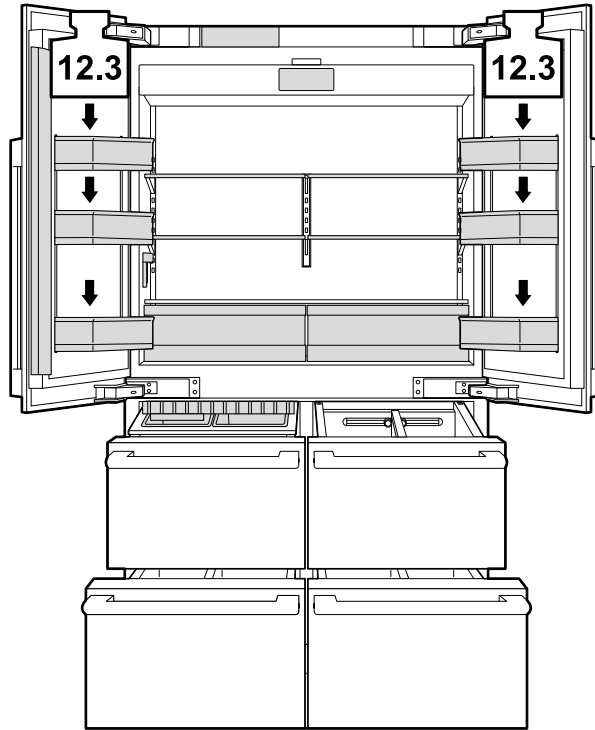
### Remplissage de la porte de l'appareil

Pour obtenir des résultats précis, avant de fixer les panneaux de porte, remplissez les balconnets de la porte avec des poids pour vous assurer que l'écart reste adéquat après que des aliments auront été rangés dans la porte.

- Recommandations :
  - Total : 74,1 lb/33,6 kg



- Chaque balconnet : 12,3 lb/5,6 kg



FRANÇAIS

## 28 INSTALLATION

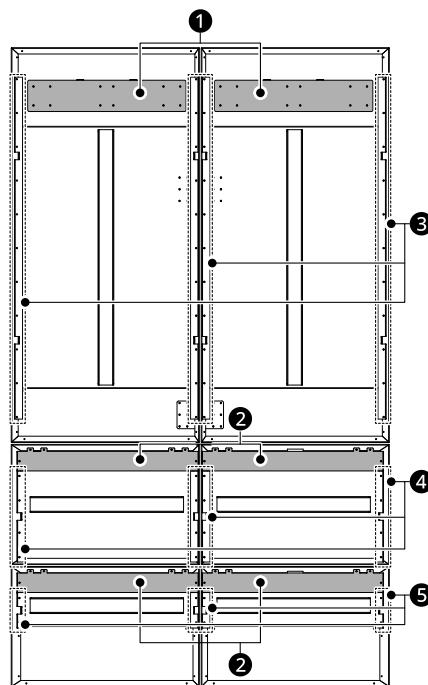
# Panneaux et garniture

## Ajustement des panneaux de porte

Des ajustements de précision peuvent maintenant être faits pour aligner les panneaux de porte.

### REMARQUE

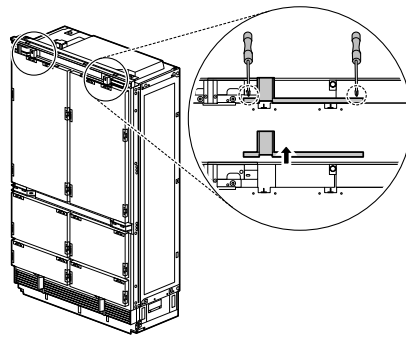
- Fixez les supports aux panneaux de porte avant de les ajuster.



- ❶ Support pour porte à deux battants
- ❷ Support de tiroir
- ❸ Support latéral pour porte à deux battants
- ❹ Support latéral pour tiroir supérieur
- ❺ Support latéral pour tiroir inférieur

## Ajustement des panneaux de porte du réfrigérateur

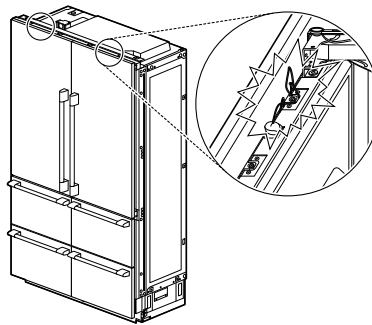
- ❶ Démontez le couvercle d'interrupteur de la porte avant d'assembler les panneaux de la porte du réfrigérateur.



- 2** Pour ajuster les panneaux de porte du réfrigérateur, suivez les instructions pour ajuster les panneaux de la porte du tiroir.

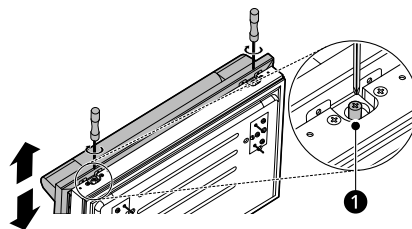
### REMARQUE

- Pour éviter d'endommager les faisceaux électriques, mettez hors de votre portée les couvercles d'interrupteur de la porte et les faisceaux électriques lorsque vous assemblez les panneaux de porte du réfrigérateur.



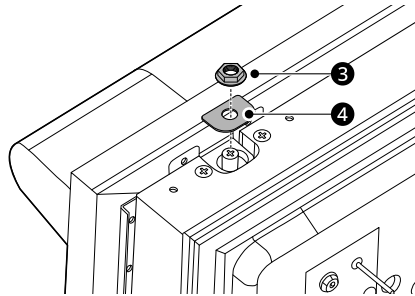
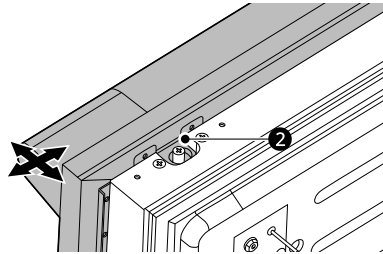
### Ajustement des panneaux de porte du tiroir

- 1** Réglez le panneau de porte verticalement, en ajustant **1**. Tournez **1** dans le sens inverse des aiguilles d'une montre pour relever le panneau. Tournez **1** dans le sens des aiguilles d'une montre pour abaisser le panneau.

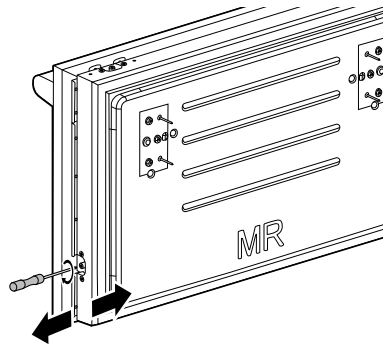


- 2** Pour régler le panneau de porte horizontalement ou d'avant en arrière, faites glisser le panneau dans les trous oblongs comme vous le souhaitez. Ensuite, montez les écrous **3** et la rondelle **4** sur les boulons **2** et serrez-les.

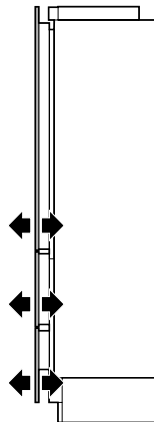
## 30 INSTALLATION

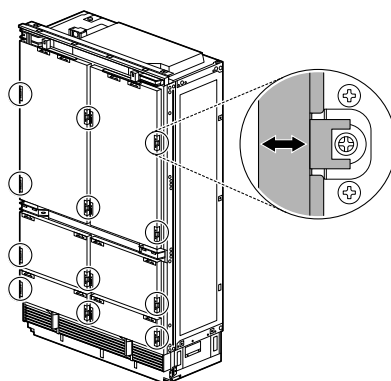


- 3** Ajustez le panneau de porte de façon diagonale en ajustant la vis sur le côté.

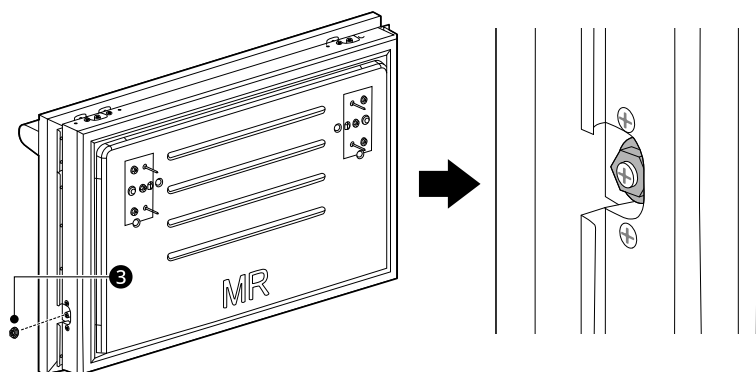


- 4** Pour ajuster l'inclinaison du panneau de porte vers la vue de côté du réfrigérateur, faites glisser le panneau dans les trous oblongs selon les besoins.



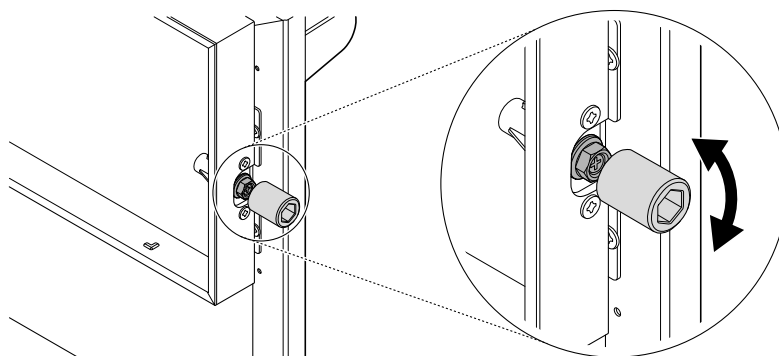


- 5** Une fois les panneaux ajustés comme vous le souhaitez, serrez les écrous **3** à l'aide de la clé fournie ou d'une clé à fourche de 12 mm.



#### REMARQUE

- Tournez l'écrou sur le côté de la porte dans le sens des aiguilles d'une montre pour le serrer.

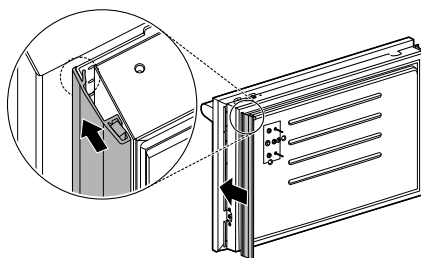


#### Installation de la garniture de porte

- Après avoir ajusté les panneaux, installez la garniture décorative latérale sur les portes.

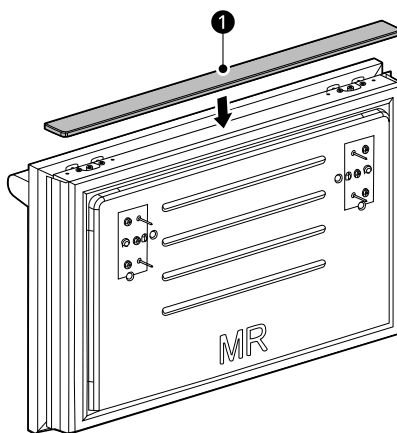
## 32 INSTALLATION

- Pour l'installer, alignez la garniture avec les brides avant et arrière sur le support, puis mettez la garniture en place en la poussant vers l'arrière du panneau. Il y a un aimant à l'arrière de la garniture qui fixera la garniture à la porte.



### Installation de la garniture supérieure ( finition) sur l'avant des tiroirs

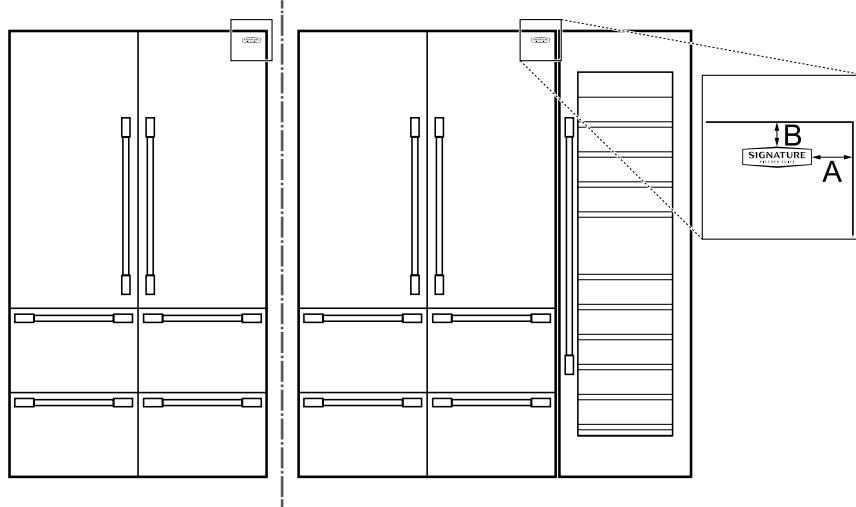
- Assemblez la garniture supérieure ❶ sur le dessus de l'avant du tiroir. Répétez l'opération pour l'avant de tous les tiroirs.



- ❶ Garniture supérieure

## Fixation de l'insigne

Fixez l'insigne à un endroit situé à 30 mm (1 3/16 po) du haut du panneau droit de la porte et à 30 mm (1 3/16 po) du côté droit, à l'horizontale.



-	Dimensions
A	1 3/16 po (30 mm)
B	1 3/16 po (30 mm)

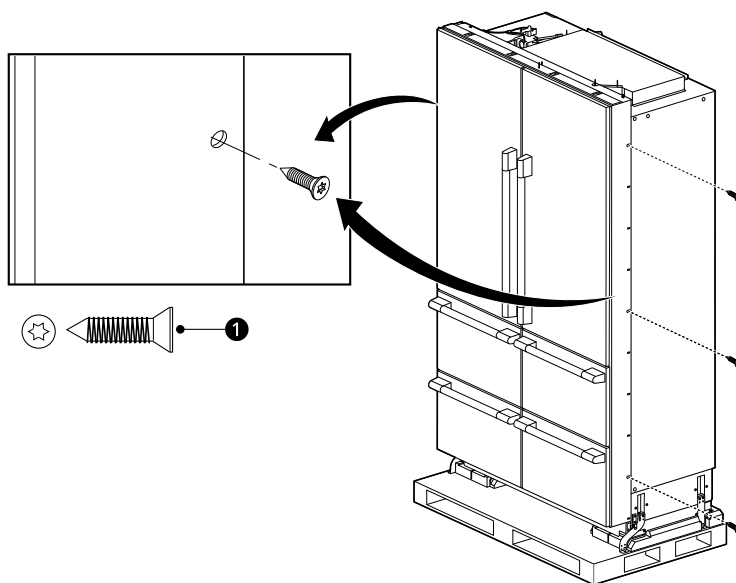
## 34 INSTALLATIONS SPÉCIALES

# INSTALLATIONS SPÉCIALES

## Accessoires

### Kit de cadre Accessoire

Pour les installations encastrées, retirez le kit de cadre du produit. Dans le cas d'une installation ultérieure ou d'un remplacement, le kit de cadre doit rester fixé au produit.



Affleurante	Proéminente

## Ajustement de la porte

### Ajustement du ressort de porte

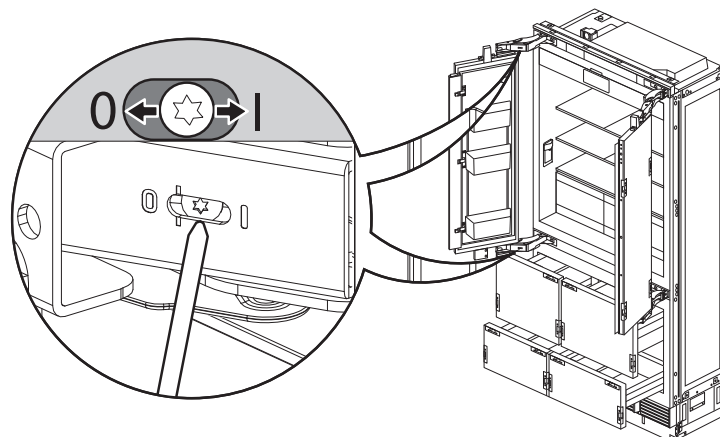
Faites tourner la vis de réglage avec l'embout T20 fourni.

Une tension de ressort maximale est recommandée.

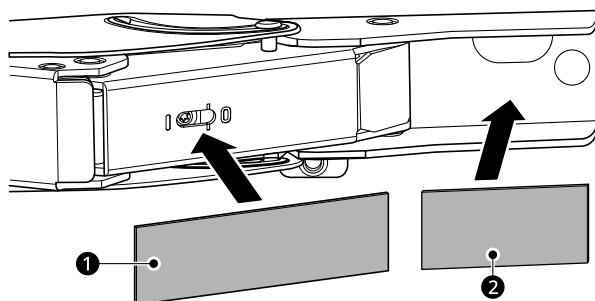
- I = tension de ressort maximale



- 0 = aucune tension de ressort

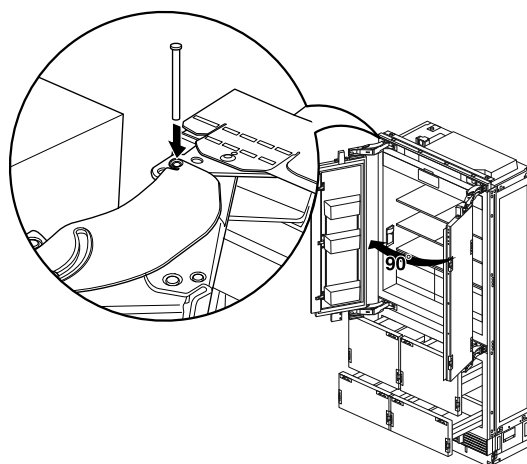


(Facultatif) Après avoir ajusté le ressort de la porte, fixez les feuilles de plastique grises pour cacher les vis de réglage ❶ et les trous de charnière ❷.



### Ajustement de la butée de porte

La position par défaut de la butée de porte est de 115°. Suivez les consignes ci-dessous pour changer la position de la butée de porte pour 90°.



- 1 Ouvrez la porte à 90°.

## 36 INSTALLATIONS SPÉCIALES

---

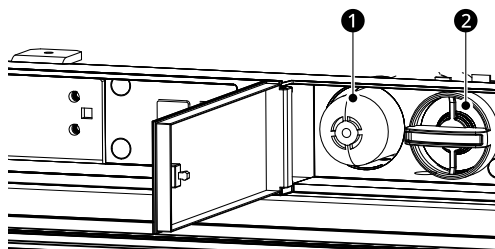
- 2 Insérez la goupille de la butée de porte dans les trous qui sont maintenant alignés à l'arrière de la charnière. Utilisez un maillet en caoutchouc pour insérer complètement la goupille.

## Filtre à eau

### Dérivation du filtre à eau

Le retrait du filtre à eau met automatiquement l'appareil en mode Dérivation du filtre. Cela permet à l'appareil de fonctionner sans filtre à eau.

### Retrait du filtre à eau



❶ Filtre à eau

❷ Bouchon

1 Poussez légèrement sur la porte d'accès du filtre à eau pour l'ouvrir.

2 Utilisez le bouchon pour faire pivoter le filtre à eau dans le sens antihoraire et retirez le filtre à eau. Veuillez consulter le manuel d'utilisation pour obtenir des consignes détaillées.

## Installation côte à côte

### Installation affleurante

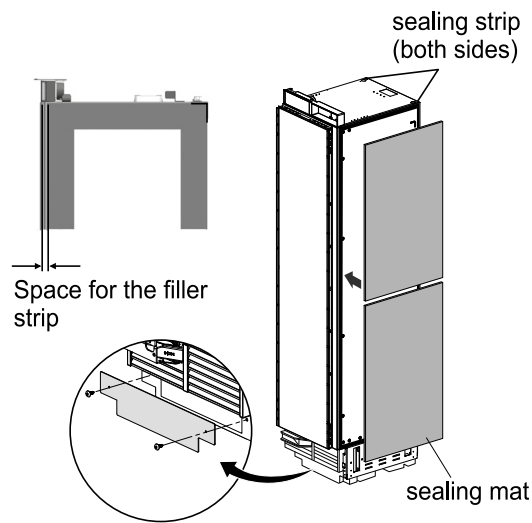
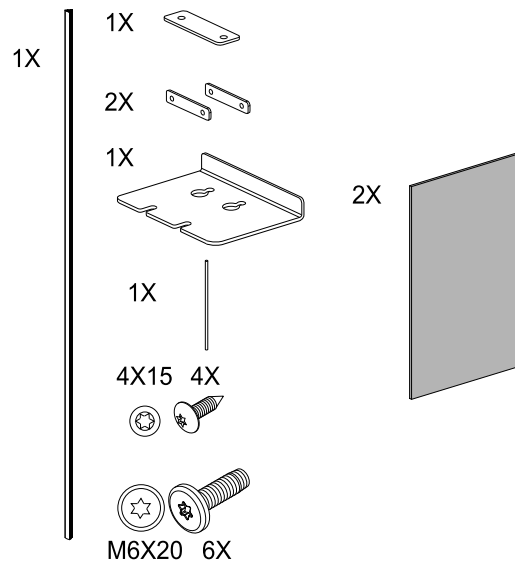
#### Dégagements pour l'installation affleurante

##### REMARQUE

- Lors de l'installation d'appareils ayant une cloison entre eux, suivez la procédure d'installation standard. La taille minimale de la cloison est de 15,2 cm (6 po) pour éviter les interférences entre les portes.
- Lorsque vous installez deux appareils côte à côte avec une porte s'ouvrant vers la gauche et une vers la droite, un dégagement de 2 mm (1/16 po) est requis entre les appareils. Cela s'applique à la fois pour les nouvelles installations et les installations après-coup.

### 38 INSTALLATIONS SPÉCIALES

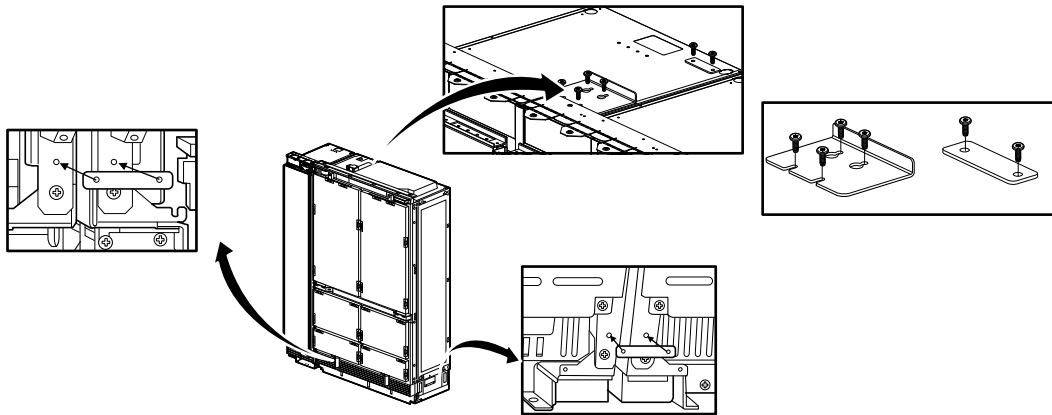
Dans le cas d'une installation affleurante côte à côte, un ensemble de raccord doit être utilisé pour unir les appareils. Un ensemble de raccord est inclus avec tous les congélateurs en colonne. L'ensemble contient un tapis d'étanchéité qui empêche la condensation de se former entre les deux appareils.



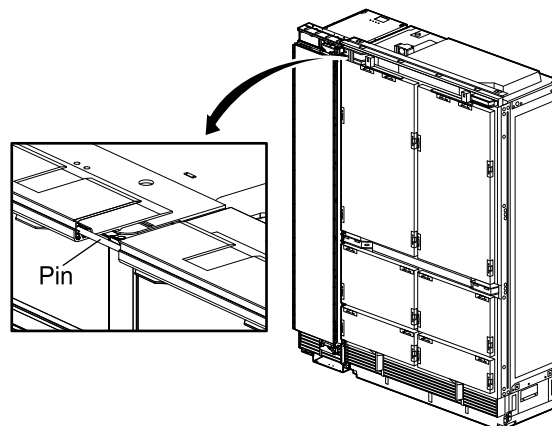
- 1** Déballez l'ensemble de raccord et assurez-vous qu'il ne manque aucun accessoire.
- 2** Placez les appareils à proximité l'un de l'autre dans la configuration d'installation voulue.
- 3** Retirez les panneaux inférieurs des deux appareils.
- 4** Sur le côté du congélateur qui fait face au réfrigérateur, fixez le tapis d'étanchéité fourni. (Le tapis d'étanchéité doit être situé entre les deux appareils après leur juxtaposition.) Installez le tapis d'étanchéité gris sur les bandes d'étanchéité noires préinstallées de manière à ce que le bord du tapis soit au même niveau que le bord arrière du congélateur. Cela laissera un petit espace libre sur le bord avant pour insérer la bande de remplissage entre les deux appareils.

Vous pouvez vous procurer des ensembles de raccord supplémentaires sur le site Web de Signature Kitchen Suite ([www.signaturekitchensuite.com](http://www.signaturekitchensuite.com)). Le numéro de pièce est SKSFJ800P.

- 5** Placez les appareils côte à côte. Fixez les deux appareils ensemble en installant des équerres de fixation entre les deux appareils en haut et en bas.



- 6** Insérez la goupille fournie dans les deux rails de recouvrement en haut des appareils combinés.



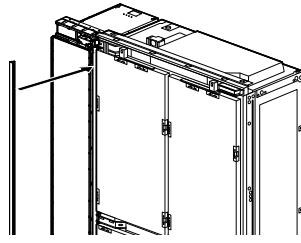
#### REMARQUE

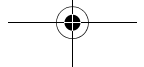
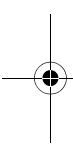
- Si vous faites l'installation après-coup des colonnes de 18 et de 36 po dans un encastrement de 1 359 mm (53 1/2 po) de large, coupez 6,4 mm (1/4 po) sur l'un des côtés des deux rails de recouvrement.

- 7** Insérez la bande de remplissage dans l'espace entre les appareils. La bande de remplissage est incluse dans l'ensemble de raccord.

## 40 INSTALLATIONS SPÉCIALES

---

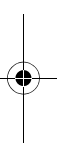
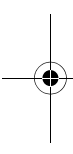




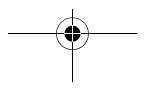
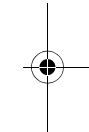
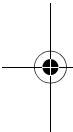


## 42 AIDE-MÉMOIRE

---



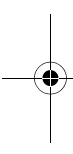


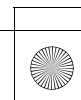
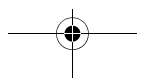
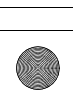
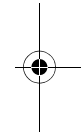
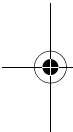




# 44 AIDE-MÉMOIRE

---







### Customer Information Center

For inquires or comments, call;

1-855-790-6655 USA, Consumer User

1-888-289-2802 CANADA, Consumer User