



ENGLISH

FRANÇAIS

ESPAÑOL

# Installation Guide

## BUILT-IN SXS REFRIGERATOR

SKSSB4202S



MFL67410837\_Rev.03

[www.signaturekitchensuite.com](http://www.signaturekitchensuite.com)

Copyright © 2022 - 2024 Signature Kitchen Suite. All Rights Reserved.

# Contents

1. Precaution before installation .....	3
2. Product and Cutout dimension .....	4
3. Precaution when moving the product .....	5
4. Cabinet diagram and maximum door opening.....	6
5. Refrigerator/Freezer door opening and how to fix at 90 degrees.....	7
6. Installation of part to prevent the product from falling over.....	7
7. Connecting power and securing space for water supply pipe.....	9
8. How to install the water supply pipe .....	10
9. Product detail dimension.....	11
10. Cabinet detail dimension.....	12
11. How to adjust the height of the refrigerator and freezer door .....	14
12. How to adjust the height of the product.....	15
13. How to disassemble/reassemble the top grill .....	16
14. Left/Right door adjuster for refrigerator and freezer .....	17

# 1. Precaution before installation

## **WARNING**

### **TIP-OVER HAZARD**

Use two or more people to move and install the refrigerator. To prevent the refrigerator from tipping over, install anti-tip brackets (provided). Failure to follow the refrigerator installation instructions can result in serious injury or death.

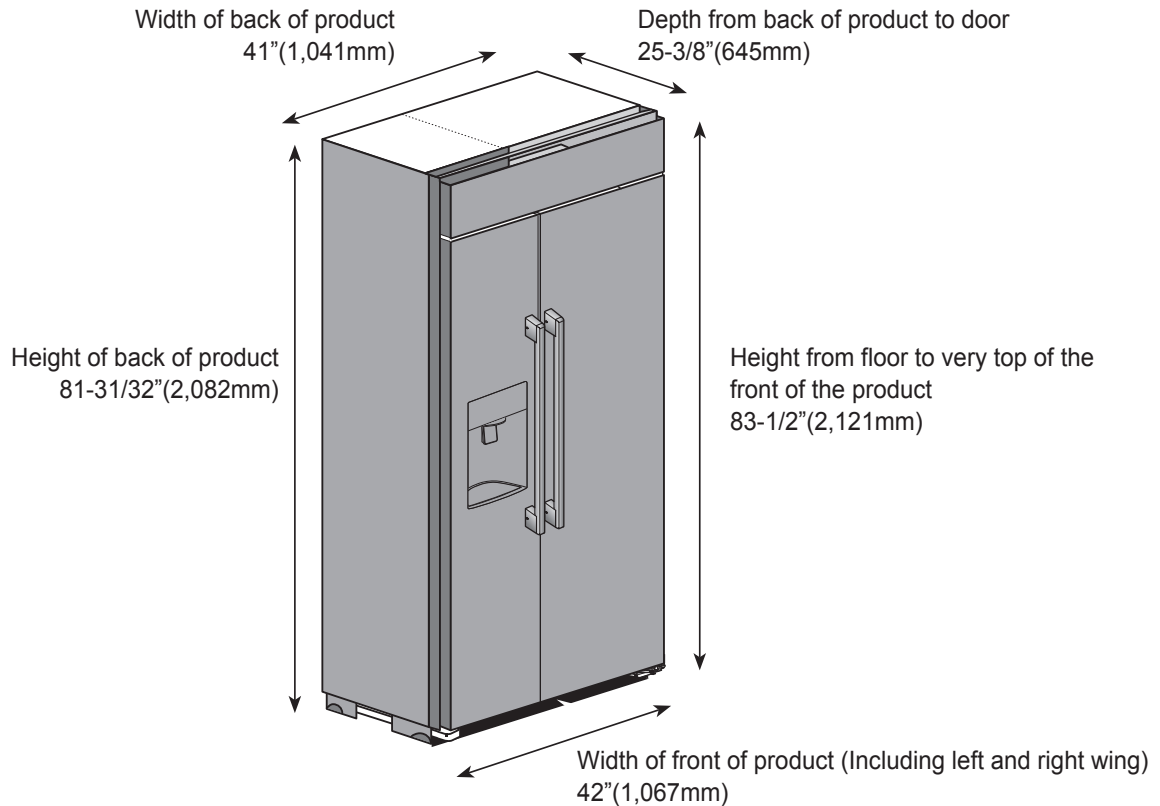


## **Precaution**

- Install the product away from the heat of the heater, boiler or direct sunlight. Install the product where air flows well and is well ventilated.
- Refer to the dimension of the cabinet and prepare the cabinet with good air circulation. Install the product so that air flows smoothly through the front air inlet. If the air circulation structure is not ensured, it may interfere with the normal operation of the product.
- Because the damage to the power cord from external animals (Rodents) can cause a fire, install the product where there is no access from external animals.
- If the cabinet is made of soft material (Ex: Plaster etc.), it can have week assembly force or even can be damaged. Therefore use the cabinet made of firm strong material.
- Use cabinet without any twisting from the heat emitted from the product or humidity from the opening and closing of the refrigerator.
- Install the product where it is leveled horizontally and vertically. (Within 1mm horizontally and vertically) If the product is not leveled horizontally and vertically, it can be difficult to install the product. (The cabinet must be made of material or must be in the structure not to cause continuous deformation when 220.5 lb(100kg) of load is applied.)
- Install the built-in refrigerator with a team of 2 people.
- When installing the product, protect the children from the use of parts and installation location.
- During the installation, take out the screw from the plastic bag one by one to avoid any injury from exposed parts.
- Avoid the use of multi-tab as it can cause a fire.
- Before installing the product, connect the product to make sure to check it is operating normally.

## 2. Product and Cutout dimension

- Product dimension (In) : 42"(1,067mm) x 83-1/2"(2,121mm) x 25-3/8"(645mm) (W x H x D)



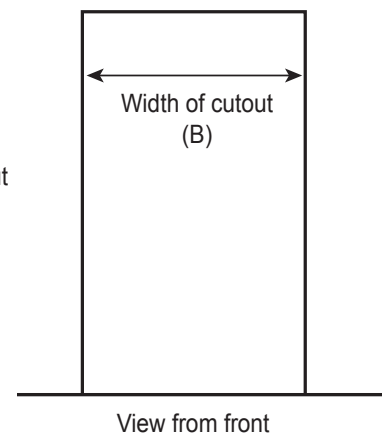
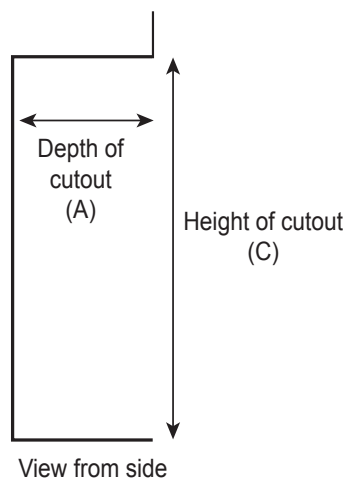
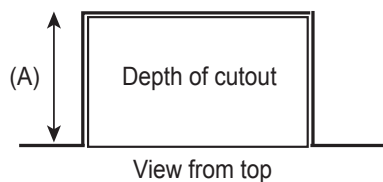
- Cutout dimension for product installation (In)

**Standard Installation** : 41-1/2"(1,054mm) X 83-3/4"(2,127mm) X 24"(610mm) (W x H x D)

**Flush Installation** : 42-1/4"(1,073mm) X 83-7/8"(2,130mm) X 26"(660mm) (W X H x D)

Check the dimension of the cutout to install the product against the dimension stated in the installation manual. The dimensions are the recommended dimensions to install the product. (If the cutout dimension is smaller than the recommended dimension, the product cannot be installed.)

	Standard Installation	Flush Installation
A	24" (610mm)	26" (660mm)
B	41-1/2" (1,054mm)	42-1/4" (1,073mm)
C	83-3/4" (2,127mm)	83-7/8" (2,130mm)



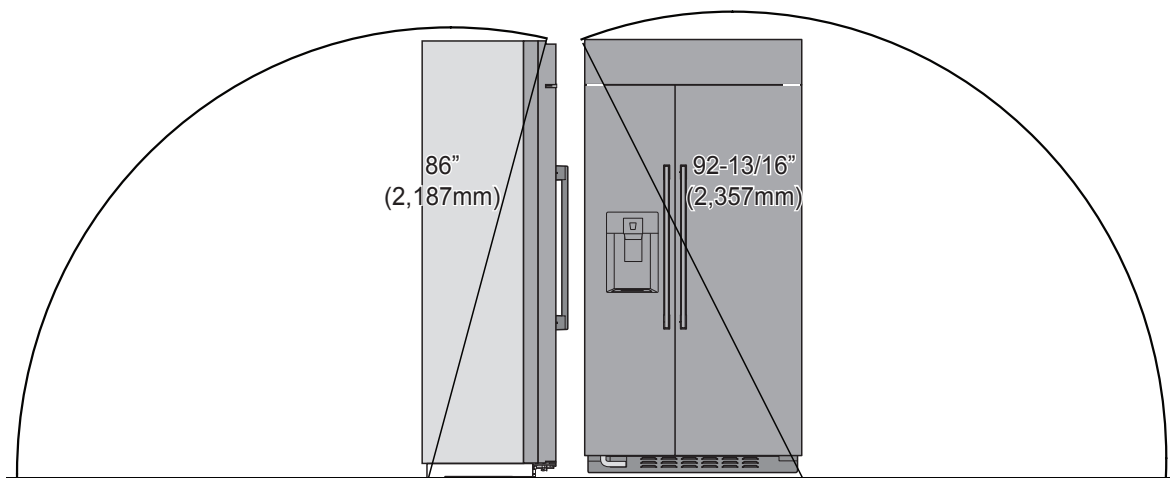
### 3. Precaution when moving the product

- Before moving the refrigerator, check the line of movement to the location to install.  
(Refer to the product dimension and rotating radius.)

1) Request the installation to the specialized technician.

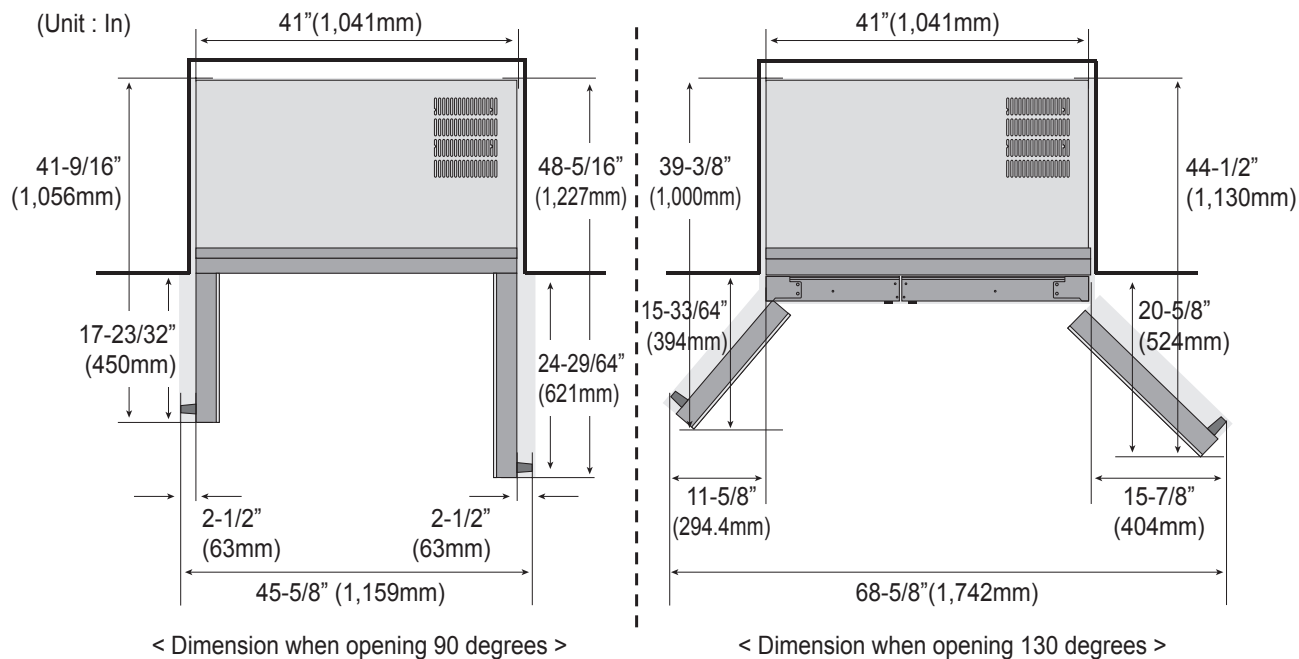
**⚠** It can cause electric shock, fire, malfunction and explosion.

2) Due to the characteristics of the built-in product, the top is heavy and can easily fall over when not installed. Therefore be careful when moving the product. Also because the product can be dangerous if left on inclined surface, always keep the product fixed or held.

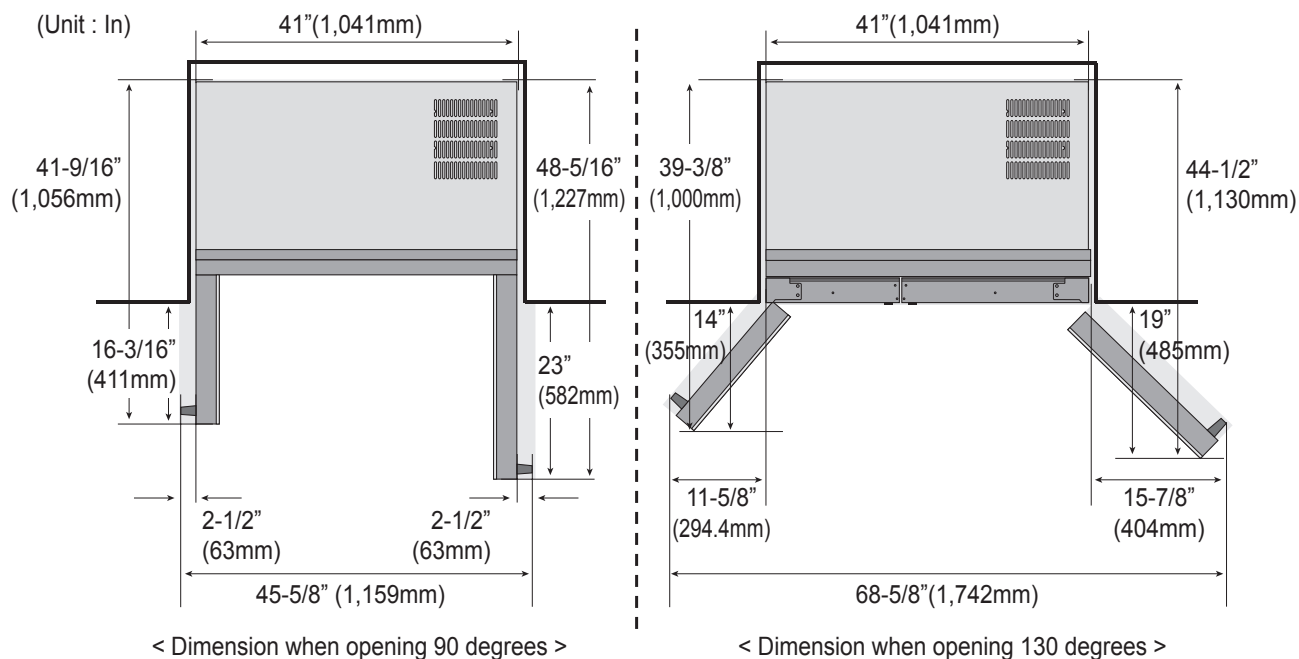


## 4. Cabinet diagram and maximum door opening

### 4-1. Standard Installation

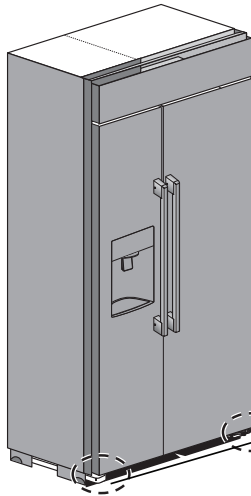


### 4-2. Flush Installation

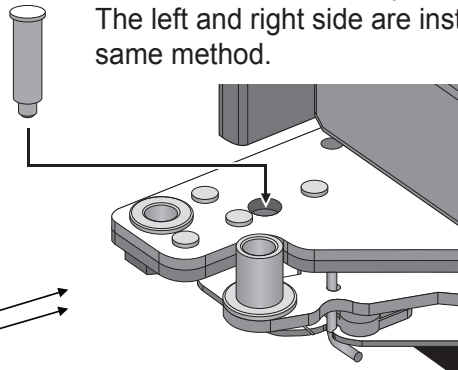


When installing the product on the wall near the corner, check the marked dimension to keep minimum distance to avoid the handle hitting the wall.

## 5. Refrigerator/Freezer door opening and how to fix at 90 degrees

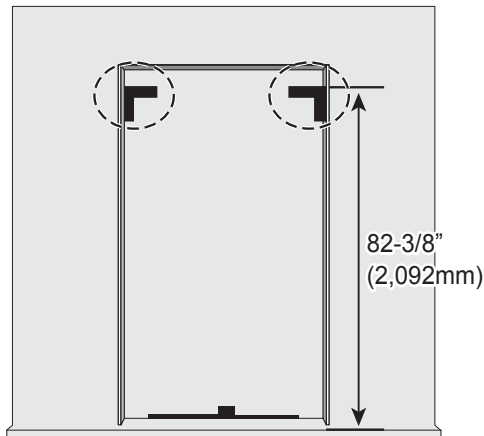


Push and install the device to keep the refrigerator door open and fixed, included in the accessory box, to the hole marked on the picture completely. The left and right side are installed in the same method.



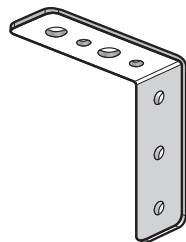
※ If the device to keep the refrigerator door open and fixed cannot be inserted, move the refrigerator door slowly in left and right direction to push it in.

## 6. Installation of part to prevent the product from falling over

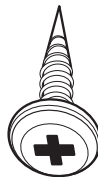


※ Because the built-in product is heavy on the top, the cabinet must be fixed firmly so that the product does not move when using it.

- Fix the side of the cabinet to the building wall or side of the furniture firmly.
- Use the part included in the accessory box as shown in the picture to fix the cabinet to both sides of the walls.
- If the part prevent the product from falling over is not installed in the correct location, the product can fall over to cause severe injury or death.



Part to prevent product from falling over x 2



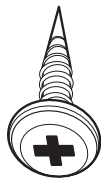
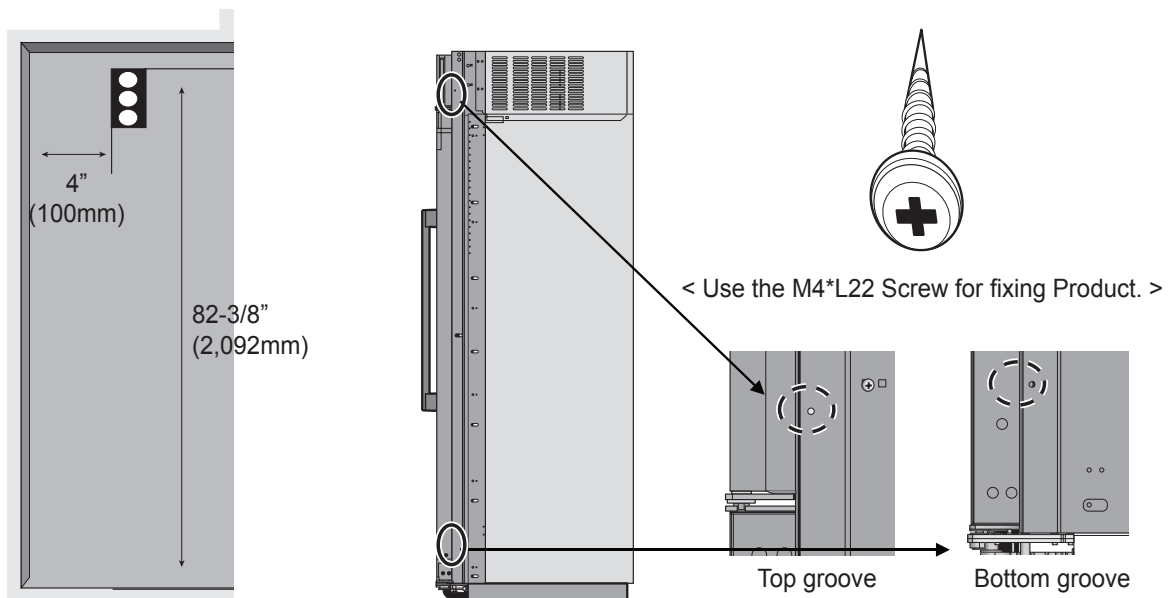
M4\*L12 screw x 6



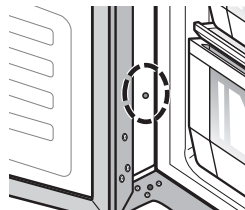
M4\*L22 screw x 8  
Spare screws may be included

## 6. Installation of part to prevent the product from falling over

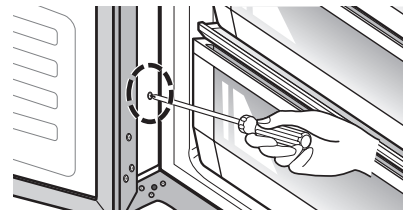
- 1) Check if all the described parts are included in the accessory box.
- 2) Based on the recommended dimension on the picture, place the part to prevent the product from falling over. (Same for both left and right side)
- 3) Use the M4\*L12 screw included in the accessory box to tighten 3 locations respectively on left and right side.  
(Tighten the screws completely so that the part is not loose from the cabinet.)
- 4) Place the product on the cabinet and then use the M4\*L22 screw included in the accessory box to tighten 4 locations respectively on left and right side on the groove marked on the picture after checking whether the product is leveled and checking the level difference between the refrigerator and freezer door and the alignment between the front part of the product against the cabinet etc.  
(When inserting the refrigerator in the cabinet, be careful not to get the hand caught.)



< Use the M4\*L12 Screw for fixing anti tip over bracket. >



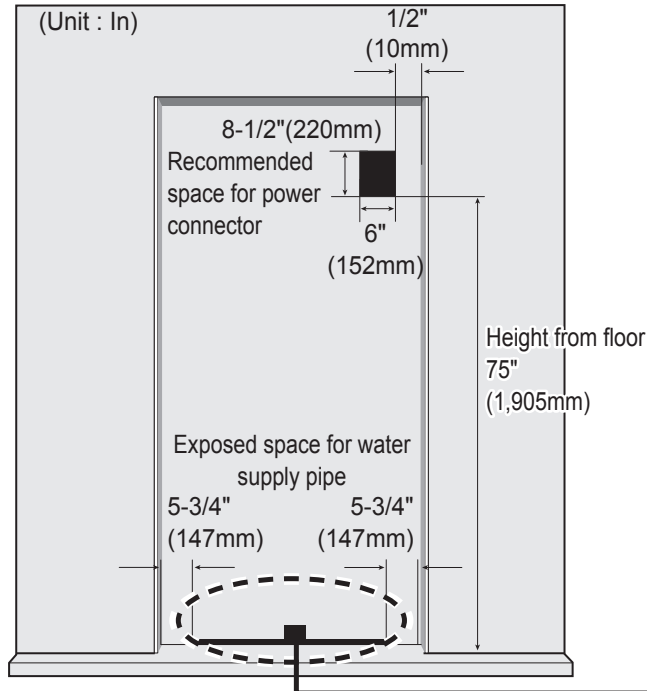
< Example of installation >



< Example of installation >



## 7. Connecting power and securing space for water supply pipe



### - Power connection

The location of the 115V 60Hz power connector must be located on the rear side of the product as shown in the picture.

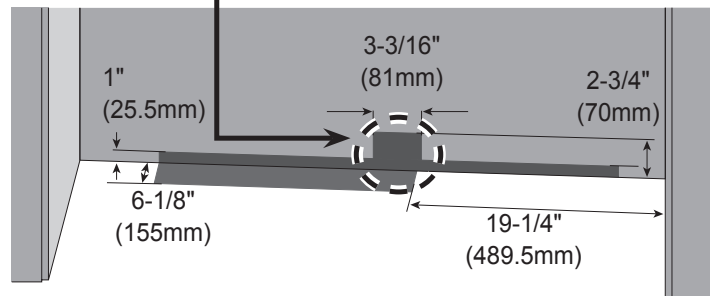
When installing the product, make sure to check whether the cord is hung on the hook on the rear side so that it is not pressed on the refrigerator. Damaged power cord can cause a fire.

### - Installation space for water supply pipe

Place the water hose for ice maker and water dispenser as shown in the picture, and prepare hose to come up from the floor.

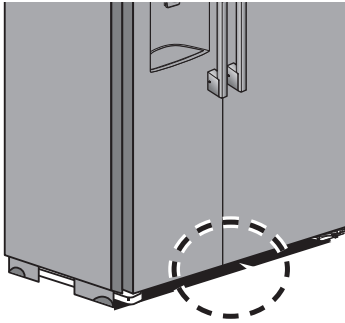
(Copper pipe with diameter of 5/16" (8mm) is recommended for the water hose.)

If the water pipe and water hose is located far from the product, bury the water hose on the floor and provide appropriate treatment.



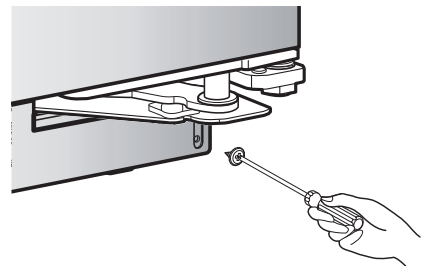
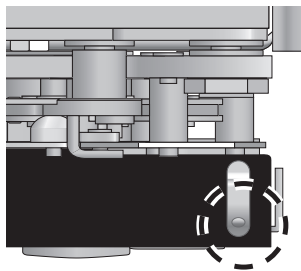
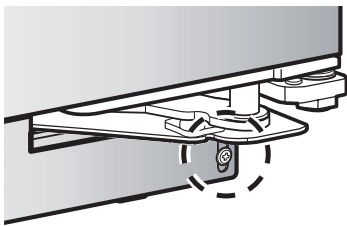
- ⚠ Make sure the location of the water supply pipe is within the marked range.
- ⚠ Before connecting the power, always make sure to ground the product. (If the product is not grounded, the user may be able to feel the electricity due to the minute leakage current when touching the refrigerator door handle or side corner even when there is no issue with the product.)
- ⚠ Do not ground the product to gas pipe, plastic water pipe or telephone wire etc. It can cause electric shock and explosion.

## 8. How to install the water supply pipe

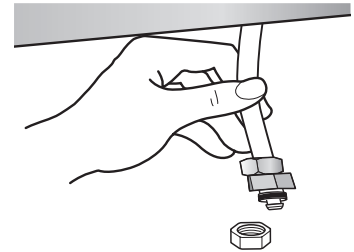


※ Check the location and installation detail of the water service pipe on the previous page before connecting the water supply pipe. Before inserting the product completely into the cabinet, check if there is any water leakage.

- 1) Disassemble the bottom grill.  
(Both the left and right sides are disassembled and reassembled in the same method.)  
- Use the (+) driver to disassemble the bottom grill.

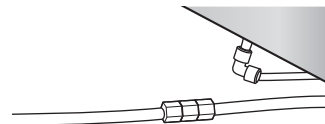
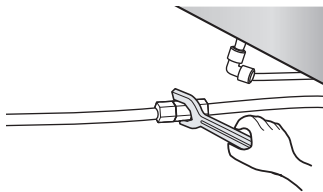


- 2) Pull out the water supply pipe from the bottom of the product and prepare to disassemble/reassemble the connecting part of the water service pipe.



- 3) After connecting the water supply pipe and the water service pipe, tighten them with a spanner to avoid any leakage. After installing the product within the cabinet, recheck for any water leakage.

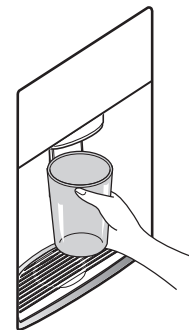
※ Prepare a bucket under the water service pipe connector before checking for any water leakage to avoid ruining the flooring material and carpet etc.



- 4) Reassemble the bottom grill in the reverse order of 1).

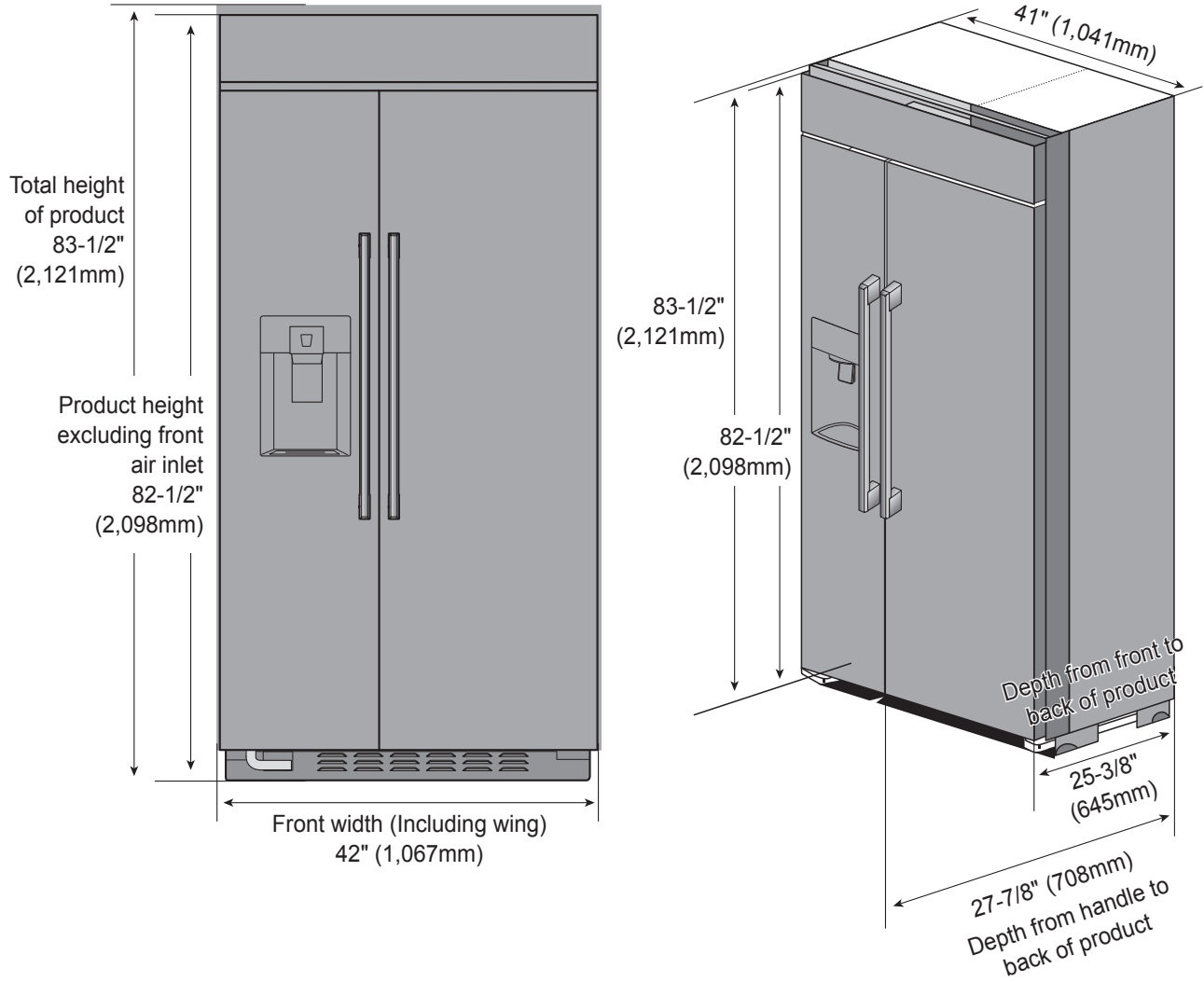
- 5) Flush air from the system by running water through the dispenser continuously for 5 gallon.

**Note:** Allow 1~2 minute delay in water dispersal to allow internal water tank to fill.



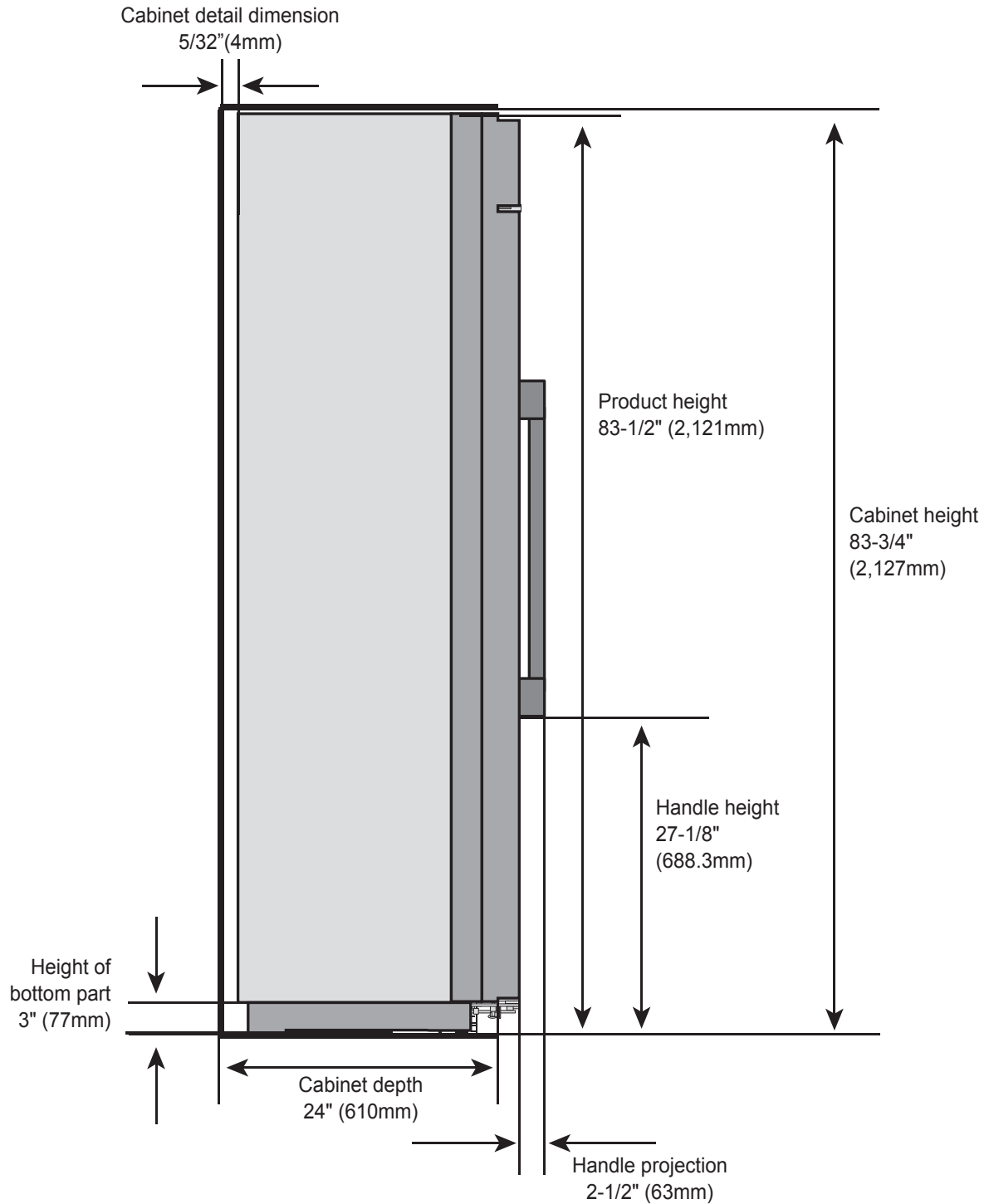
## 9. Product detail dimension

ENGLISH

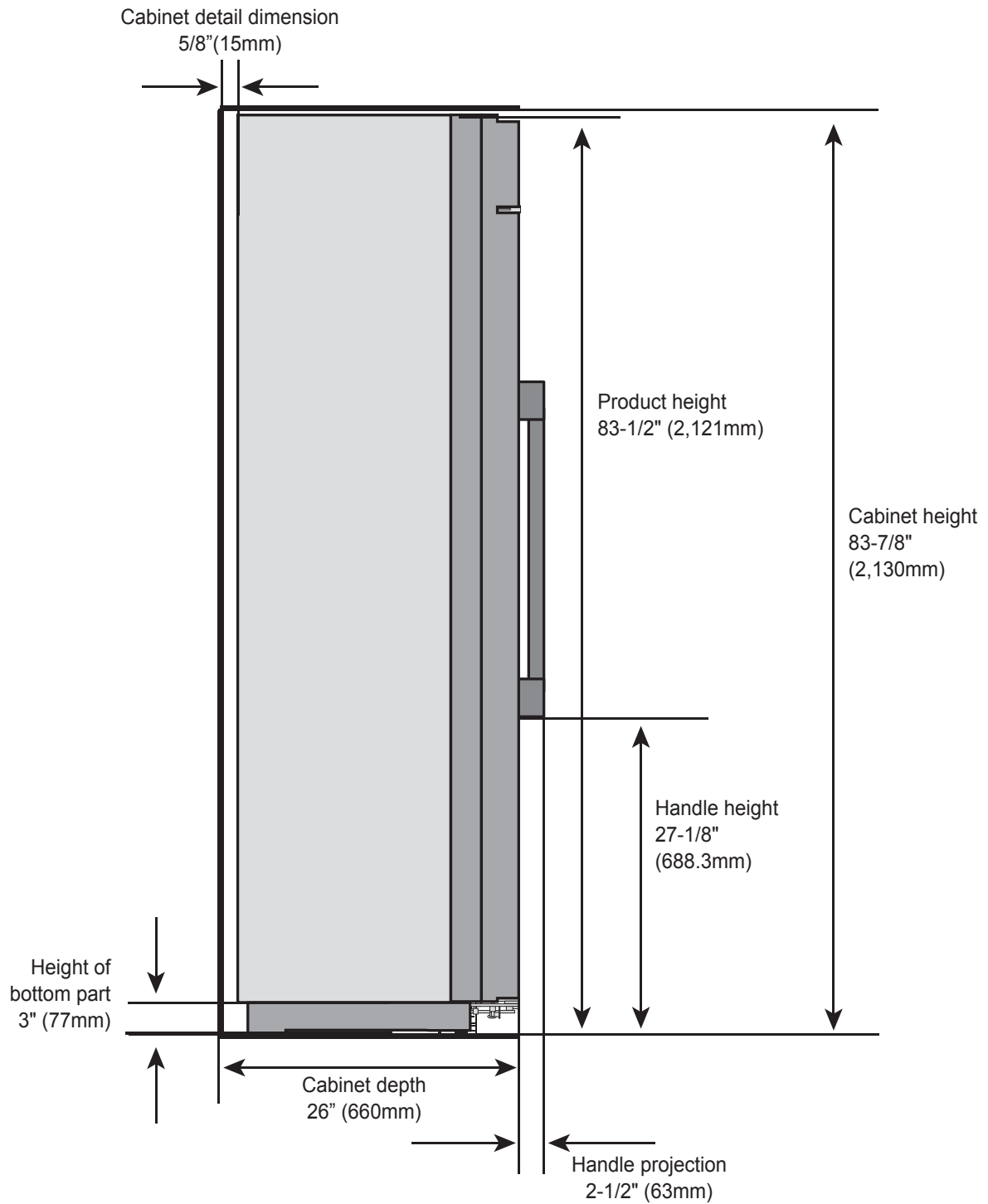


## 10. Cabinet detail dimension

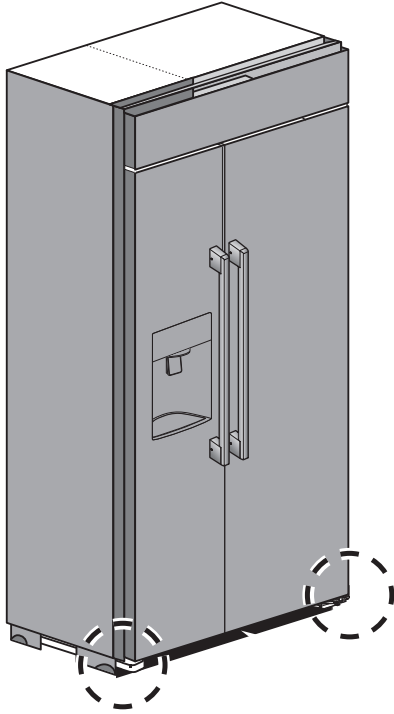
### 10-1. Standard Installation



## 10-2. Flush Installation



## 11. How to adjust the height of the refrigerator and freezer door



1) If the height of the refrigerator and freezer is different, turn the bottom door height adjustment bolt to adjust the height.

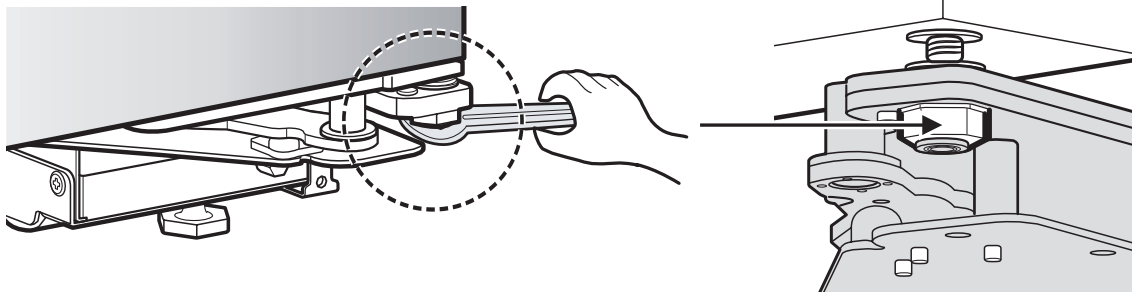
- The refrigerator and freezer door can be adjusted by 1/8" (3mm) respectively.

- M6 wrench to adjust the height of the door is not included in the accessory box. (For accurate height adjustment, it is recommended to contact the service center.)

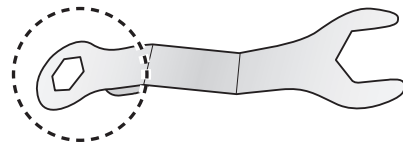
※ If the height of the door is adjusted excessively on left/right side, the door close sensor may not recognize well and the door may not be closed.

2) Adjustment order (Adjustment method is same for both left and right side.)

- Loosen the nut to prevent it from loosening. (Using Spanner.)



※ It is convenient to use the small hole on the back of the spanner included in the accessory box.



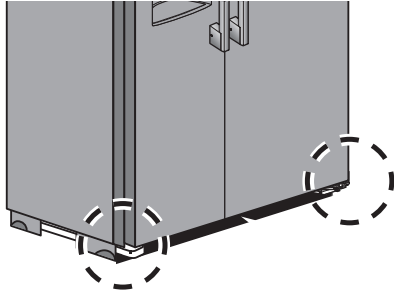
- Use the M6 wrench to adjust the height. (Turn clockwise to raise the refrigerator door.)



## 12. How to adjust the height of the product

### WARNING

To reduce the possibility of the unit tipping forward, the front leveling legs must be in contact with the floor.

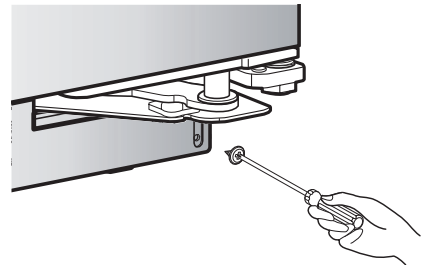
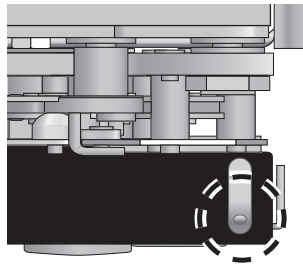
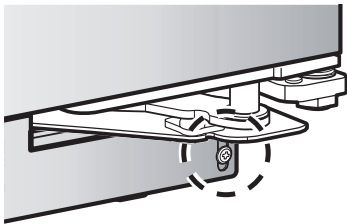


1) Use the height adjuster on the front/rear side to level the product and adjust the height on both left and right side.

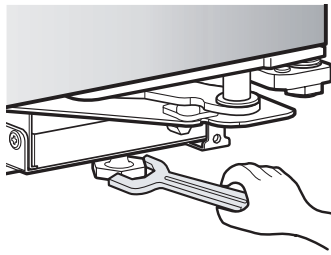
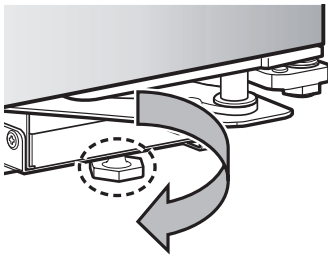
※ For built-in product, adjust the height of and level the product during the initial installation.  
(For accurate height adjustment, it is recommended to contact the service center.)

2) Adjustment order (Adjustment method is same for both left and right side.)

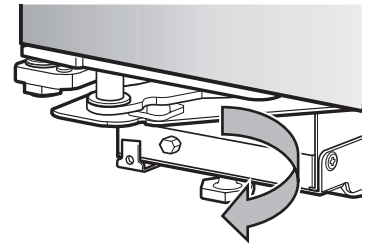
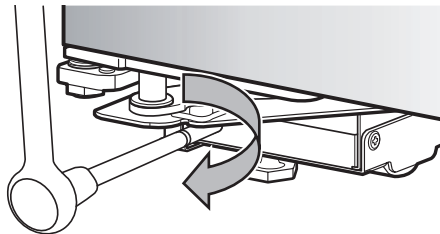
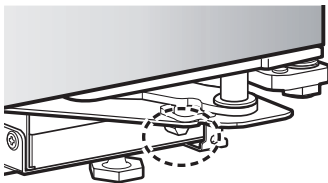
- Disassemble the bottom grill using the (+) driver.



- Use the front height adjuster to adjust the height. (Turn clockwise to raise the product.)



- Use the M8 spanner to adjust the height adjuster on the rear side.  
(Turn clockwise to raise the product.)

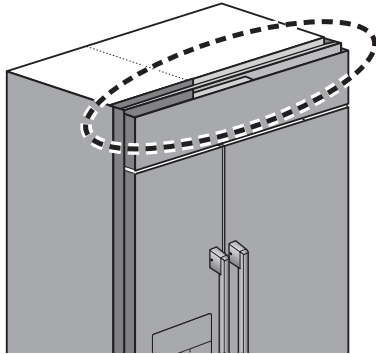


※ M8 spanner is not included in the accessory box.

3) Make sure the weight of the refrigerator is carried on the legs, not the wheels.

4) After adjusting the height, always make sure to install the bottom grill.

## 13. How to disassemble/reassemble the top grill

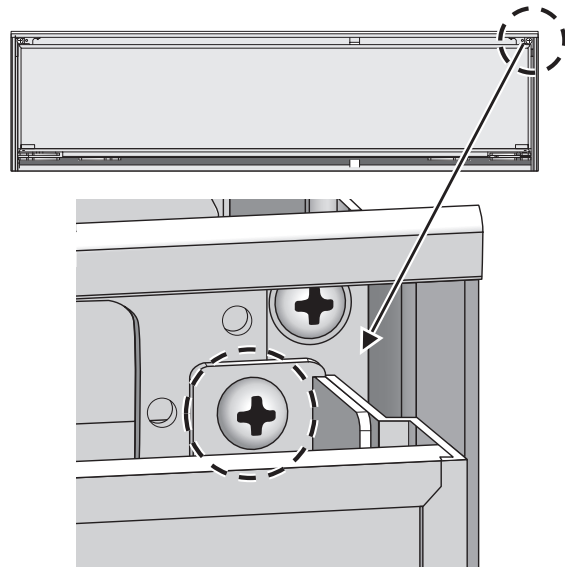


1) To adjust the left/right door, the top grill must be disassembled first.

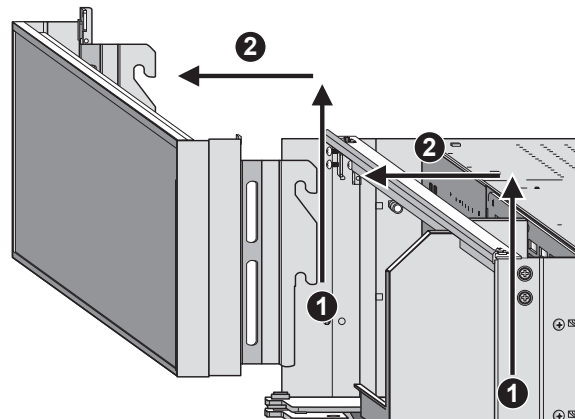
- \* Because the corners can be sharp, make sure to be careful during the task.
- \* After disassembling the top grill, place it at a safe location to avoid any scratch on the panel.

2) Top grill disassembly and reassembly order

- Loosen the indicated screws and keep them safely.  
(Left and right are symmetrical)



- Lift up the top grill as shown in the picture to pull it out to the front.
- \* For the safety of the customer, there is a hook on the left/right side of the top grill. If the part is separated with excessive force, it can cause an injury.



- Reassembly can be done in the reverse order.



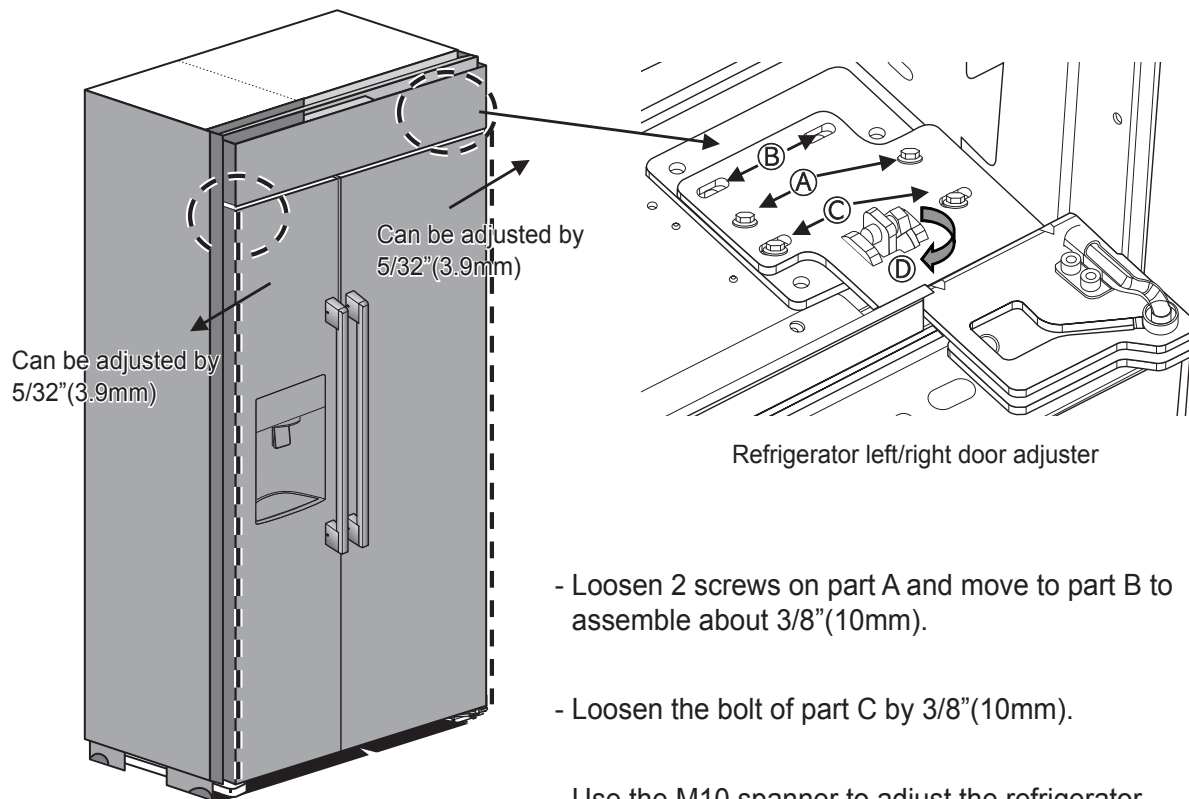
## 14. Left/Right door adjuster for refrigerator and freezer

1) The gap between the refrigerator and freezer is  $\frac{5}{16}$ "(8mm) by factory default. If the gap between the refrigerator and freezer door changes during the product installation, use the left/right door adjuster to maintain the gap.

- The refrigerator and freezer door can be adjusted by  $\frac{5}{32}$ "(3.9mm) respectively.
- M10 spanner for left/right adjustment is not included in the accessory box.  
(For accurate left/right adjustment, it is recommended to contact the service center.)

2) Adjustment order

- ▶ Refrigerator left/right door adjuster



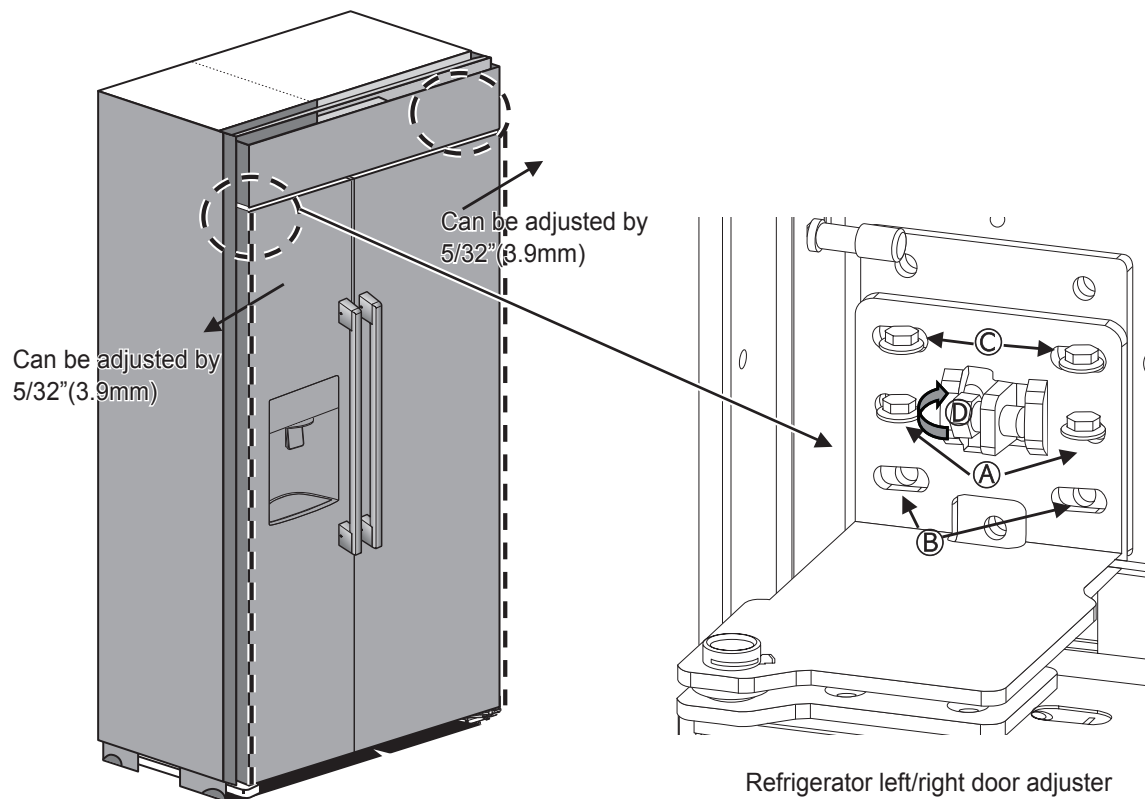
Refrigerator left/right door adjuster

- Loosen 2 screws on part A and move to part B to assemble about  $\frac{3}{8}$ "(10mm).
- Loosen the bolt of part C by  $\frac{3}{8}$ "(10mm).
- Use the M10 spanner to adjust the refrigerator left/right for part D.
  - \* When part D is rotated 2 times, the refrigerator door must move by  $\frac{1}{32}$ "(1mm).
  - \* When part D is turned counterclockwise, the product moves toward the outer side.

## 14. Left/Right door adjuster for refrigerator and freezer

### 2) Adjustment order

#### ► Refrigerator door left/right adjuster



- . Loosen 2 screws on part A and move to part B to assemble about  $3/8$ " (10mm).
- . Loosen the bolt of part C by  $3/8$ " (10mm).
- . Use the M10 spanner to adjust the Freezer left/right for part D.
  - \* When part D is rotated 2 times, the Freezer door must move by  $1/32$ " (1mm).
  - \* When part D is turned counterclockwise, the product moves toward the outer side.



FRANÇAIS

Guide d'installation  
**RÉFRIGÉRATEUR AMÉRICAIN  
ENCASTRABLE**

SKSSB4202S

[www.signaturekitchensuite.com](http://www.signaturekitchensuite.com)

P/No. : MFL67410837\_Rev.03

Copyright © 2022 - 2024 Signature Kitchen Suite. Tous droits réservés.

# Table des matières

1. Précautions avant l'installation .....	3
2. Appareil et dimension de découpe .....	4
3. Précautions lors du déplacement de l'appareil.....	5
4. Diagramme de l'armoire et ouverture maximale de la porte .....	6
5. Ouverture de la porte du réfrigérateur/congélateur et fixation à 90 degrés.....	7
6. Installation de la pièce pour empêcher l'appareil de tomber.....	7
7. Connexion de l'alimentation et espace de sécurité pour le tuyau d'alimentation en eau.....	9
8. Comment installer le tuyau d'alimentation en eau .....	10
9. Dimensions détaillées de l'appareil .....	11
10. Dimensions détaillées de l'armoire.....	12
11. Ajustement de la hauteur de la porte du réfrigérateur et du congélateur .....	14
12. Ajustement de la hauteur du réfrigérateur .....	15
13. Comment démonter/réinstaller la grille supérieure.....	16
14. Dispositif de réglage de la porte gauche/droite du réfrigérateur et du congélateur .....	17

# 1. Précautions avant l'installation

## **AVERTISSEMENT**

### **RISQUE DE BASCULEMENT**

Il faut deux ou plusieurs personnes pour déplacer et installer le réfrigérateur. Pour éviter que le réfrigérateur ne bascule, installer les supports antibasculement (inclus). Ne pas respecter les instructions d'installation du réfrigérateur peut causer des blessures graves ou la mort.



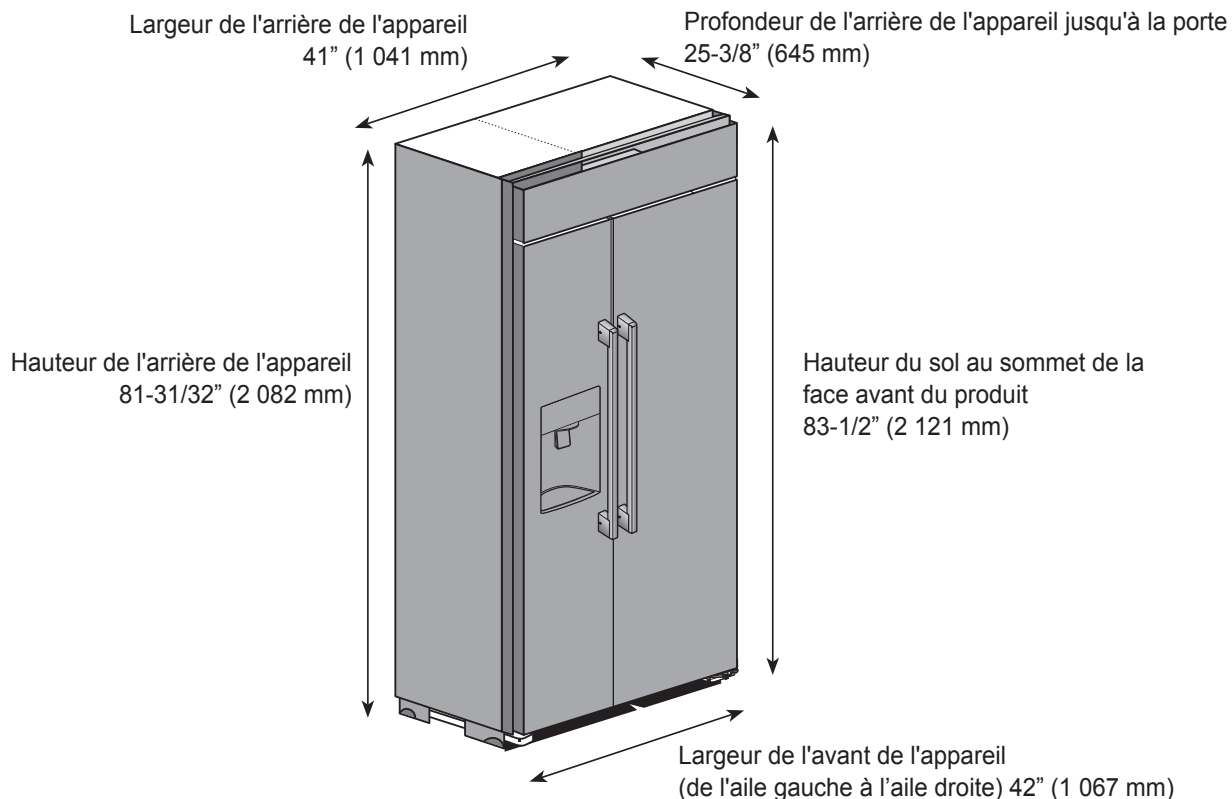
FRANÇAIS

## **Attention**

- Installer l'appareil loin de toute source de chaleur, bouilloire ou exposition directe au soleil. Installer l'appareil dans un endroit où l'air circule librement et qui est bien ventilé.
- Selon les dimensions de l'armoire, s'assurer de la bonne circulation de l'air. Installer l'appareil de manière à ce que l'air circule librement à travers l'entrée d'air à l'avant. Si la bonne circulation de l'air n'est pas assurée, cela peut interférer avec le fonctionnement de l'appareil.
- Installer l'appareil à un endroit où des animaux venant de l'extérieur (rongeurs) n'ont pas accès, car les dommages qu'ils peuvent causer sur le cordon d'alimentation peuvent provoquer un incendie.
- Si l'armoire est faite d'un matériau souple (ex : plâtre, etc.), elle peut avoir une faible force d'assemblage ou peut même être endommagée. Il est mieux d'utiliser une armoire constituée de matériau ferme et solide.
- Utiliser une armoire que la chaleur ou l'humidité émise par l'appareil ne déforme pas lors de l'ouverture et de la fermeture du réfrigérateur.
- Installer l'appareil à un endroit où il est nivelé horizontalement et verticalement (à moins de 1 mm horizontalement et verticalement). Si l'appareil n'est pas nivelé horizontalement ou verticalement, l'installation peut être plus difficile. (L'armoire doit être composée d'un matériau ou doit être dans une structure qui ne se déforme pas lorsqu'une charge de 220,5 lb (100 kg) est appliquée.)
- Installer le réfrigérateur encastré avec une équipe de deux personnes.
- Lors de l'installation de l'appareil, éloigner les enfants des pièces et du lieu de l'installation.
- Pendant l'installation, retirer les vis une à la fois du sac de plastique afin d'éviter des blessures provenant de pièces exposées.
- Éviter l'utilisation de plusieurs onglets car cela peut provoquer un incendie.
- Avant d'installer l'appareil, le connecter afin de s'assurer qu'il fonctionne normalement.

## 2. Appareil et dimension de découpe

- Dimensions de l'appareil : 42" (1 067 mm) x 83-1/2" (2 121 mm) x 25-3/8" (645 mm) (L x H x P)



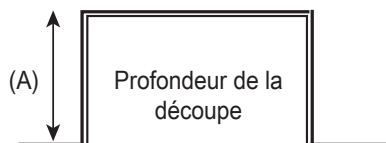
- Dimensions de la découpe pour l'installation de l'appareil

**Installation standard** : 41-1/2" (1 054 mm) X 83-3/4" (2 127 mm) X 24" (610 mm) (L x H x P)

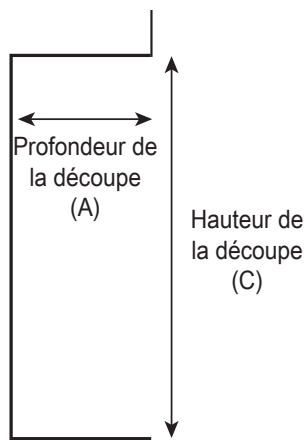
**Installation encastrée** : 42-1/4" (1 073 mm) X 83-7/8" (2 130 mm) X 26" (660 mm) (W X H x D)

Vérifier les dimensions de la découpe afin d'installer l'appareil en respectant les dimensions indiquées dans le manuel d'installation. Les dimensions sont celles recommandées pour l'installation de l'appareil. (Si les dimensions de la découpe sont plus petites que les dimensions recommandées, l'appareil ne pourra pas être installé.)

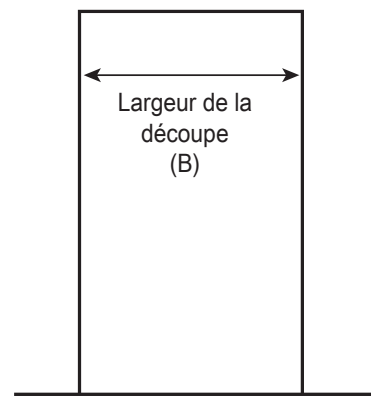
	Installation standard	Installation encastrée
A	24" (610 mm)	26" (660 mm)
B	41-1/2" (1 054 mm)	42-1/4" (1 073 mm)
C	83-3/4" (2 127 mm)	83-7/8" (2 130 mm)



Vue du haut



Vue latérale



Vue de devant

### 3. Précautions lors du déplacement de l'appareil

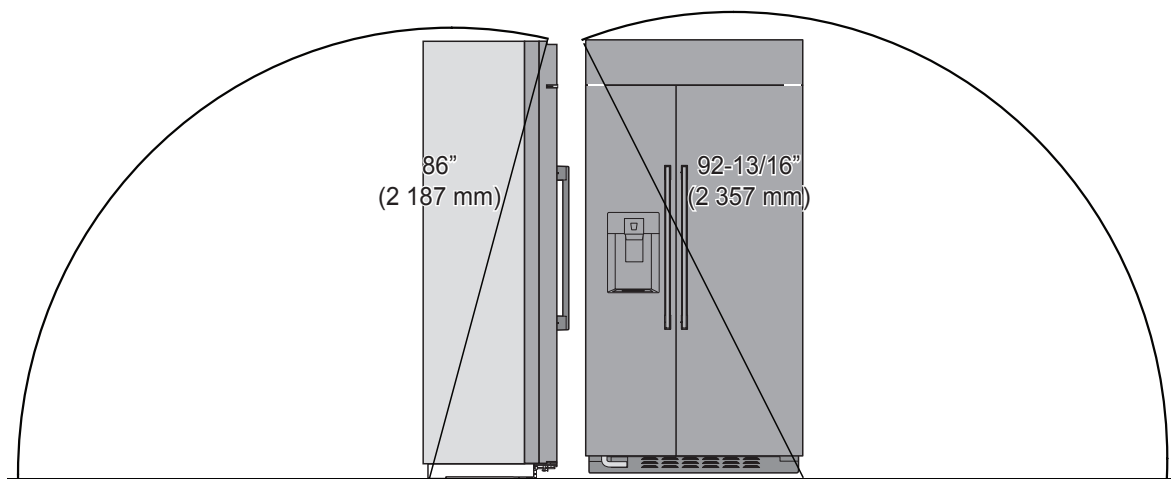
- Avant de déplacer le réfrigérateur, vérifier la ligne de mouvement jusqu'à l'endroit de l'installation. (Se référer aux dimensions de l'appareil et aux rayons de rotation.)

1) Demander l'aide d'un technicien spécialisé pour l'installation.

**⚠** Cela peut causer un choc électrique, un incendie, une défectuosité ou une explosion.

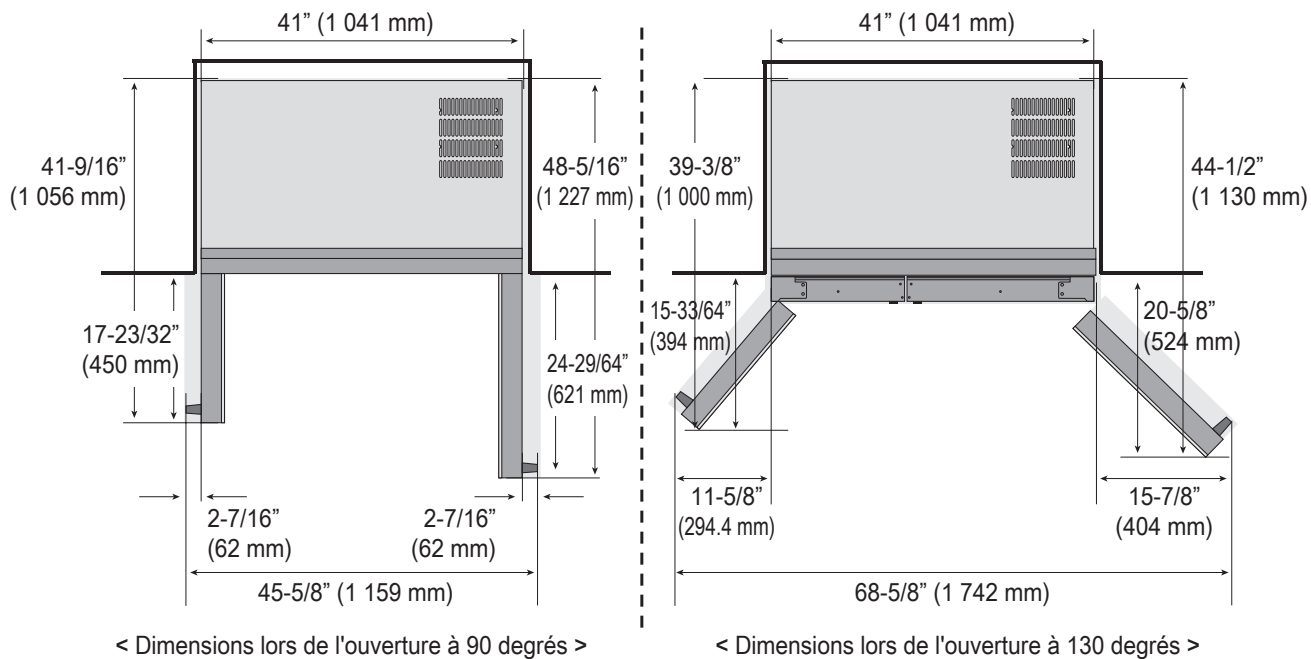
2) Étant donné les caractéristiques spécifiques de l'appareil encastré, la partie supérieure est très lourde et peut facilement tomber lorsque l'appareil n'est pas installé. Par conséquent, être très vigilant lors du déplacement de l'appareil. Étant donné que l'appareil peut être un danger s'il est laissé sur une surface inclinée, il faut toujours le maintenir fixé et retenu.

FRANÇAIS

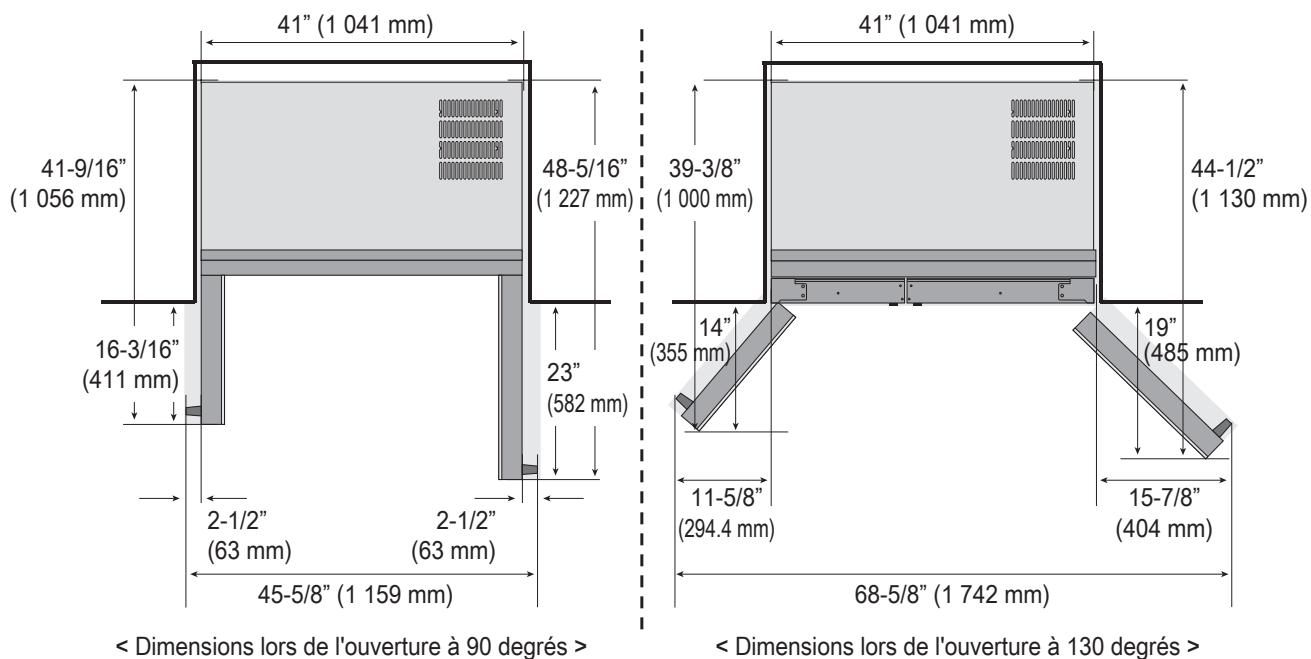


## 4. Diagramme de l'armoire et ouverture maximale de la porte

### 4-1. Installation standard



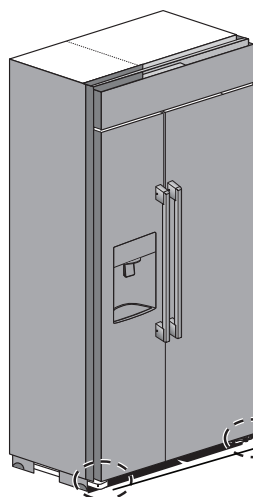
### 4-2. Installation encastrée



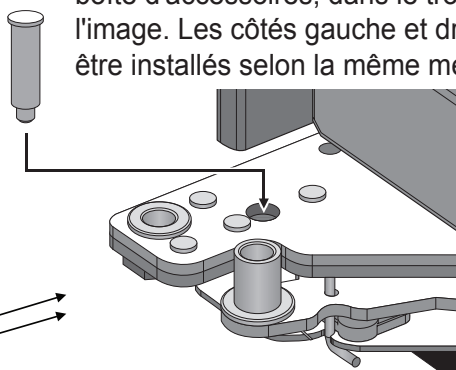
Lorsque vous installez l'appareil sur le mur près du coin, vérifiez les dimensions indiquées pour maintenir une distance minimale afin d'éviter que les poignées ne heurtent le mur.



## 5. Ouverture de la porte du réfrigérateur/ congélateur et fixation à 90 degrés



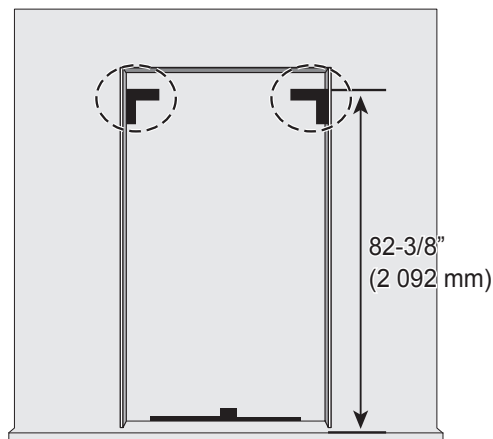
Pour maintenir la porte du réfrigérateur ouverte et fixe, enfoncez et installez complètement le dispositif, inclus dans la boîte d'accessoires, dans le trou indiqué sur l'image. Les côtés gauche et droit doivent être installés selon la même méthode.



※ Si le dispositif qui doit maintenir la porte du réfrigérateur ouverte ne peut pas être inséré, déplacez lentement la porte du réfrigérateur de gauche à droite pour la pousser vers l'intérieur.

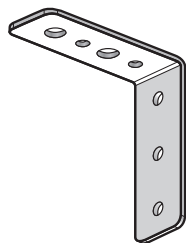
FRANÇAIS

## 6. Installation de la pièce pour empêcher l'appareil de tomber

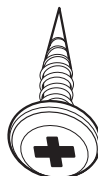


※ L'armoire doit être fixée fermement afin que l'appareil ne bouge pas lors de l'utilisation étant donné que la partie supérieure de l'appareil encastré est très lourde.

- Fixez le côté de l'armoire au mur du bâtiment ou sur le côté du meuble fermement.
- Utilisez la pièce incluse dans la boîte d'accessoires comme indiqué sur l'illustration pour fixer l'armoire aux deux côtés des murs.
- Si la pièce de fixation de l'appareil n'est pas installée à l'endroit approprié, l'appareil peut tomber et causer des blessures graves ou la mort.



Pièce pour empêcher l'appareil de tomber x 2



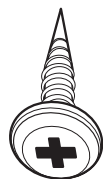
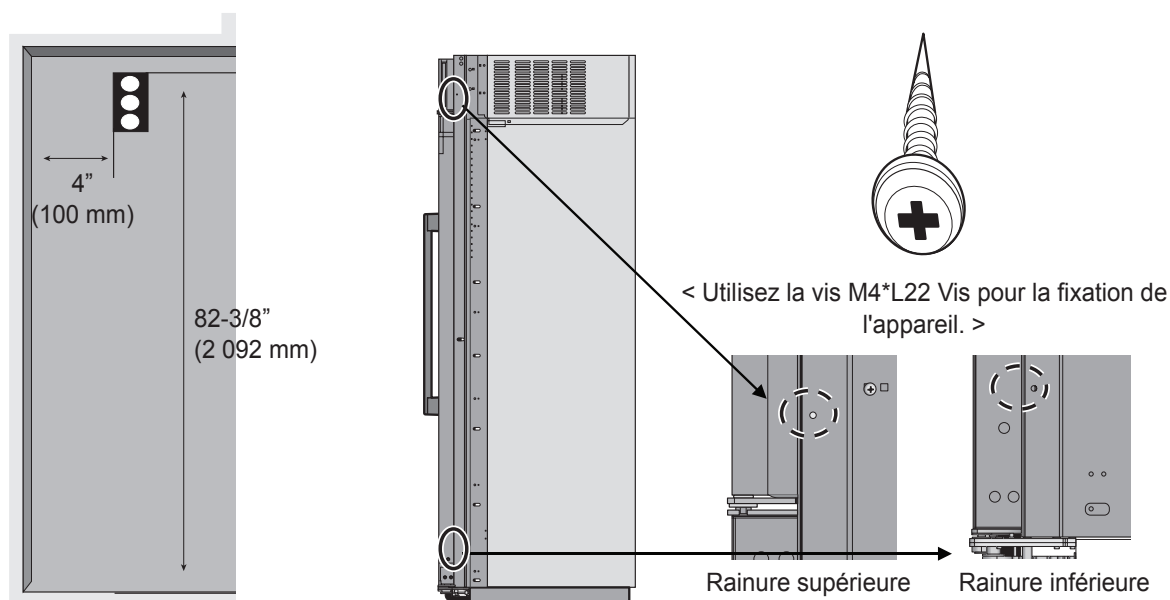
Vis M4\*L12 x 6



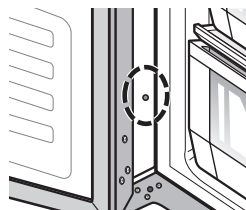
Vis M4\*L22 x 8  
Des vis de rechange peuvent être fournies

## 6. Installation de la pièce pour empêcher l'appareil de tomber

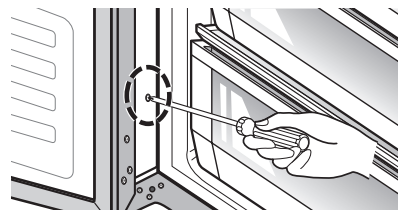
- 1) Vérifiez que toutes les pièces décrites sont incluses dans la boîte d'accessoires.
- 2) Selon les dimensions recommandées sur l'illustration, installez la pièce qui empêche l'appareil de tomber (même étape pour les côtés gauche et droit).
- 3) Utilisez les vis M4\*L12 incluses dans la boîte d'accessoires pour fixer les trois emplacements respectivement des côtés gauche et droit. (Serrez les vis complètement afin que la pièce ne se détache pas de l'armoire.)
- 4) Placez l'appareil dans l'armoire puis, à l'aide des vis M4\*L22 incluses dans la boîte d'accessoires, serrez les quatre emplacements respectifs des côtés gauche et droit sur la rainure indiquée sur l'illustration, après avoir vérifié que le produit est mis à niveau, et vérifié la différence de niveau entre le réfrigérateur et la porte du congélateur et l'alignement entre la partie avant de l'appareil contre l'armoire, etc. (Lorsque vous insérez le réfrigérateur dans le cabinet, soyez vigilants pour ne pas vous coincer la main.)



< Utilisez la vis M4\*L12 Visser pour fixer le support antibasculement. >

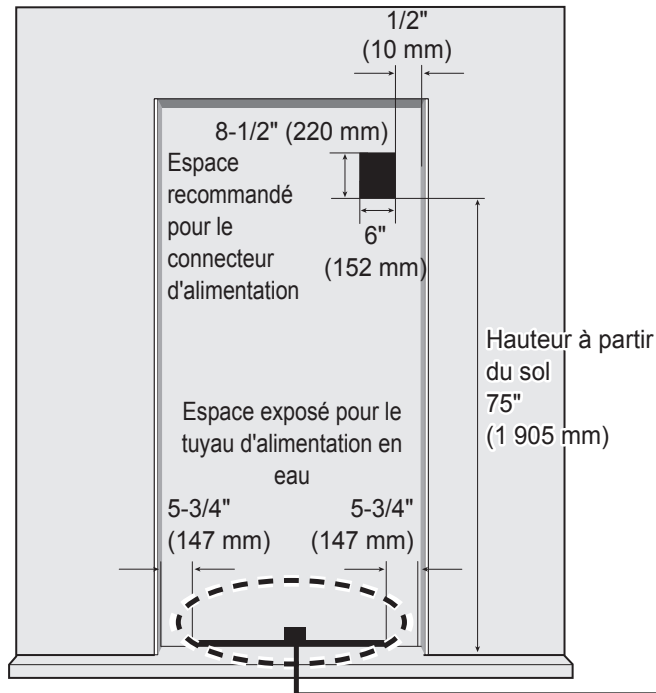


< Exemple d'installation >



< Exemple d'installation >

## 7. Connexion de l'alimentation et espace de sécurité pour le tuyau d'alimentation en eau



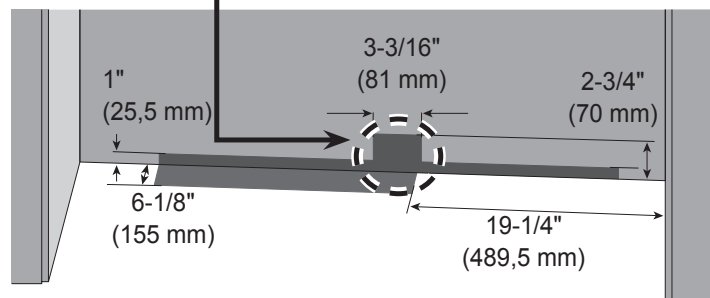
- Connexion de l'alimentation  
L'emplacement du connecteur d'alimentation de 115 V 60 Hz doit être situé sur le côté arrière de l'appareil comme indiqué sur l'illustration.

Lorsque vous installez l'appareil, assurez-vous que le cordon est suspendu au crochet sur le côté arrière et qu'il n'est pas appuyé contre le réfrigérateur. Un cordon d'alimentation endommagé peut causer un incendie.

- Espace d'installation pour le tuyau d'alimentation d'eau

Placez le tuyau d'eau pour la machine à glaçons et le distributeur d'eau tel qu'indiqué dans l'illustration et préparez le tuyau au sol.

(Un tuyau de cuivre avec un diamètre de 5/16 po (8 mm) est recommandé pour le tuyau d'eau.) Si la conduite d'eau et le tuyau sont éloignés de l'appareil, enterrez le tuyau d'eau dans le sol et appliquez le traitement approprié.



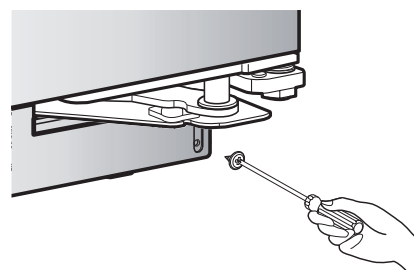
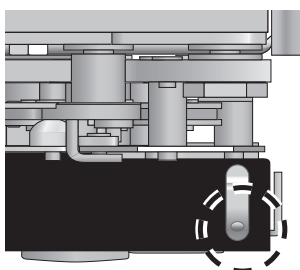
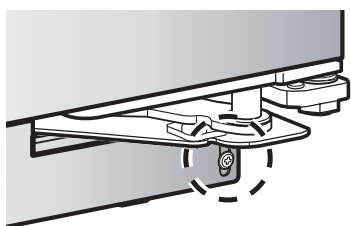
- ⚠ Assurez-vous que l'emplacement du tuyau d'alimentation en eau est à l'intérieur de la zone marquée.
- ⚠ Avant de connecter l'alimentation, assurez-vous toujours d'effectuer la mise à la terre de l'appareil. (Si l'appareil n'est pas mis à la terre, l'utilisateur pourrait ressentir l'électricité en raison du courant de fuite à la minute lorsque vous touchez la poignée de la porte du réfrigérateur ou un coin de côté même quand il n'y a pas de problème avec l'appareil.)
- ⚠ Ne mettez pas l'appareil à la terre sur une conduite de gaz, des tuyaux d'eau en plastique ou un fil de téléphone, etc. Cela peut causer un choc électrique ou une explosion.

## 8. Comment installer le tuyau d'alimentation en eau

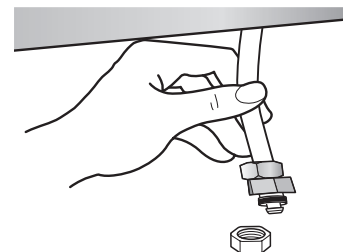


※ Vérifiez les détails de l'emplacement et de l'installation de la conduite d'eau de service à la page précédente avant de brancher le tuyau d'alimentation en eau.  
Avant d'insérer l'appareil complètement dans l'armoire, assurez-vous qu'il n'y a aucune fuite d'eau.

- 1) Démontez la grille inférieure.  
(Les côtés gauche et droit doivent être démontés et réinstallés de la même manière.)  
- Utilisez le tournevis (+) pour démonter la grille inférieure.

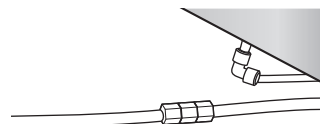
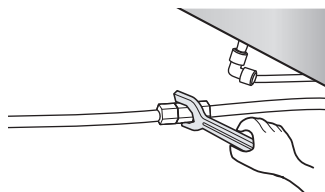


- 2) Tirez sur le tuyau d'alimentation en eau dans la partie inférieure de l'appareil et préparez-vous à démonter/ réinstaller la pièce de raccordement du tuyau de service en eau.



- 3) Après avoir branché la conduite d'eau et le tuyau d'alimentation en eau, serrez le tout avec une clé pour éviter les fuites. Après l'installation de l'appareil dans l'armoire, vérifiez de nouveau qu'il n'y a pas de fuite d'eau.

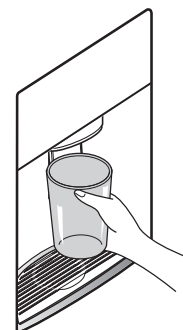
※ Préparez un seau sous le raccord du tuyau de service en eau avant de vérifier toute fuite d'eau pour éviter de ruiner le matériel de revêtement du plancher et le tapis, etc.



- 4) Réinstallez la grille inférieure dans l'ordre inverse de l'étape 1).

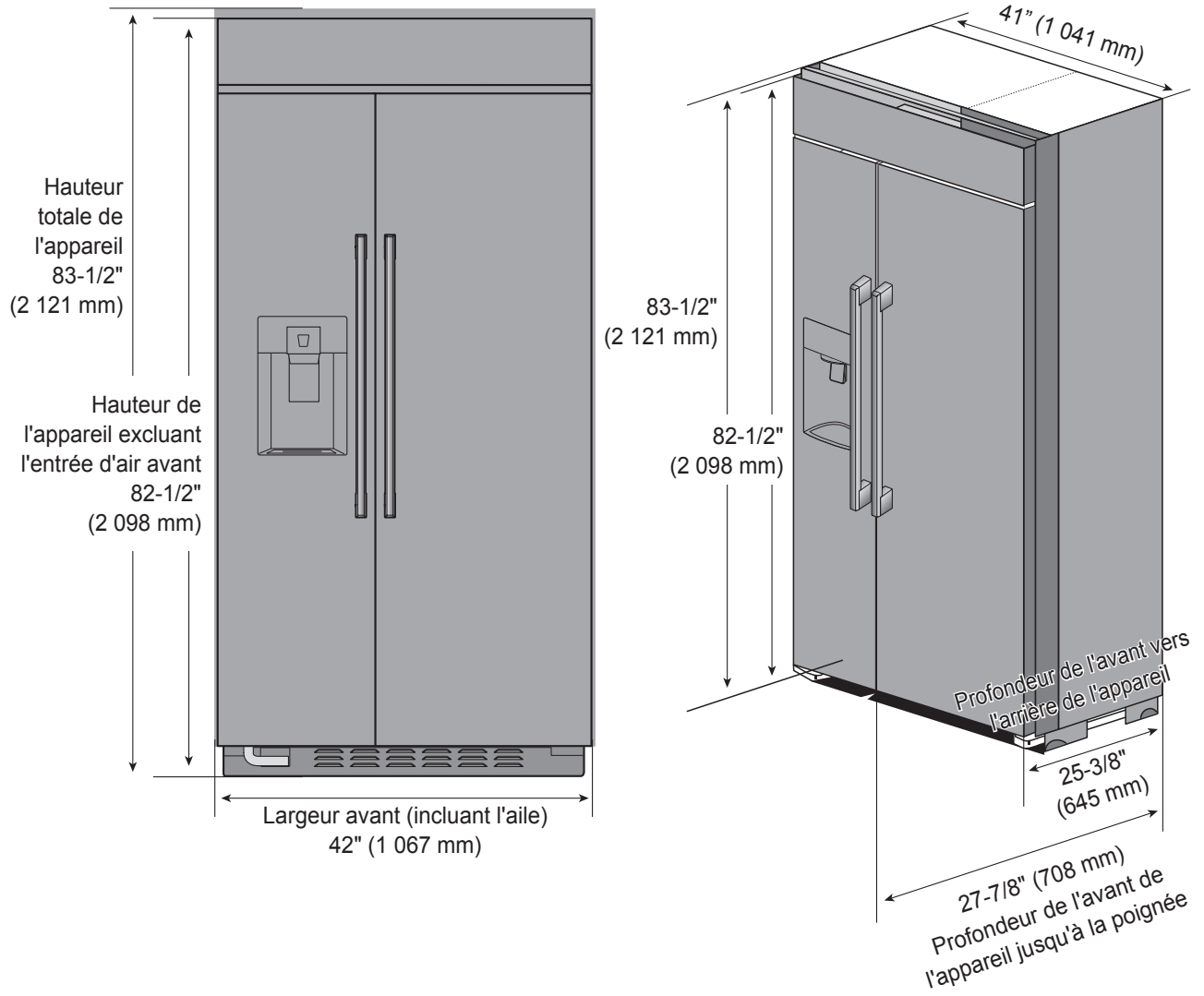
- 5) Rejetez l'air provenant du système en évacuant l'eau dans le distributeur de façon continue pour une quantité équivalente à 5 gallons.

**Remarque :** allouez un délai de 1 à 2 minutes lors de la répartition de l'eau pour permettre au réservoir interne de se remplir.



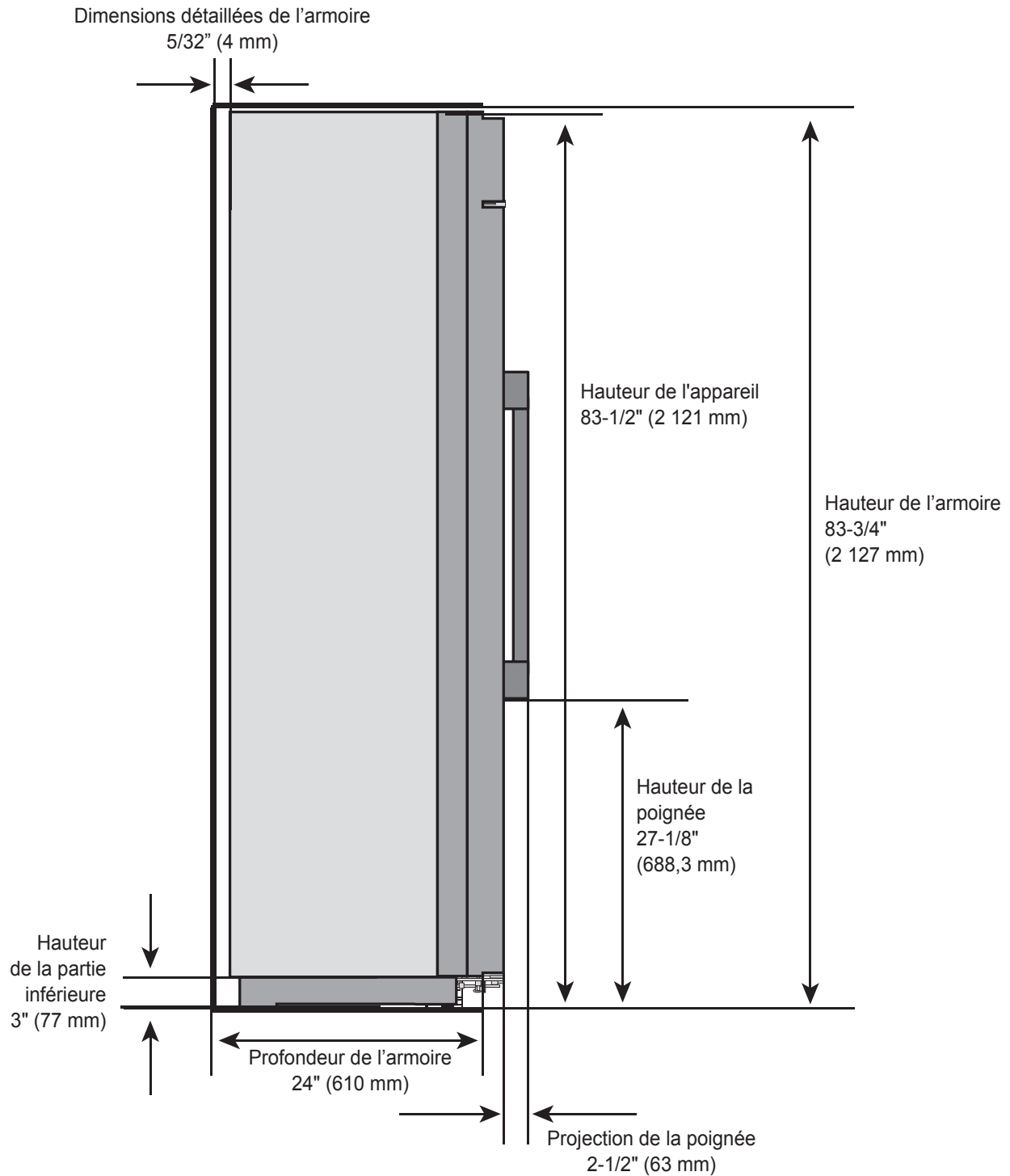
## 9. Dimensions détaillées de l'appareil

FRANÇAIS

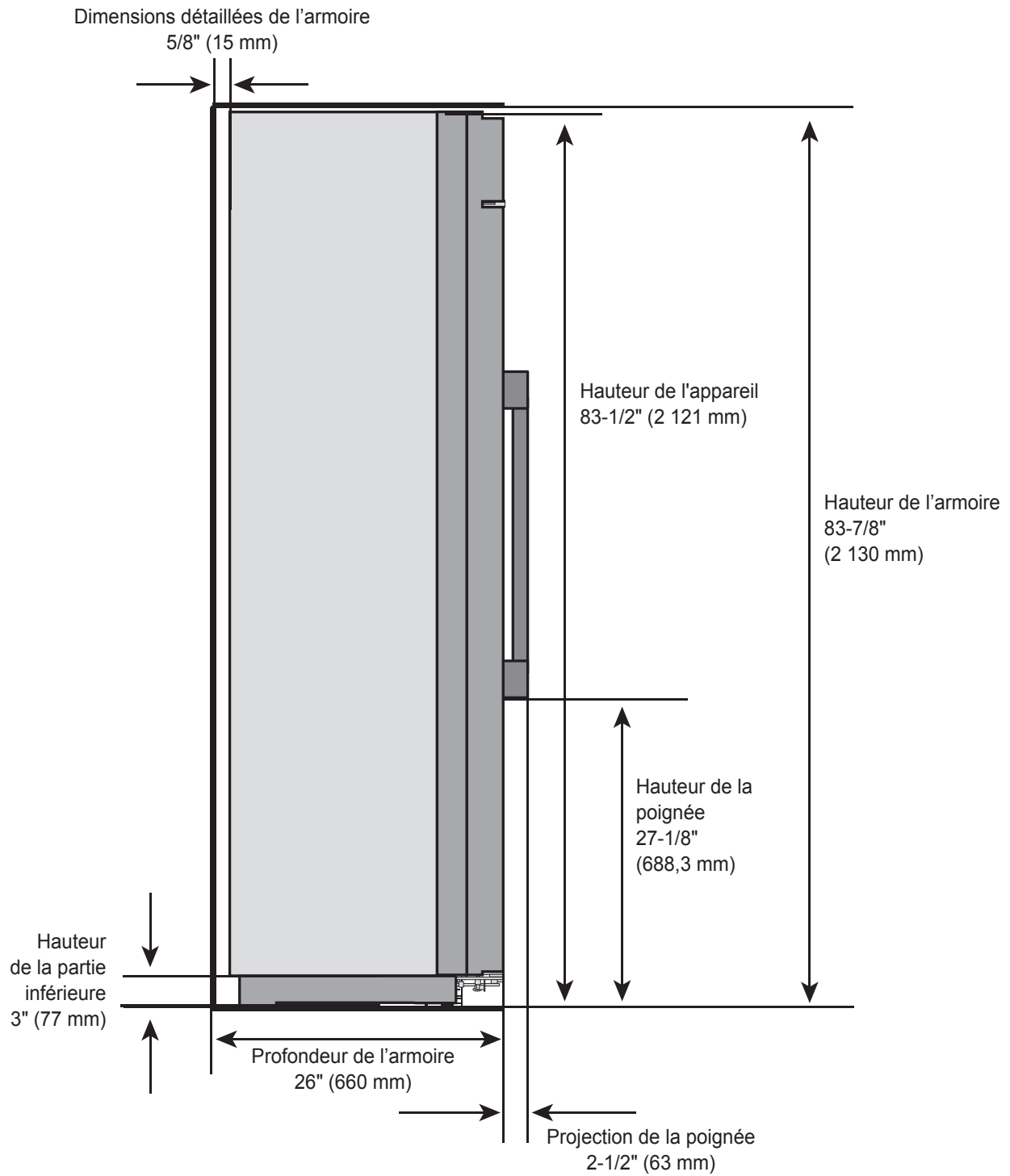


# 10. Dimensions détaillées de l'armoire

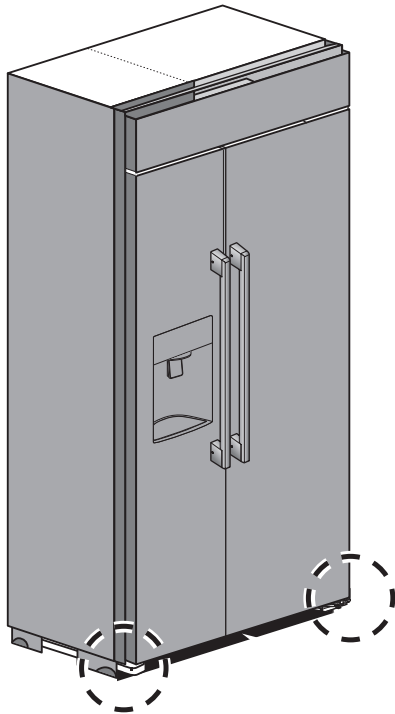
## 10-1. Installation standard



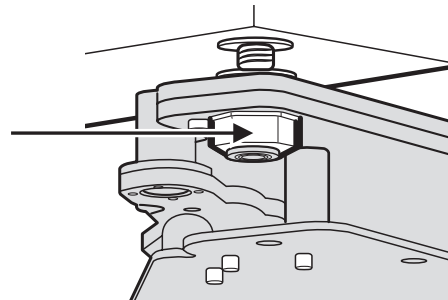
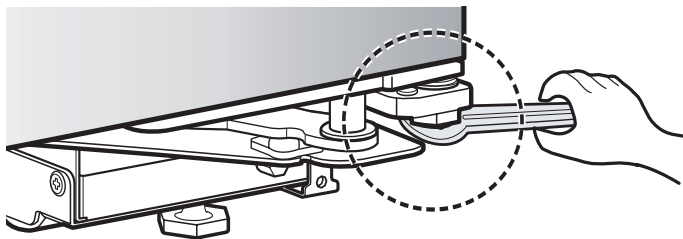
## 10-2. Installation encastrée



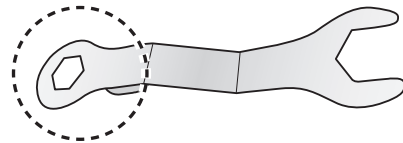
## 11. Ajustement de la hauteur de la porte du réfrigérateur et du congélateur



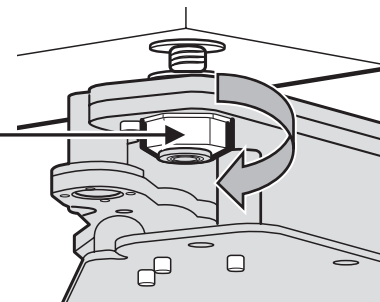
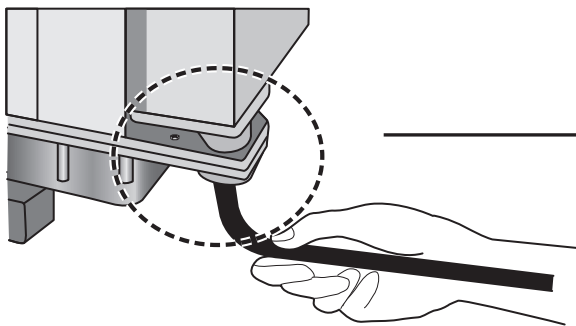
- 1) Si la hauteur du réfrigérateur et du congélateur est différente, tournez le boulon d'ajustement de la hauteur au bas de la porte pour ajuster la hauteur.
  - Les portes du réfrigérateur et du congélateur peuvent être ajustées de 1/8 po (3 mm) respectivement.
  - La clé M6 est utilisée pour régler la hauteur de la porte mais n'est pas incluse dans la boîte d'accessoires. (Pour un ajustement précis de la hauteur, il est recommandé de communiquer avec le centre de service.)
  - \* Si la hauteur de la porte est excessivement ajustée vers le côté gauche ou droit, le capteur de fermeture de la porte ne détectera pas bien si la porte est fermée.
- 2) Ordre d'ajustement (La méthode d'ajustement est la même pour le côté gauche ainsi que le côté droit.)
  - Desserrez l'écrou de serrage pour l'empêcher de se desserrer. (Utilisez une clé.)



\* Il serait mieux d'utiliser le petit trou à l'extrémité de la clé incluse dans la boîte d'accessoire.



- Utilisez une clé M6 pour ajuster la hauteur. (Tournez dans le sens horaire pour élever la porte du réfrigérateur.)

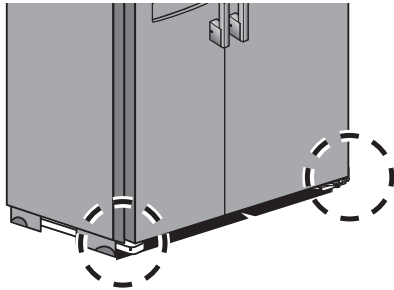




## 12. Ajustement de la hauteur du réfrigérateur

### AVERTISSEMENT

Pour réduire la possibilité que l'appareil bascule vers l'avant, les pieds de mise à niveau avant doivent être en contact avec le sol.

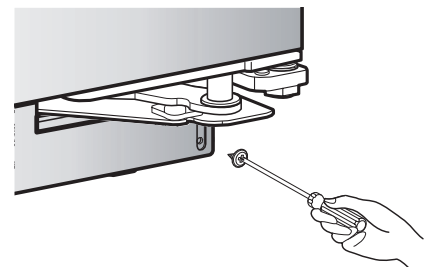
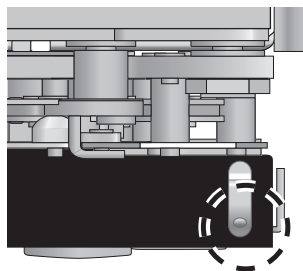
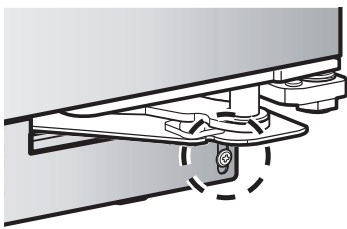


1) Utilisez le dispositif de réglage de la hauteur du côté avant/arrière de l'appareil pour le mettre à niveau et ajustez la hauteur des côtés gauche et droit.

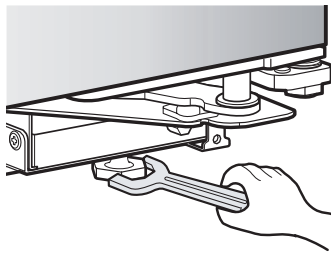
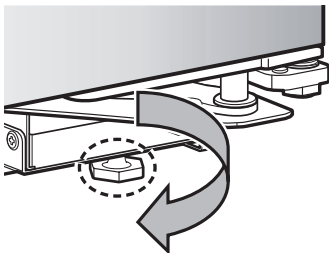
※ Pour un appareil encastré, ajustez la hauteur et le niveau de l'appareil pendant l'installation initiale. (Pour un ajustement précis de la hauteur, il est recommandé de communiquer avec le centre de service.)

2) Ordre d'ajustement (La méthode d'ajustement est la même pour le côté gauche et le côté droit.)

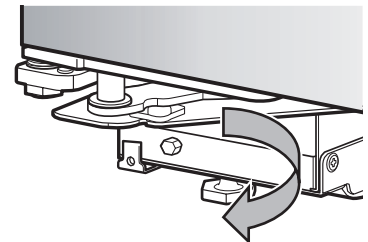
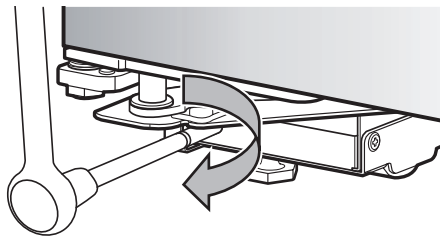
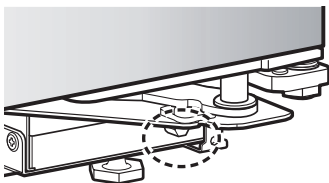
- Démontez la grille inférieure en utilisant le tournevis (+).



- Utilisez le dispositif de réglage avant pour ajuster la hauteur. (Tournez dans le sens horaire pour élever l'appareil.)



- Utilisez la pince M8 pour ajuster la hauteur au côté arrière. (Tournez dans le sens horaire pour élever l'appareil.)

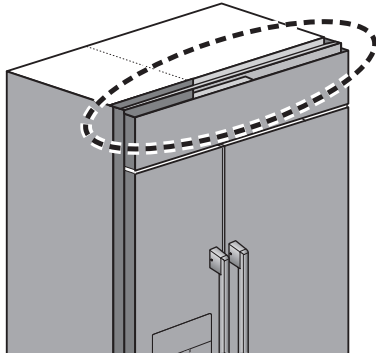


※ La pince M8 n'est pas incluse dans la boîte d'accessoires.

3) Assurez-vous que le poids du réfrigérateur repose sur les pieds, et non sur les roues.

4) Après l'ajustement de la hauteur, assurez-vous toujours de réinstaller la grille inférieure.

## 13. Comment démonter/réinstaller la grille supérieure



1) Pour ajuster la porte gauche/droite, la grille supérieure doit tout d'abord être démontée.

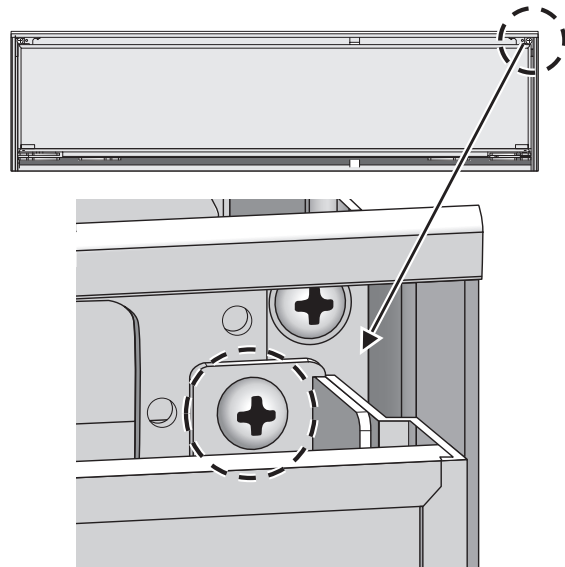
※ Soyez vigilant pendant cette opération car les coins peuvent être tranchants.

※ Après le démontage de la grille supérieure, placez-la dans un emplacement sécuritaire pour éviter toute rayure sur le panneau.

2) Ordre de démontage et réinstallation de la grille supérieure

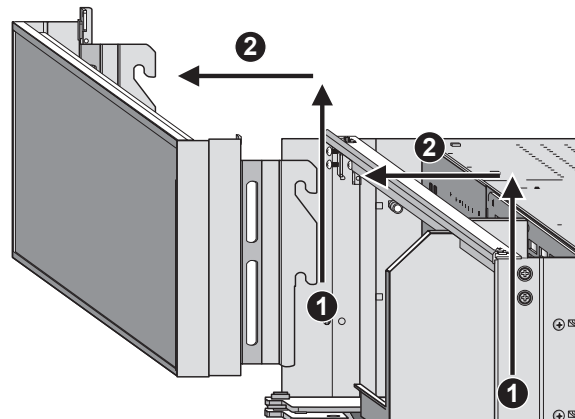
- Desserrez les vis indiquées et conservez-les dans un endroit sécurisé.

(Les côtés gauche et droit sont symétriques.)



- Soulevez la grille supérieure comme indiqué sur l'illustration pour la tirer vers l'avant.

※ Pour la sécurité du client, il y a un crochet du côté gauche et droit de la grille supérieure. Si la pièce est retirée en appliquant une force excessive, cela peut causer des blessures.



- La réinstallation peut être faite dans l'ordre inverse.

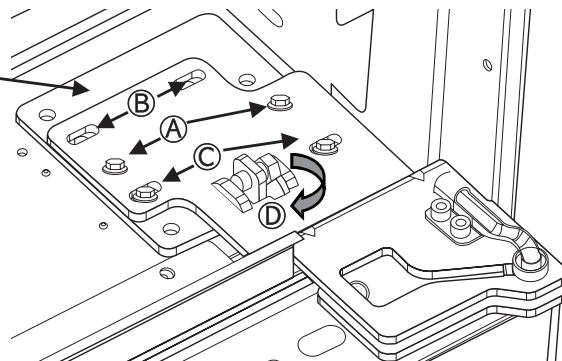
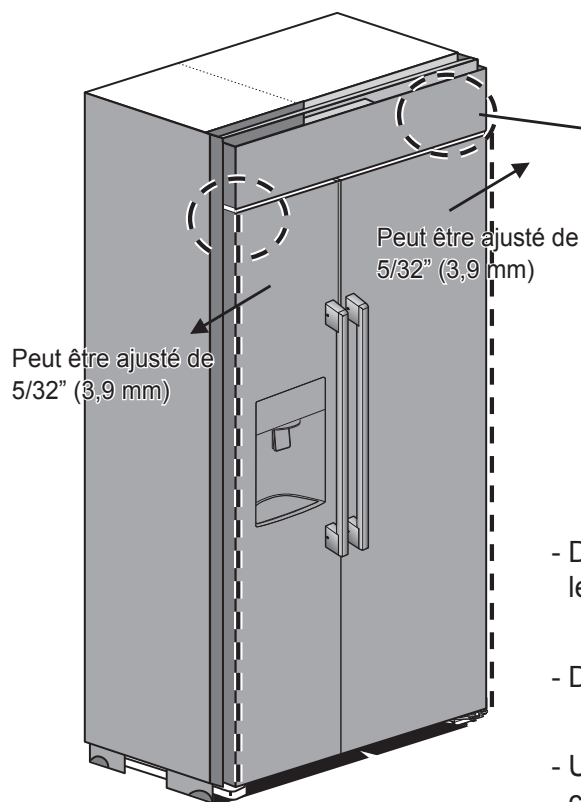
## 14. Dispositif de réglage de la porte gauche/ droite du réfrigérateur et du congélateur

1) L'écart entre le réfrigérateur et le congélateur est de 5/16 po (8 mm) selon les paramètres par défaut. Si l'écart entre la porte du réfrigérateur et la porte du congélateur change pendant l'installation de l'appareil, utilisez le dispositif de réglage de porte gauche/droite pour maintenir l'écart.

- La porte du réfrigérateur et du congélateur peuvent être ajustées de 5/32 po (3,9 mm) respectivement.
- La clé M10 utilisée pour l'ajustement de la porte gauche/droite n'est pas incluse dans la boîte d'accessoires. (Pour un ajustement précis des portes gauche/droite, il est recommandé de communiquer avec le centre de service.)

2) Ordre d'ajustement

- ▶ Dispositif de réglage de la porte gauche/droite du réfrigérateur



Dispositif de réglage de la porte gauche/droite du réfrigérateur

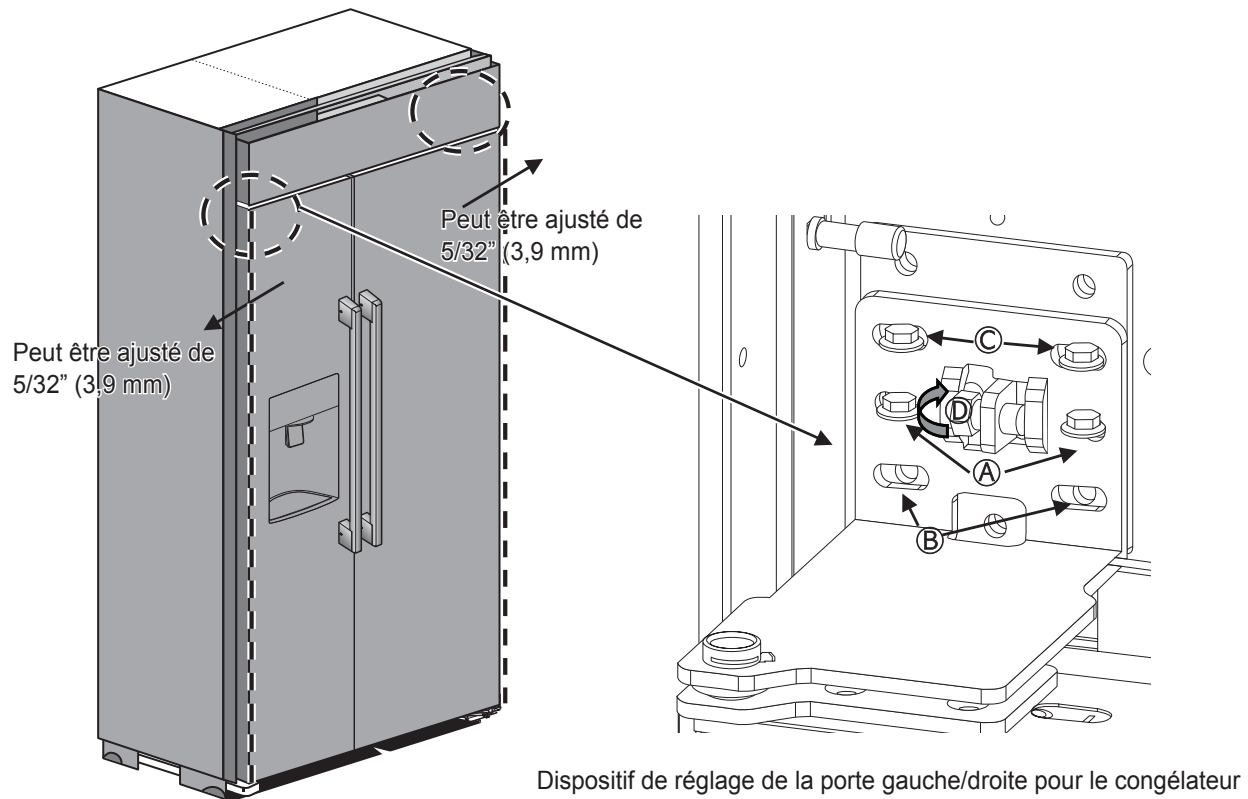
- Dévissez les deux vis de la pièce A et insérez-les dans les trous de la pièce B à environ 3/8" (10 mm).
- Desserrez le boulon de la pièce C de 3/8 po (10 mm).
- Utilisez la pince M10 pour ajuster le réfrigérateur du côté gauche/droit pour la pièce D.

- \* Lorsque la pièce D a effectué deux pivots, la porte du réfrigérateur doit bouger de 1/32" (1 mm).
- \* Lorsque la pièce D est tournée dans le sens antihoraire, l'appareil se déplace vers le côté extérieur.

## 14. Dispositif de réglage de la porte gauche/droite du réfrigérateur et du congélateur

### 2) Ordre d'ajustement

- ▶ Dispositif de réglage de la porte gauche/droite pour le congélateur



- Dévissez les deux vis de la pièce A et insérez-les dans les trous de la pièce B à environ 3/8" (10 mm).
- Desserrez le boulon de la pièce C de 3/8 po (10 mm).
- Utilisez la clé M10 pour ajuster le congélateur du côté gauche/droit pour la pièce D.
- ※ Lorsque la pièce D a effectué deux pivots, la porte du congélateur doit bouger de 1/32" (1 mm).
- ※ Lorsque la pièce D est tournée dans le sens antihoraire, l'appareil se déplace vers le côté extérieur



ESPAÑOL

# Guía de instalación BUILT-IN SXS REFRIGERADOR

SKSSB4202S

[www.signaturekitchensuite.com](http://www.signaturekitchensuite.com)

P/No. : MFL67410837\_Rev.03

Copyright © 2022 - 2024 Signature Kitchen Suite. Todos los Derechos Reservados.

# Contenidos

1. Precauciones antes de la instalación.....	3
2. Producto y dimensiones de corte.....	4
3. Precaución para mover el producto.....	5
4. Esquema de armario y apertura máxima de la puerta.....	6
5. Apertura de la puerta del refrigerador/congelador y fijación a 90 grados .....	7
6. Instalación de la pieza para evitar que el producto vuelque .....	7
7. Conexión eléctrica y separación segura para la tubería de suministro de agua.....	9
8. Instalación de la tubería de suministro de agua .....	10
9. Dimensiones detalladas del producto .....	11
10. Dimensiones detalladas del armario.....	12
11. Ajuste de la altura de la puerta del refrigerador y del congelador .....	14
12. Ajuste de la altura del producto.....	15
13. Desmontaje/montaje de la rejilla superior .....	16
14. Ajustador de puerta izquierda/derecha para refrigerador y congelador .....	17

# 1. Precauciones antes de la instalación

## **ADVERTENCIA**

### PELIGRO DE VUELCO

Utilice dos o más personas para mover e instalar el frigorífico. Para evitar que vuelque el refrigerador, instale los soportes antivuelco (incluidos). El incumplimiento de las instrucciones de instalación del refrigerador puede causar lesiones graves o mortales.



## **Precaución**

- Instale el producto alejado de radiadores, calderas o la luz solar directa. Instale el producto con una buena circulación de aire que permita su ventilación.
- Consulte las dimensiones del armario y prepare el armario con una buena circulación de aire. Instale el producto de modo que el aire circule suavemente a través de la entrada de aire frontal. Si la estructura de circulación de aire no está asegurada, podría interferir con el funcionamiento normal del producto.
- Debido a que los daños en el cable de alimentación eléctrica causados por animales externos (roedores) pueden causar un incendio, instale el producto donde no puedan acceder los animales citados.
- Si el armario está fabricado con un material blando (por ejemplo: yeso, etc.), podría tener poca resistencia al montaje o, incluso, romperse. Por lo tanto, utilice un armario fabricado con un material resistente.
- Utilice el armario que no pueda deformarse por el calor emitido por el producto o la humedad de la apertura y cierre de las puertas.
- Instale el producto donde esté nivelado horizontal y verticalmente. (Con una separación horizontal y vertical de 1 mm). De lo contrario, podría ser difícil instalar el producto. (El armario debe fabricarse o tener una estructura que no se deforme cuando se aplique una carga de 220,5 lb (100 kg)).
- Instale el refrigerador integrado con un equipo de 2 personas.
- Cuando instale el producto, evite que los niños manipulen las piezas y accedan a la ubicación de instalación.
- Durante la instalación, saque los tornillos de la bolsa plástica uno a uno para evitar lesiones causadas por las piezas expuestas.
- No utilice bases de enchufes porque pueden causar un incendio.
- Antes de instalar el producto, conéctelo para asegurarse de que funciona normalmente.

## 2. Producto y dimensiones de corte

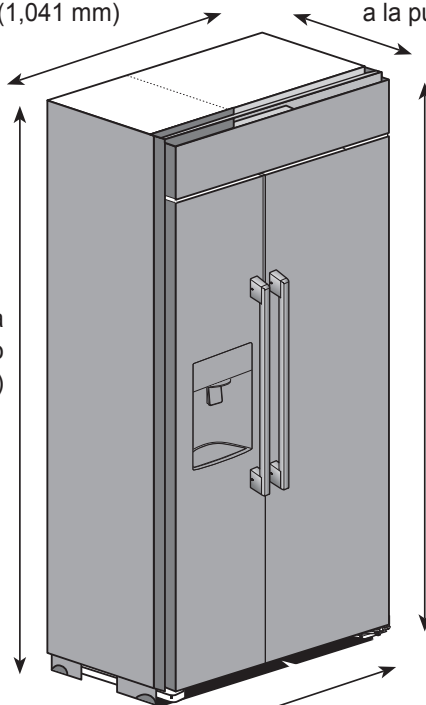
- Dimensiones del producto (In) : 42"(1,067 mm) x 83-1/2"(2,121 mm) x 25-3/8"(645 mm) (A x A x P)

Anchura de la parte trasera del producto  
41"(1,041 mm)

Profundidad desde la parte trasera del producto  
a la puerta 25-3/8"(645 mm)

Altura de la parte trasera  
del producto  
81-31/32"(2,082 mm)

Altura desde el suelo a la parte más  
superior del frente del producto  
83-1/2"(2,121 mm)



Anchura del frente del producto (incluida el ala  
izquierda y derecha) 42"(1,067 mm)

- Dimensiones de corte para la instalación del producto (In)

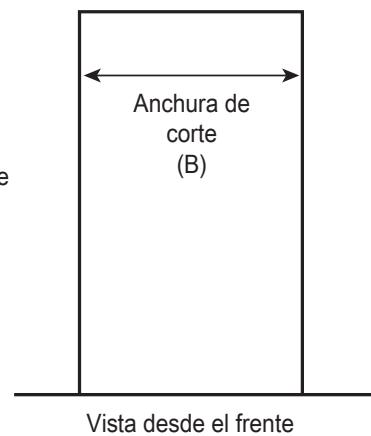
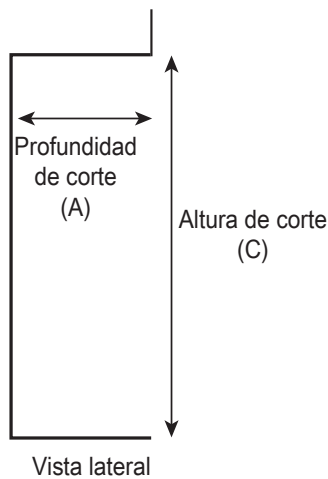
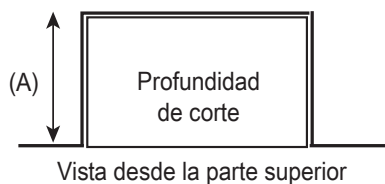
**Instalación estándar** : 41-1/2"(1,054 mm) X 83-3/4"(2,127 mm) X 24"(610 mm) (A x A x P)

**Instalación al ras** : 42-1/4"(1,073 mm) X 83-7/8"(2,130 mm) X 26" (660 mm) (W X H x D)

Compruebe las dimensiones del corte para instalar el producto contra las dimensiones del manual de instalación. Las dimensiones son las que se recomiendan para instalar el producto.

(Si las dimensiones del armario son más pequeñas que las recomendadas, no podrá instalarse el producto.)

	Instalación estándar	Instalación al ras
A	24" (610 mm)	26" (660 mm)
B	41-1/2" (1,054 mm)	42-1/4" (1,073 mm)
C	83-3/4" (2,127mm)	83-7/8" (2,130mm)





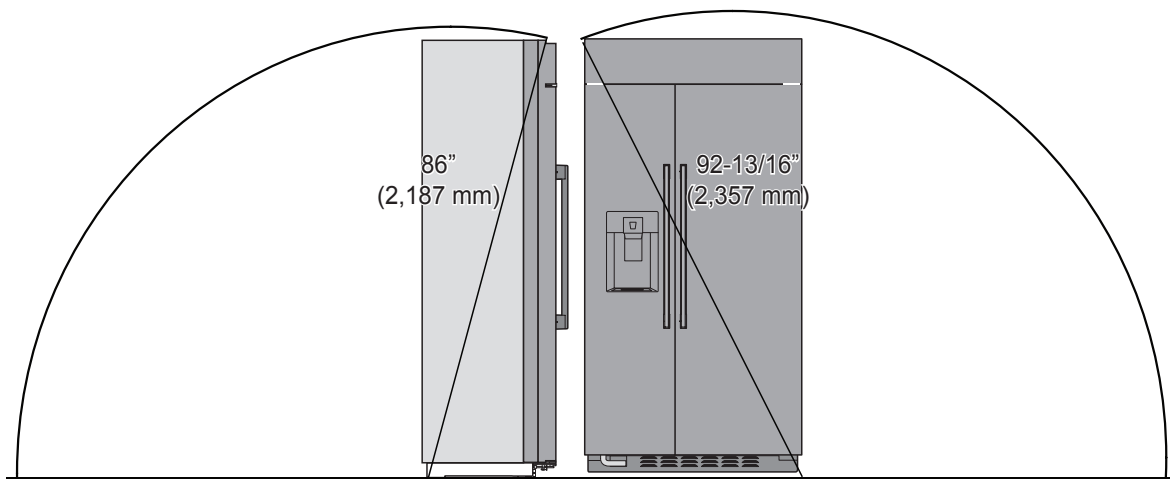
### 3. Precaución para mover el producto

- Antes de mover el refrigerador, compruebe la línea de movimiento hacia la ubicación de instalación. (Consulte las dimensiones del producto y el radio de giro.)

1) Solicite la instalación a un técnico especializado.

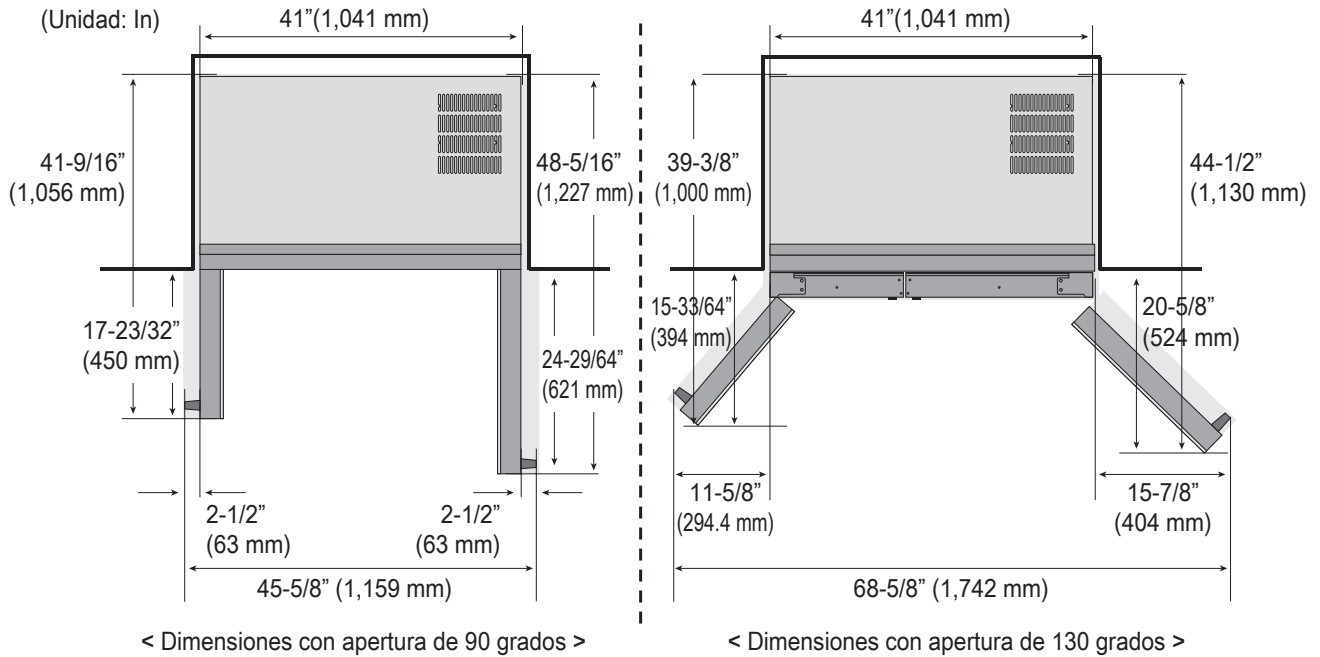
**⚠** Podría causar descargas eléctricas, un incendio, fallos de funcionamiento o una explosión.

2) Debido a las características del producto integrado, la parte superior es pesada y puede caer fácilmente cuando se instala. Por lo tanto, tenga cuidado al mover el producto. Asimismo, porque el producto puede ser peligroso si se deja sobre una superficie inclinada, mantenga siempre el producto correctamente fijado o sujeto.

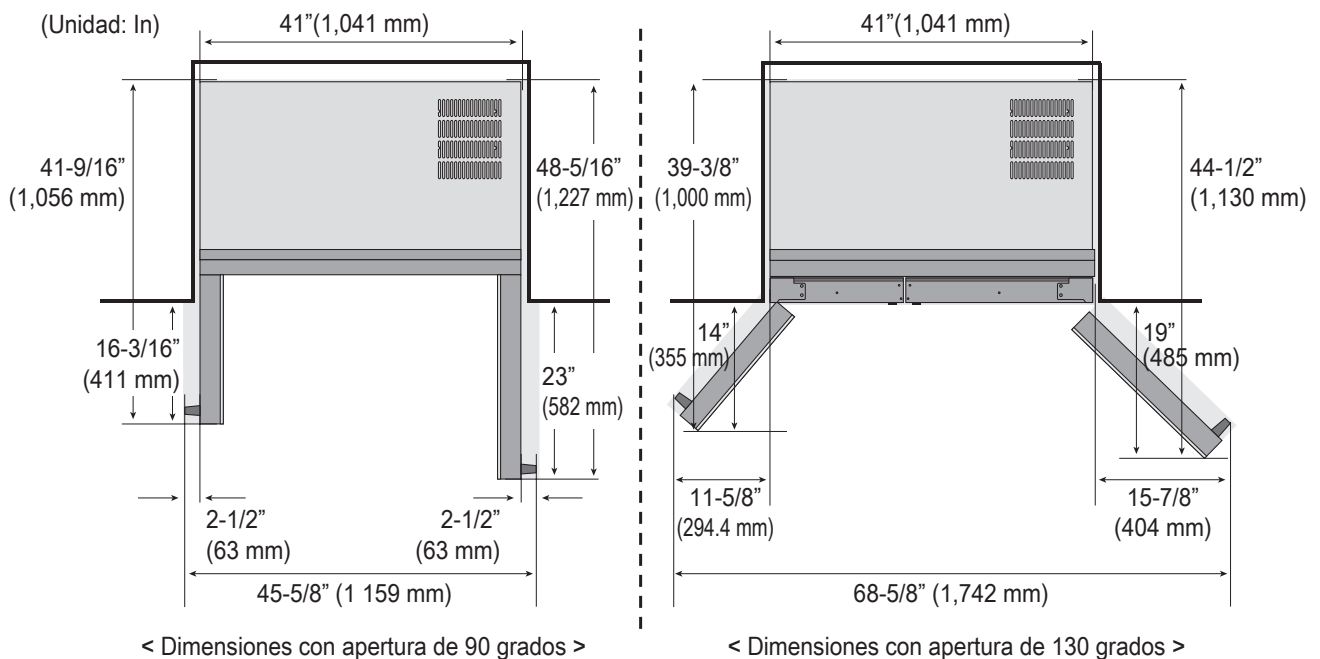


## 4. Esquema de armario y apertura máxima de la puerta

### 4-1. Instalación estándar

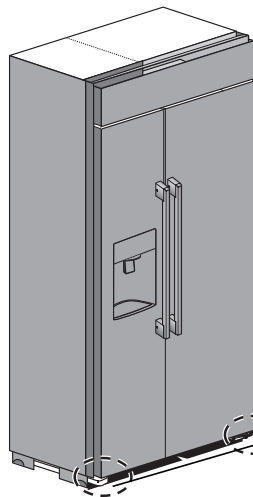


### 4-2. Instalación al ras



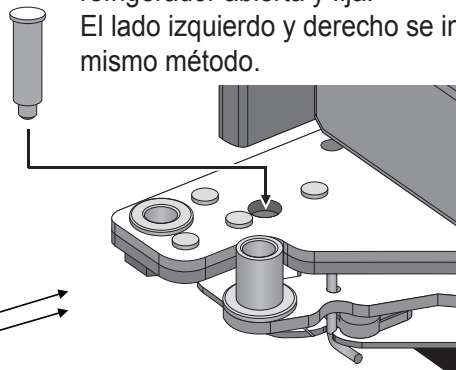
Cuando se instala el producto sobre una pared cerca de la esquina, compruebe la dimensión marcada para mantener la distancia mínima y evitar que el tirador golpee la pared.

## 5. Apertura de la puerta del refrigerador/ congelador y fijación a 90 grados



Empuje e instale el dispositivo (incluido en la caja de accesorios) en el orificio marcado en la imagen para mantener la puerta del refrigerador abierta y fija.

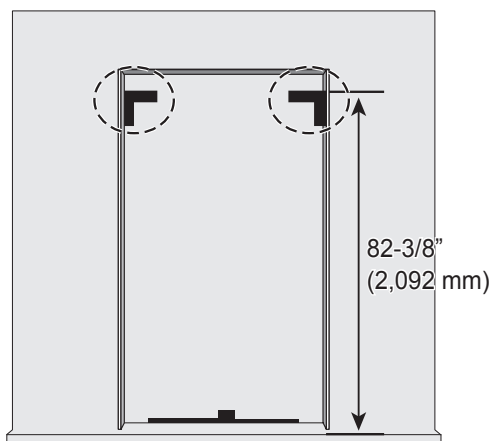
El lado izquierdo y derecho se instalan con el mismo método.



\* Si no se puede insertar el dispositivo para mantener la puerta abierta o fija, mueva la puerta del refrigerador lentamente a izquierda y derecha para insertarlo.

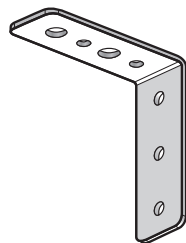
ESPAÑOL

## 6. Instalación de la pieza para evitar que el producto vuelque

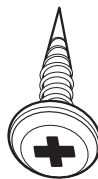


\* Debido a que la parte superior del producto es pesada, el armario debe fijarse correctamente para que el producto no se mueva al utilizarlo.

- Fije el lado del armario a la pared de la casa o un lateral del mobiliario.
- Utilice la pieza incluida en la caja de accesorios como se muestra en la imagen para fijar el armario a ambos lados de las paredes.
- Si la parte que evita el vuelco del refrigerador no se instala correctamente, el producto podría volcar y causarle lesiones graves o mortales.



Pieza para evitar el vuelco del aparato x 2



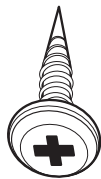
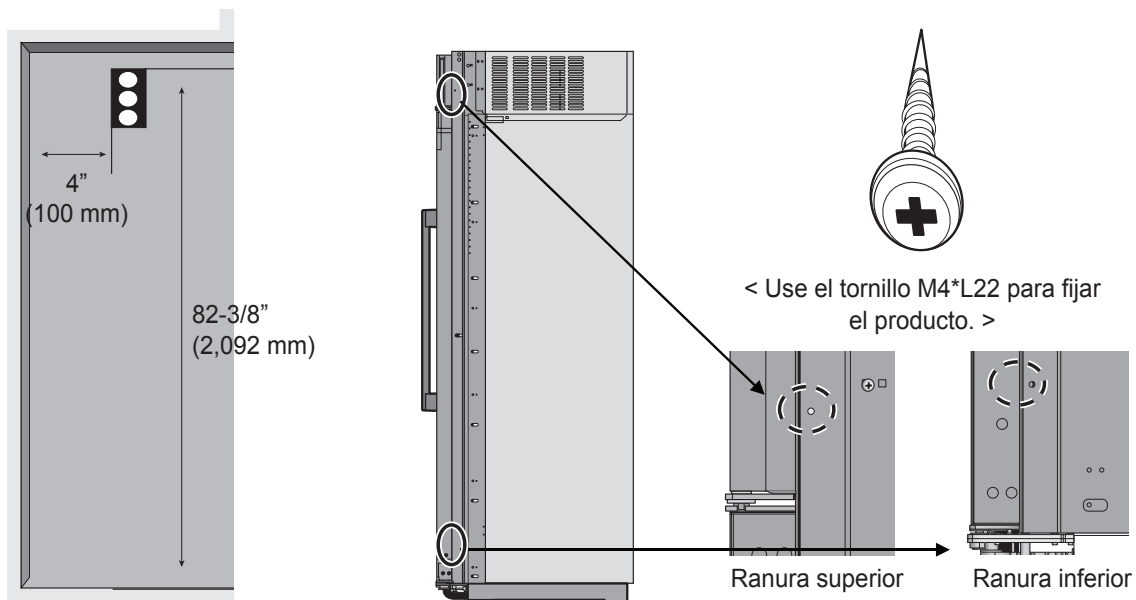
Tornillo M4\*L12 x 6



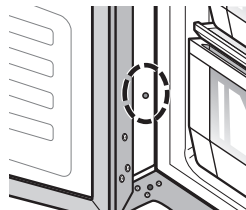
Tornillo M4\*L22 x 8  
Es posible que se incluyan tornillos adicionales

## 6. Instalación de la pieza para evitar que el producto vuelque

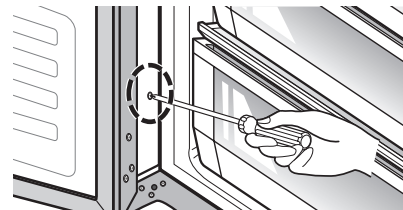
- 1) Compruebe si todas las piezas descritas se incluyen en la caja de accesorios.
- 2) Según las dimensiones recomendadas en la figura, coloque la pieza para evitar que vuelque el producto. (El mismo procedimiento para el lado izquierdo y derecho)
- 3) Utilice el tornillo M4\*L12 incluido en la caja de accesorios para apretar 3 localizaciones respectivamente a lado izquierdo y derecho.  
(Apriete los tornillos completamente para que la pieza no se suelte del armario.)
- 4) Coloque el producto en el armario y utilice el tornillo M4\*L22 incluido en la caja de accesorios para apretar 4 localizaciones respectivamente en el lado izquierdo y derecho en la ranura marcada en la imagen tras comprobar si el producto se ha nivelado y comprobando la diferencia de nivel entre el refrigerador y la puerta del congelador y la alineación entre el frente del producto contra el armario etc. (Al insertar el refrigerador en el armario, tenga cuidado de que no se enganchen las manos.)



< Use el tornillo M4\*L12 para fijar el soporte antiresbalamiento. >

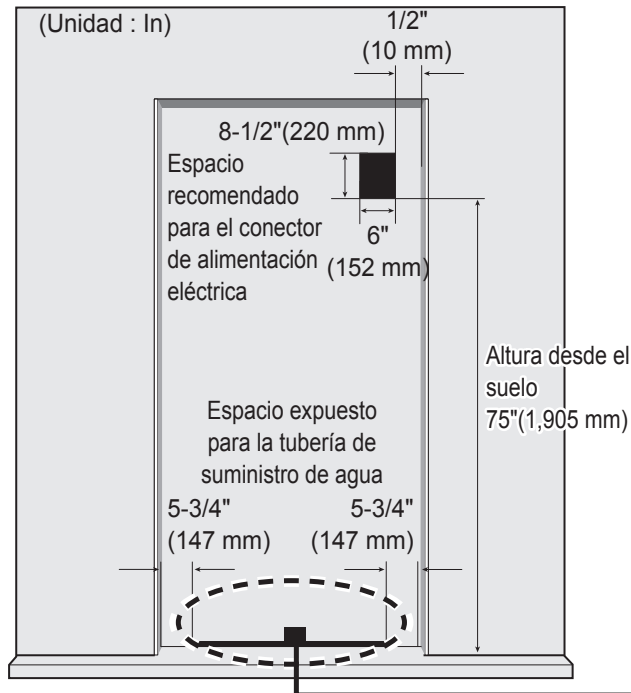


< Ejemplo de instalación >



< Ejemplo de instalación >

## 7. Conexión eléctrica y separación segura para la tubería de suministro de agua

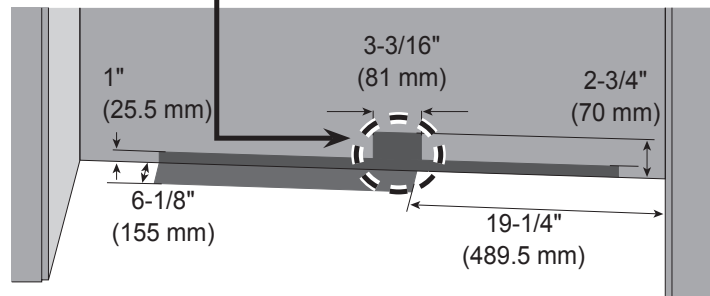


- Conexión a la alimentación  
La ubicación del conector de alimentación de 115V 60 Hz debe situarse en el lado trasero del producto, como se muestra en la imagen.

Cuando instale el producto, asegúrese de comprobar si el cable cuelga del gancho del lado trasero, de modo que no se presione sobre el refrigerador. El cable de alimentación eléctrica dañado puede causar un incendio.

- Espacio de instalación para la tubería de suministro de agua

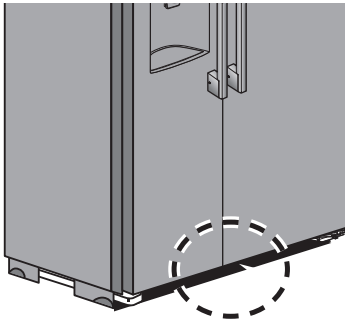
Coloque la manguera de agua para la máquina de hielo y el dispensador de agua como se muestra en la imagen, y prepare la manguera para que suba desde el suelo. (Se recomienda un tubo de cobre con un diámetro de 5/16" (8 mm) para la manguera de agua.)



Si la tubería del agua y la manguera del agua se colocan alejadas del producto, entierre la manguera de agua en el suelo y utilice el tratamiento adecuado.

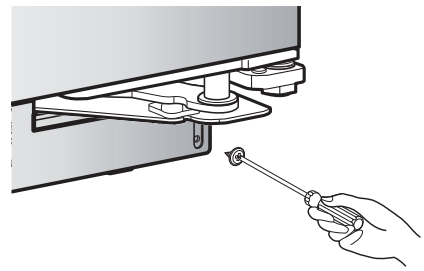
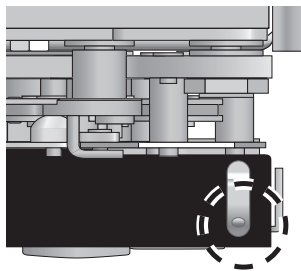
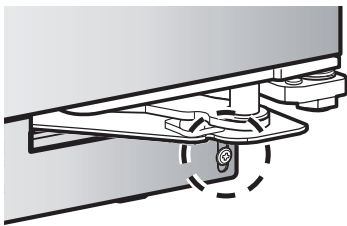
- ⚠ Asegúrese de que la localización de la tubería de suministro de agua esté dentro de los espacios marcados.
- ⚠ Antes de realizar la conexión, asegúrese de conectar a tierra el producto. (Si el producto no se conecta a tierra, el usuario podría sentir la electricidad debido a la corriente de fuga cuando se toca el tirador de la puerta del refrigerador o la esquina lateral incluso cuando no hay problemas con el producto.)
- ⚠ No haga la conexión a tierra en un tubo de gas, una tubería plástica de agua o un cable telefónico, etc. Podría causar descargas eléctricas o una explosión.

## 8. Instalación de la tubería de suministro de agua

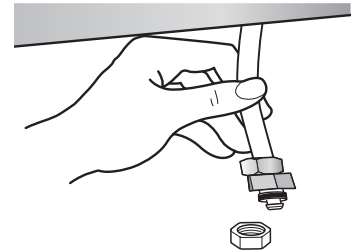


※ Compruebe los detalles de localización e instalación de la tubería de servicio de agua en la página anterior antes de conectar la tubería de suministro de agua. Antes de introducir el producto completamente en el armario, compruebe si hay fugas de agua.

- 1) Desmonte la rejilla inferior.  
(El lado izquierdo y derecho se desinstalan e instalan con el mismo método.)  
- Utilice el destornillador (+) para desmontar la rejilla inferior.

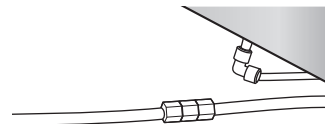
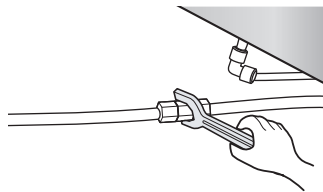


- 2) Tire de la tubería de suministro de agua desde la base del producto y prepare el montaje/desmontaje de la parte de conexión de la tubería de servicio de agua.



- 3) Tras conectar la tubería de suministro de agua y la tubería de servicio de agua, apriételas con una llave para evitar fugas. Tras instalar el producto dentro del armario, vuelva a comprobar las posibles fugas de agua.

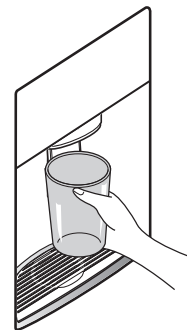
※ Prepare un cubo bajo el conector de la tubería de servicio de agua antes de comprobar si hay fugas para evitar arruinar el suelo, moqueta, etc.



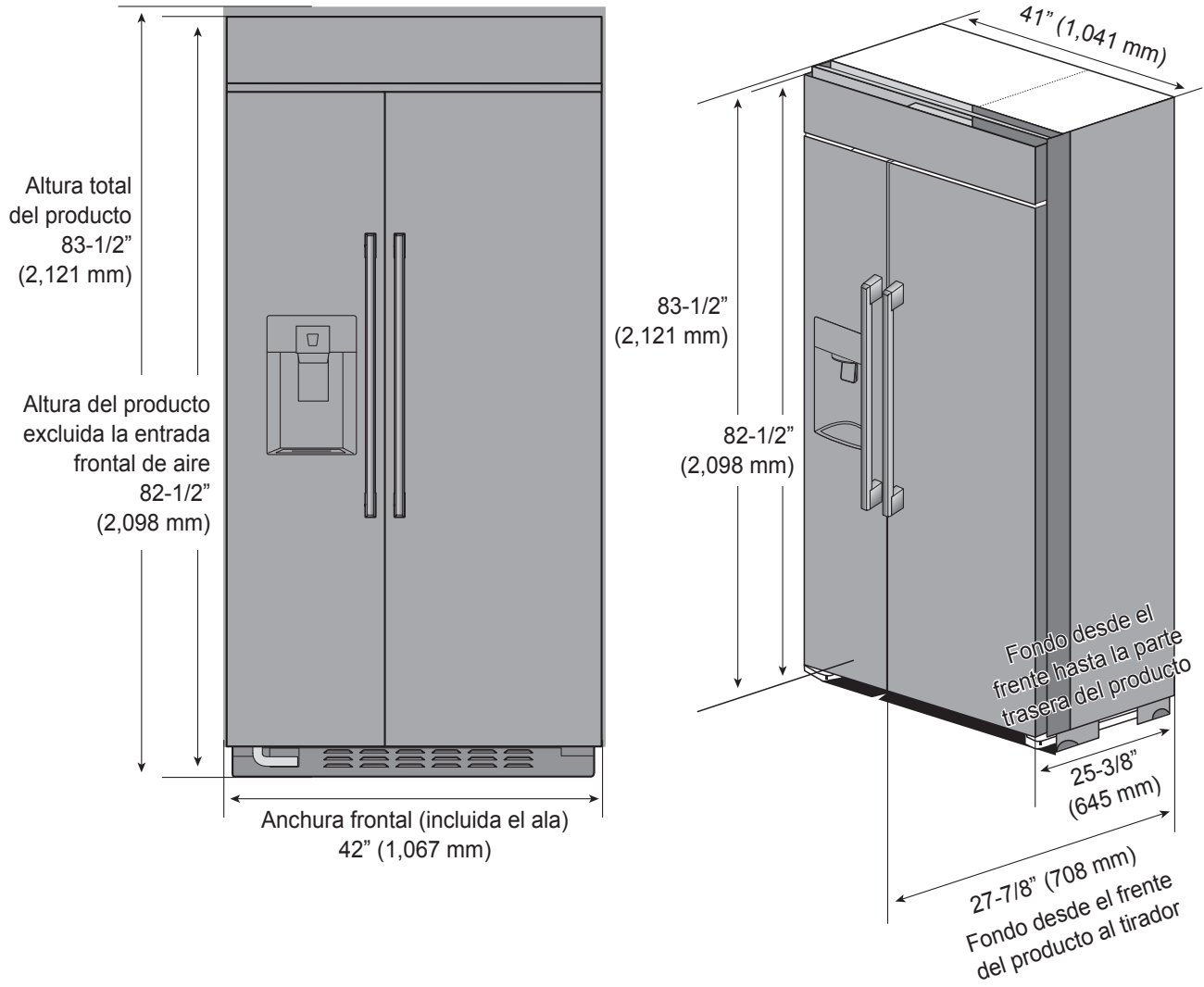
- 4) Vuelva a montar la rejilla inferior en el orden inverso de 1).

- 5) Extraiga el aire del sistema con 5 galones de agua a través del dispensador continuamente.

**Nota:** Permita un retardo de 1~2 minutos en la dispensación del agua para permitir el llenado del depósito de agua interno.

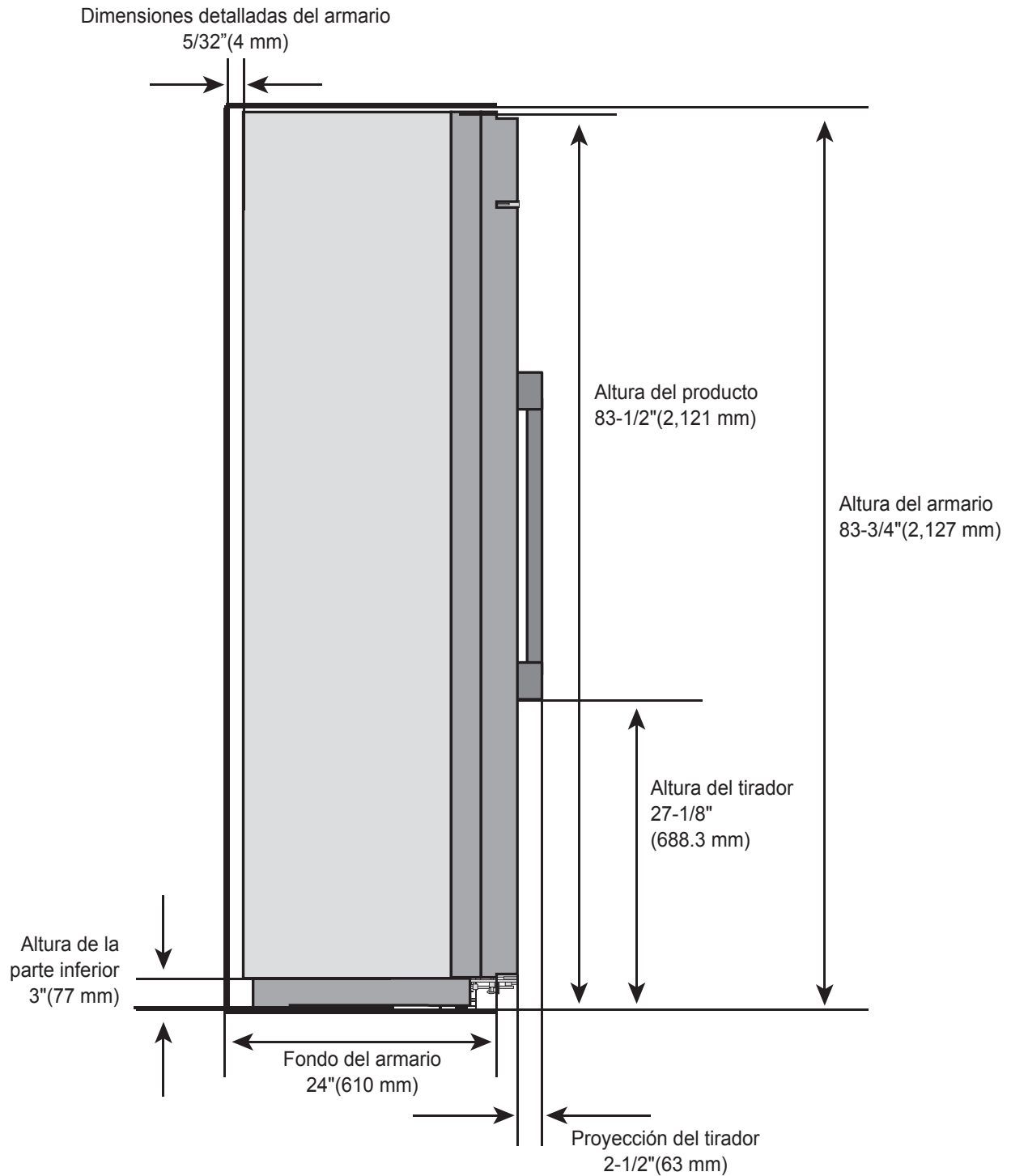


## 9. Dimensiones detalladas del producto



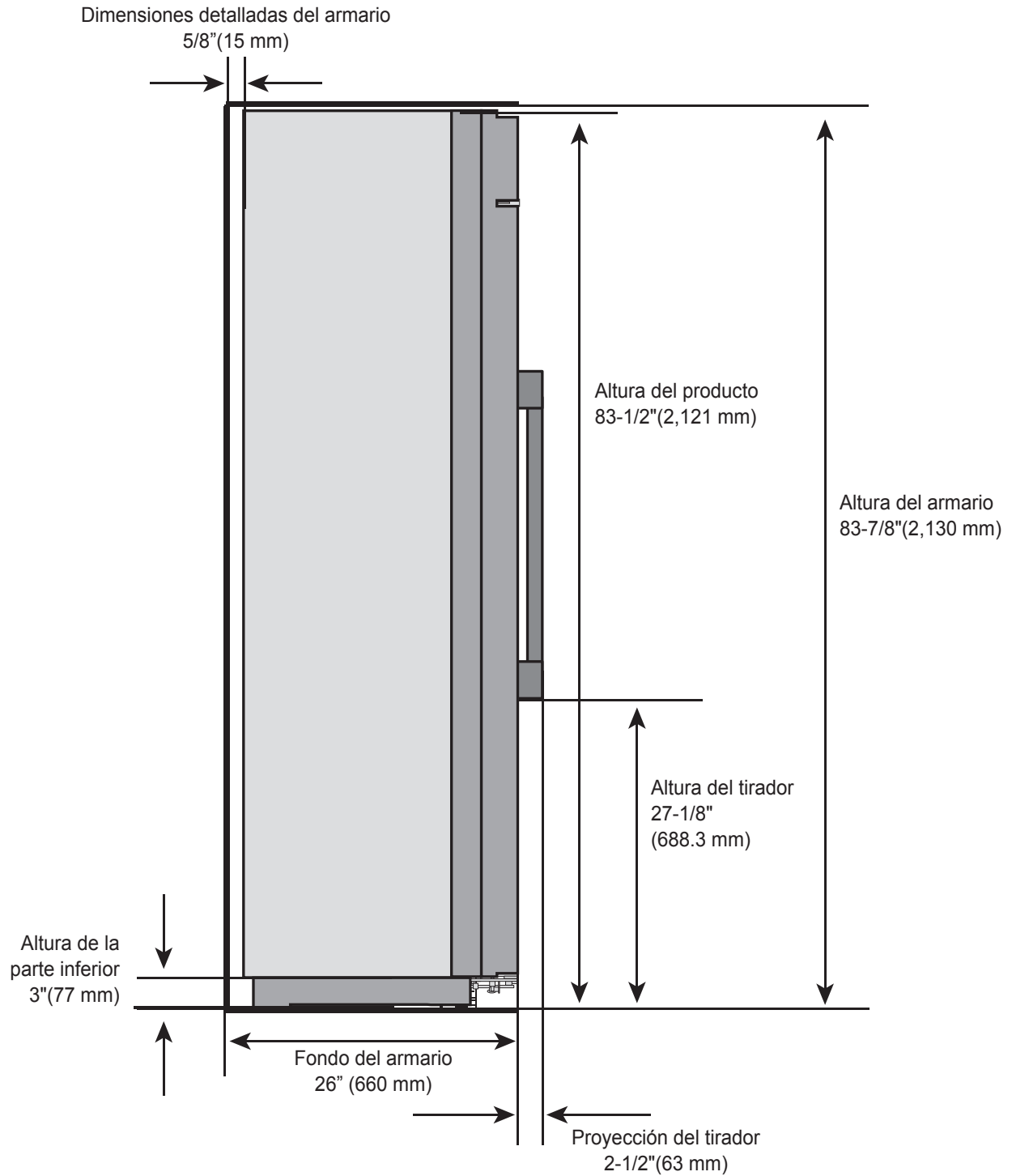
## 10. Dimensiones detalladas del armario

### 10-1. Instalación estándar

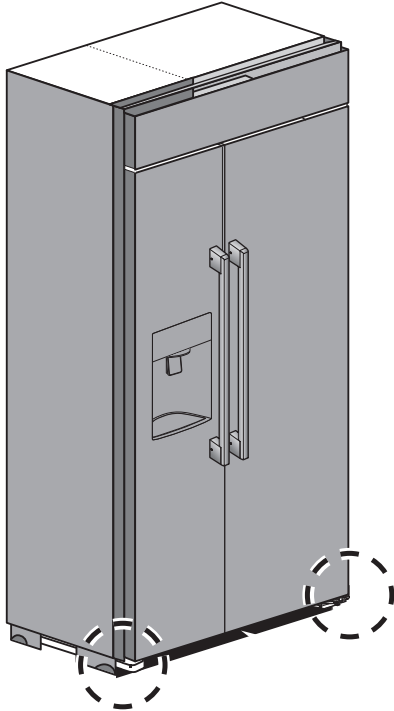




## 10-2. Instalación al ras



## 11. Ajuste de la altura de la puerta del refrigerador y del congelador



1) Si la altura del refrigerador y el congelador es diferente, gire el tornillo de ajuste de altura de la puerta para ajustar la altura.

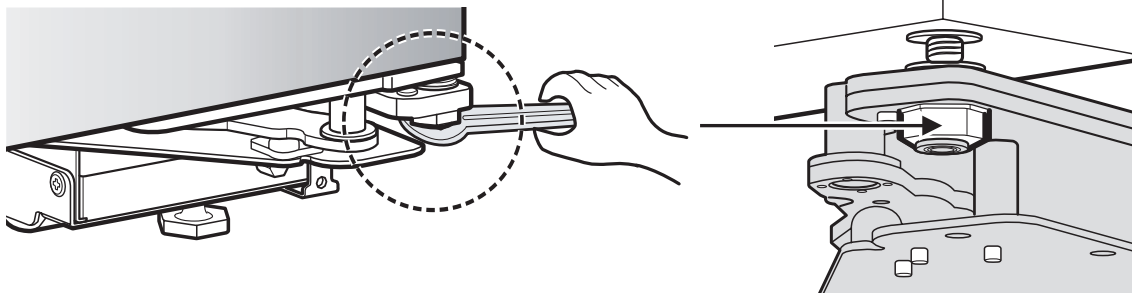
- La puerta del refrigerador y el congelador pueden ajustarse 1/8" (3 mm) respectivamente.

- La llave M6 para ajustar la altura de la puerta no se incluye en la caja de accesorios. (Para un ajuste preciso de la altura, se recomienda ponerse en contacto con un servicio técnico.)

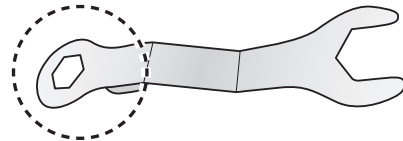
\* Si la altura de la puerta se ajusta excesivamente a izquierda/derecha, el sensor de puerta cerrada podría no hacer el reconocimiento correcto y la puerta podría no cerrarse.

2) Orden de ajuste (El método de ajuste es el mismo para el lado izquierdo y derecho.)

- Afloje la tuerca para evitar que se afloje. (Usando la llave.)



\* Es conveniente utilizar el orificio pequeño de la parte trasera de la llave incluida en la caja de accesorios.



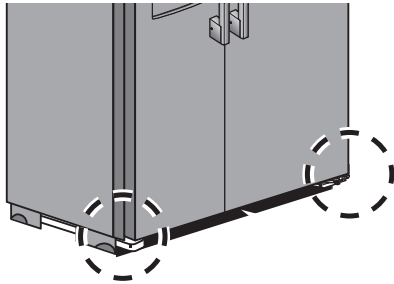
- Utilice la llave M6 para ajustar la altura. (Gire en sentido horario para levantar la puerta del refrigerador.)



## 12. Ajuste de la altura del producto

### ⚠ ADVERTENCIA

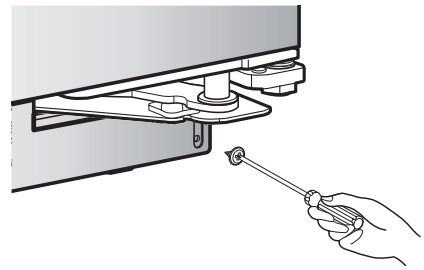
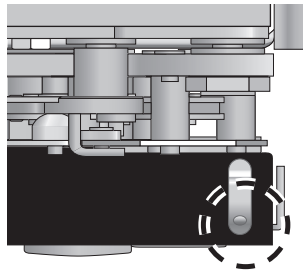
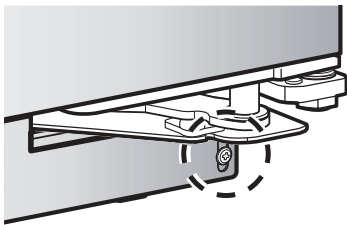
Para reducir la posibilidad de que la unidad se incline hacia adelante, las patas de nivelación delanteras deben estar en contacto con el piso.



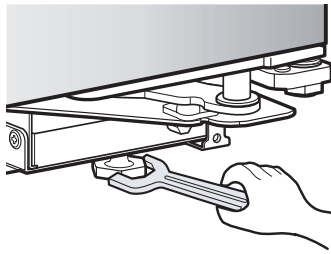
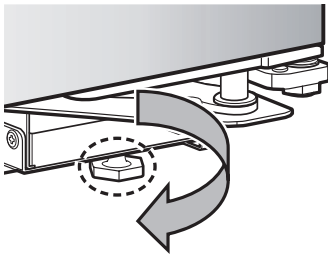
- 1) Use el ajustador de altura del lado frontal/trasero para nivelar el producto y ajustar la altura en los dos lados.
- ※ Para el producto integrado, ajuste la altura y el nivel del producto durante la instalación inicial.  
(Para un ajuste preciso de la altura, se recomienda ponerse en contacto con un servicio técnico.)

2) Orden de ajuste (El método de ajuste es el mismo para el lado izquierdo y derecho.)

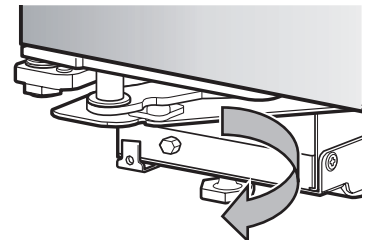
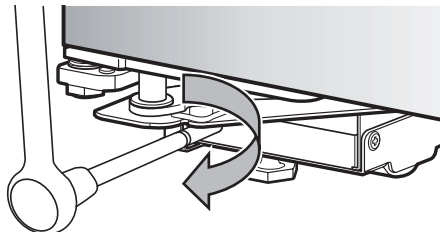
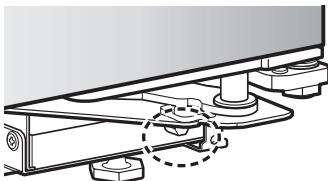
- Desmonte la rejilla inferior utilizando el destornillador (+).



- Utilice el ajustador de altura frontal para ajustar la altura.  
(Gire en sentido horario para elevar el producto.)



- Utilice la llave M8 para ajustar el ajustador de altura del lado trasero.  
(Gire en sentido horario para elevar el producto.)

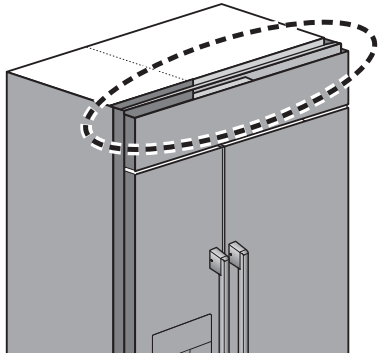


※ La llave M8 no se incluye en la caja de accesorios.

3) Asegúrese de que el peso del refrigerador recaiga sobre las patas, no sobre las ruedas.

4) Tras ajustar la altura, asegúrese de instalar la rejilla inferior.

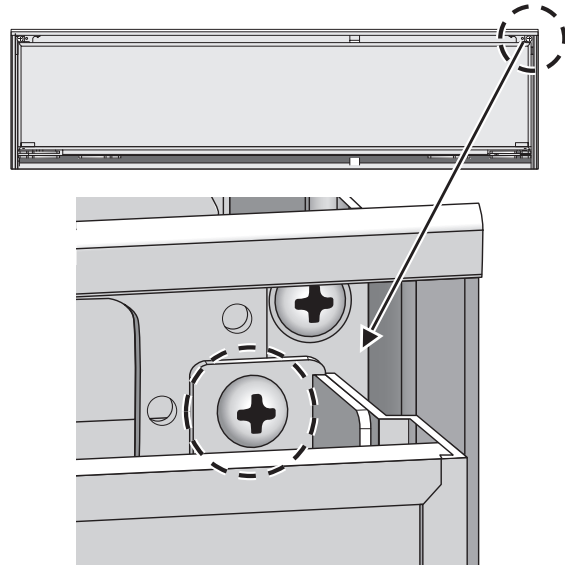
## 13. Desmontaje/montaje de la rejilla superior



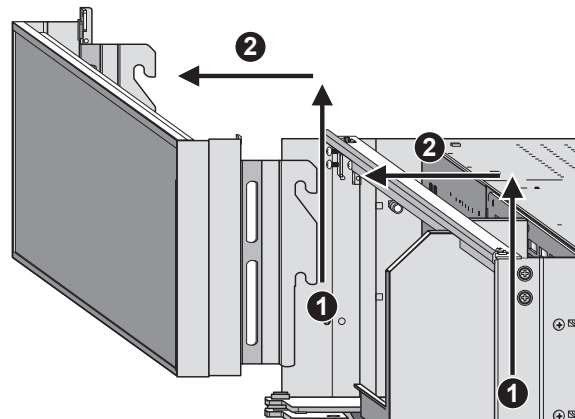
- 1) Para ajustar la puerta izquierda/derecha, debe desmontarse la rejilla superior en primer lugar.
  - \* Debido a que las esquinas pueden ser cortantes, tenga cuidado al realizar el trabajo.
  - \* Tras desmontar la rejilla superior, colóquela en una situación segura para evitar rayar el panel.

### 2) Orden de desmontaje y montaje de la rejilla superior

- Afloje los tornillos indicados y guárdelos. (Izquierdo y derecho son simétricos)



- Eleve la rejilla superior como se muestra en la imagen para extraerla hacia el frente.
- \* Para la seguridad del cliente, hay un gancho en el lado izquierdo/derecho de la rejilla superior. Si la pieza se separa con fuerza excesiva, puede causar lesiones.



- Puede volver a montarse en el orden inverso.

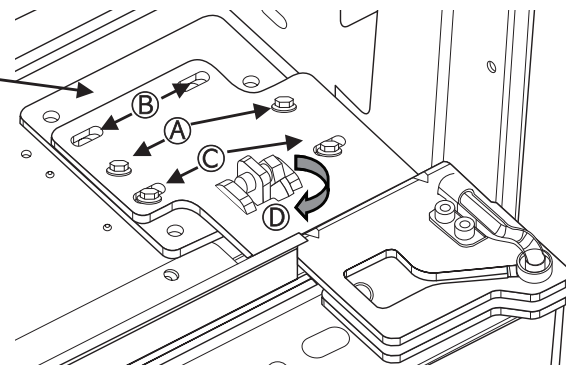
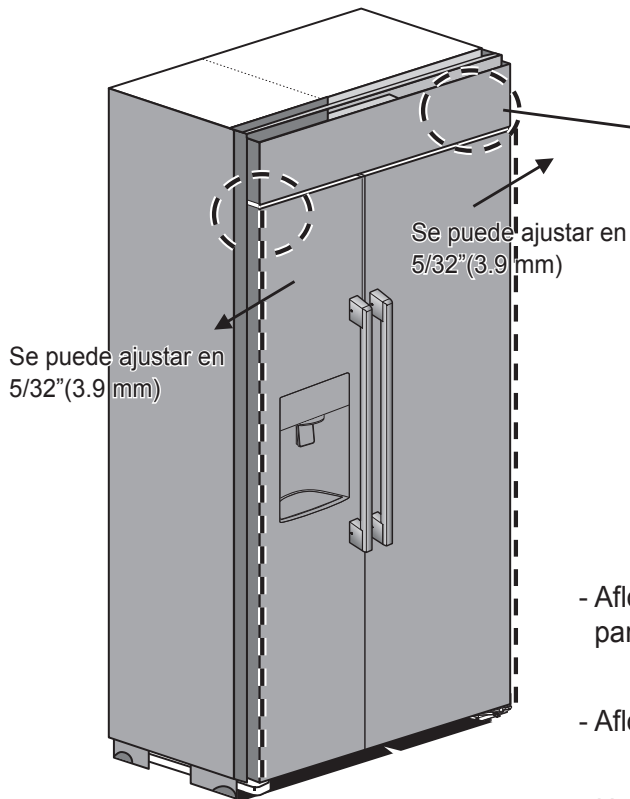
## 14. Ajustador de puerta izquierda/derecha para refrigerador y congelador

1) El espacio entre el refrigerador y el congelador es de  $5/16"$  (8 mm) de fábrica por defecto. Si el espacio entre la puerta del refrigerador y el congelador cambia durante la instalación del producto, utilice el ajustador izquierdo/derecho para mantener la distancia.

- La puerta del refrigerador y el congelador pueden ajustarse  $5/32"$  (3,9 mm) respectivamente.
- La llave M10 para el ajuste izquierdo/derecho no se incluye en la caja de accesorios. (Para un ajuste preciso a izquierda/derecha, se recomienda ponerse en contacto con un servicio técnico.)

2) Orden de ajuste

- ▶ Ajustador de puerta izquierda/derecha del refrigerador



Ajustador de puerta izquierda/derecha del refrigerador

- Afloje los 2 tornillos de la parte A y mueva a la parte B para montar aproximadamente a  $3/8"$  (10 mm).

- Afloje el tornillo de la parte C  $3/8"$  (10 mm).

- Use la llave M10 para ajustar el refrigerador a izquierda/derecha para la parte D.

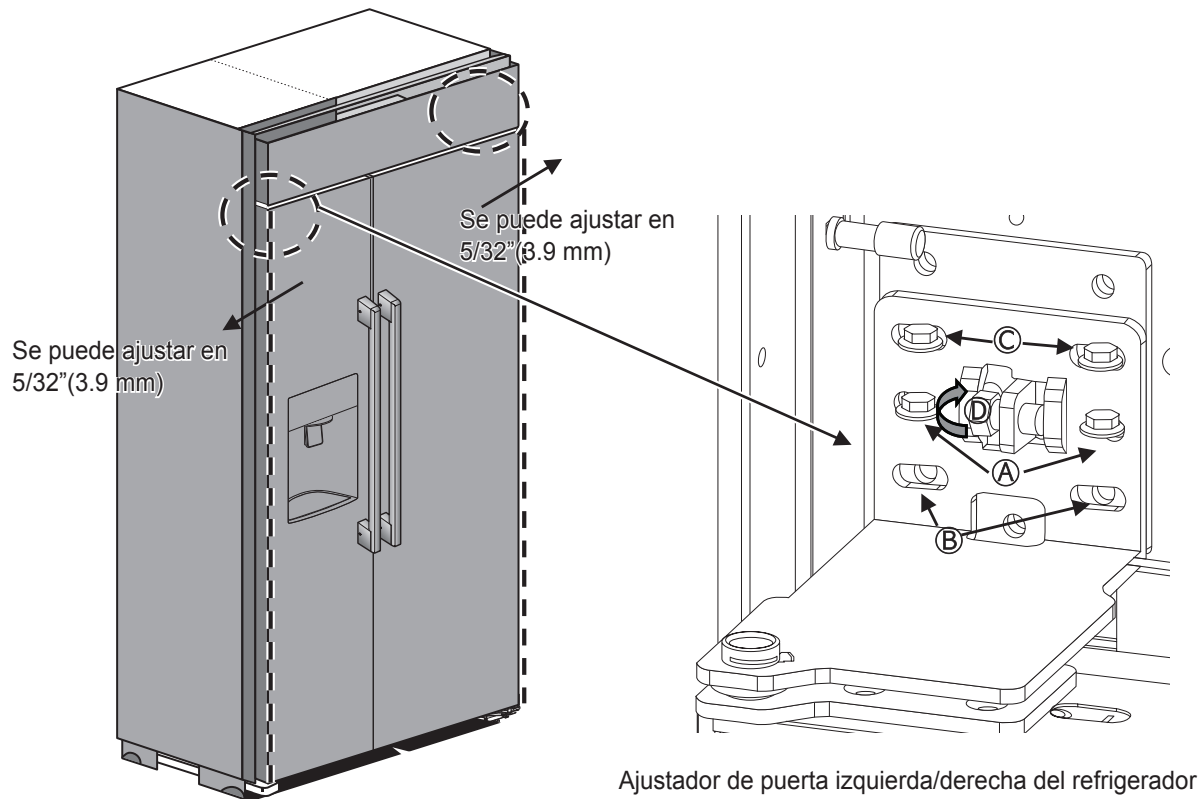
\* Cuando se gira la parte D 2 veces, la puerta del refrigerador debe moverse  $1/32"$  (1 mm).

\* Cuando se gira la parte D en sentido antihorario, el producto se mueve hacia el lado exterior.

## 14. Ajustador de puerta izquierda/derecha para refrigerador y congelador

### 2) Orden de ajuste

#### ► Ajustador de puerta izquierda/derecha del refrigerador



- Afloje los 2 tornillos de la parte A y mueva a la parte B para montar aproximadamente a 3/8" (10 mm).
- Afloje el tornillo de la parte C 3/8" (10 mm).
- Use la llave M10 para ajustar el congelador a izquierda/derecha para la parte D.
- \* Cuando se gira la parte D 2 veces, la puerta del congelador debe moverse 1/32" (1 mm).
- \* Cuando se gira la parte D en sentido antihorario, el producto se mueve hacia el lado exterior.



