

SKSPK480FS

PROFESSIONAL SERIES PANEL KIT FOR 48-INCH FRENCH DOOR REFRIGERATOR

SIGNATURE
KITCHEN SUITE



KIT CONTENTS

Stainless steel panels, professional style handles, toekick

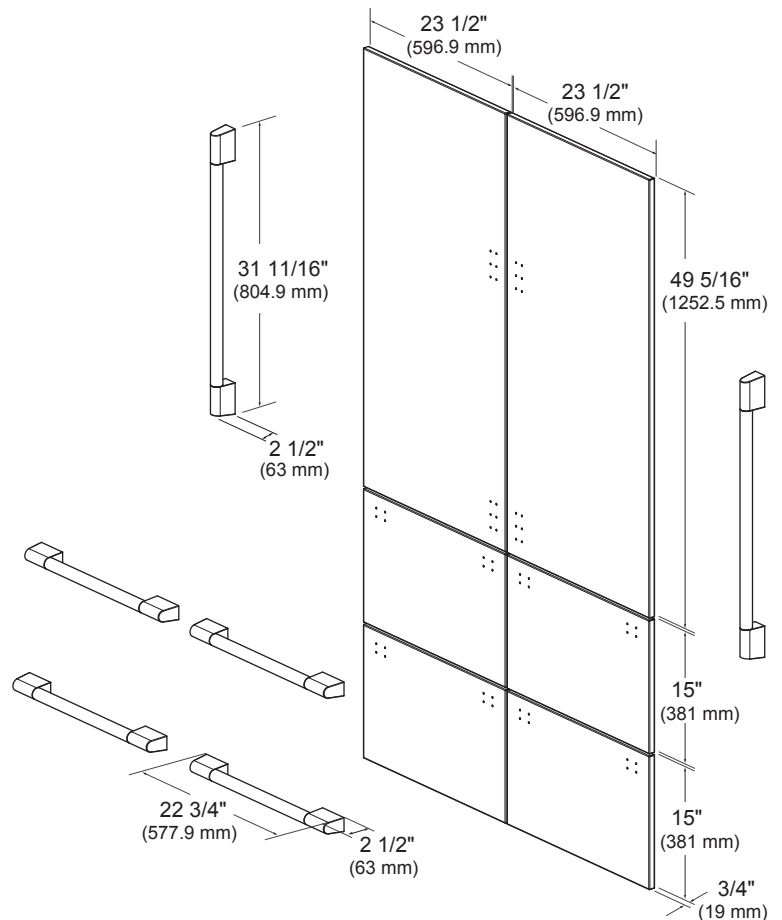
UPC, Dimensions and Weight

UPC	195174041024
Panel Depth Without Handles (inches)	3/4"
Panel Width (inches)	
Fresh Food (Left and Right)	23 1/2"
Convertible Drawer (Left and Right)	23 1/2"
Freezer Drawer (Left and Right)	23 1/2"
Panel Height (inches)	
Fresh Food (Left and Right)	49 5/16"
Convertible Drawer (Left and Right)	15"
Freezer Drawer (Left and Right)	15"
Net Weight (approx.)	93.0 lbs
Shipping Weight (approx.)	145.9 lbs

Works with ...

Built-in French Door Refrigerator	SKSFD4826P
-----------------------------------	------------

OVERALL DIMENSIONS



© 2024 Signature Kitchen Suite. All rights reserved. Design, features and specifications are subject to change without notice. Specifications are for planning purposes only. Consult the product's installation instructions for final dimensional data and other details prior to making cutouts or custom panels. Consult with a heating and ventilation engineer for your specific ventilation requirements. Non-metric weights and measurements are approximate. Smart features require Internet access.

1-855-790-6655 | www.signaturekitchensuite.com