

# SKSPK360FMT

## TRANSITIONAL SERIES PANEL KIT FOR 36-INCH BUILT-IN FRENCH DOOR REFRIGERATOR

**SIGNATURE**  
KITCHEN SUITE



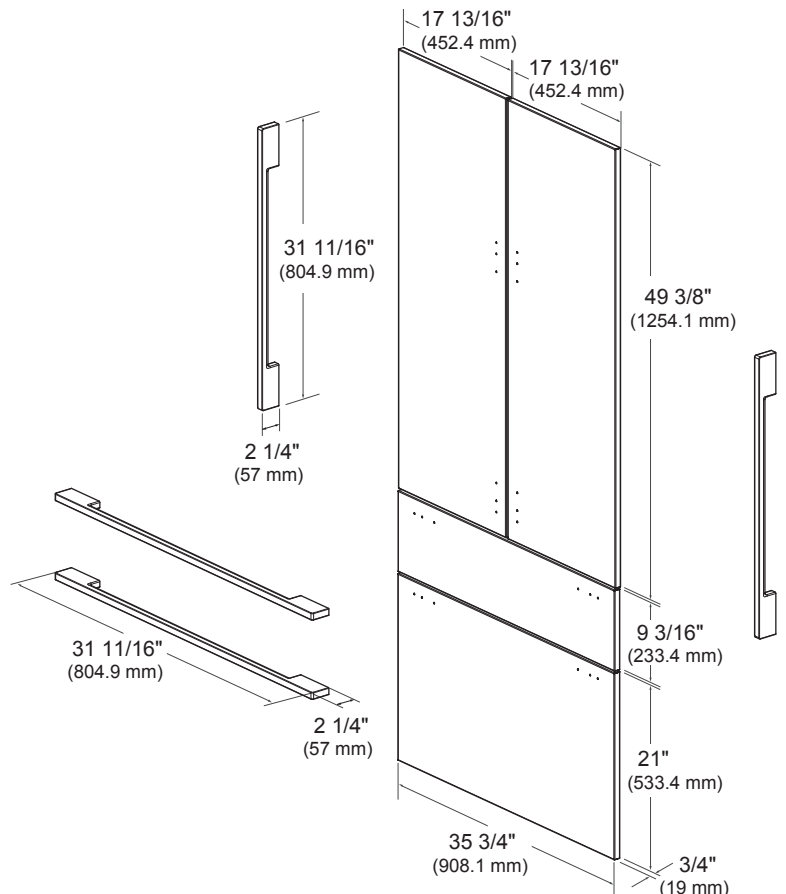
### UPC, Dimensions and Weight

|                                      |              |
|--------------------------------------|--------------|
| UPC                                  | 195174082881 |
| Panel Depth Without Handles (inches) | 3/4"         |
| Panel Width (inches)                 |              |
| Fresh Food (Left and Right)          | 17 13/16"    |
| Convertible Drawer                   | 35 3/4"      |
| Freezer Drawer                       | 35 3/4"      |
| Panel Height (inches)                |              |
| Fresh Food (Left and Right)          | 49 3/8"      |
| Convertible Drawer                   | 9 3/16"      |
| Freezer Drawer                       | 21"          |
| Net Weight (approx.)                 | 68.3 lbs     |
| Shipping Weight (approx.)            | 108.0 lbs    |

### Works with ...

|                                   |            |
|-----------------------------------|------------|
| Built-in French Door Refrigerator | SKSFD3604P |
|-----------------------------------|------------|

### OVERALL DIMENSIONS



### KIT CONTENTS

Satin stainless steel panels, transitional style handles, toe-kick

© 2024 Signature Kitchen Suite. All rights reserved. Design, features and specifications are subject to change without notice. Specifications are for planning purposes only. Consult the product's installation instructions for final dimensional data and other details prior to making cutouts or custom panels. Consult with a heating and ventilation engineer for your specific ventilation requirements. Non-metric weights and measurements are approximate. Smart features require Internet access.

1-855-790-6655 | [www.signaturekitchensuite.com](http://www.signaturekitchensuite.com)