

SKSMD2401S MICROWAVE OVEN DRAWER

SKS | SIGNATURE
KITCHEN
SUITE



1.2 CU. FT. OVEN CAPACITY

1.2 cu. ft. capacity is designed to provide plenty of room to heat large items like casserole dishes and dinner platters.

EASY TOUCH AUTOMATIC DRAWER

The Easy Touch Automatic Drawer system eases open with a gentle pull or the touch of a button. Give the drawer a small nudge and it smoothly shuts for you. The even, gliding action and solid construction prevents liquids from spilling during opening and closing.

SMOOTHTOUCH® GLASS CONTROLS

Intuitive SmoothTouch® Glass Controls not only look sleek but make operating the microwave drawer easy with just a touch. The seamless controls are also easy to wipe clean.

INSTALLATION FLEXIBILITY

Flexible installation options include below an island or peninsula and in standard cabinetry. A heat deflector kit is included for flush or true flush installation for an integrated, streamlined look.

Features

Capacity	1.2 cu. ft.
Power Output	900 W
Sensor Cooking	Yes
Drawer Opening	Easy Touch Automatic
Lighting	Incandescent

Cooking Menu

Display Type	SmoothTouch® Glass Touch
Power Levels	11
Sensor Touch Cooking / Reheat Options	12 (Baked Potatoes, Sweet Potatoes, Fish / Seafood, Brown Rice, White Rice, Quick Fresh Vegetables, Longer Fresh Vegetables, Steamer Bag, Frozen Vegetables, Ground Meat, Frozen, Beverage Reheat)
Defrost Options	6 (Ground Meat, Steaks/Chops, Boneless Poultry, Bone-in Poultry, Roast, Casserole/ Soup)
Minute Plus™	Yes
Stop/Clear, Start/Enter	Yes
Completion Beeper	Yes
Energy Saving Mode	Yes (Dims Display After 3 Minutes of Inactivity)
Kitchen Timer/Clock	Yes
Child Safety Lock	Yes

©2025 LG Electronics USA, Inc. All rights reserved. "Signature Kitchen Suite" and the Signature Kitchen Suite logo are registered trademarks of LG Electronics Inc. Design, features and specifications are subject to change without notice. Specifications are for planning purposes only. Consult the product's installation instructions for final dimensional data and other details prior to making cutouts or custom panels. Consult with a heating and ventilation engineer for your specific ventilation requirements. Non-metric weights and measurements are approximate. Smart features require Internet access.

1-855-790-6655 | www.signaturekitchensuite.com

SKSMD2401S MICROWAVE OVEN DRAWER

Installation Features

Deflector Vent Kit Included (Required for Flush and True Flush Installation)	Yes
--	-----

Technical Specs

Required Power Supply	120V, 60Hz / 15 Amp
Plug Type	3-Prong
Power Cord Length (inches)	48

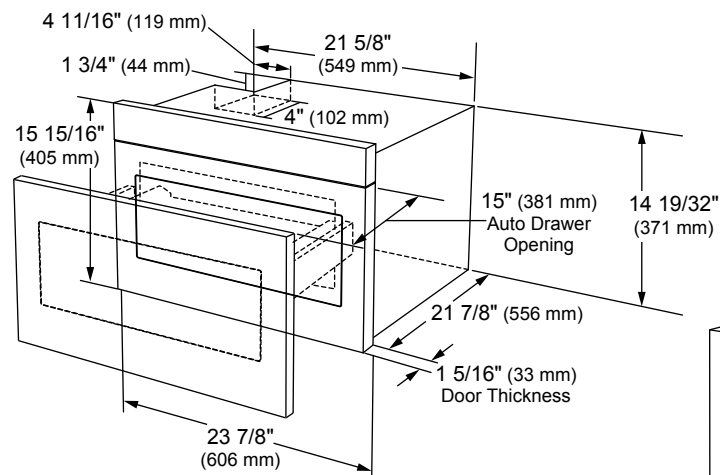
Dimensions and Weight

Overall Exterior Width (inches)	23 7/8
Overall Exterior Height (inches)	15 15/16
Overall Exterior Depth (inches)	23 1/64
Required Cutout Width (inches)	22 1/8
Required Cutout Height (inches)	15 9/16
Required Cutout Depth (inches)	23 1/2
Interior Width (inches)	17 5/16
Interior Height (inches)	7 1/8
Interior Depth (inches)	16 9/16
Net Weight (approx.)	74 lbs
Shipping Weight (approx.)	88 lbs

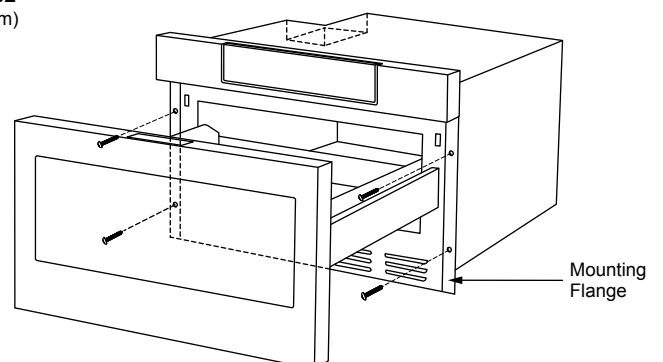
Warranty Summary*

Limited Warranty, Parts & Labor (In Home Service)	3 Years
Limited Warranty on Magnetron (In Home Service)	10 Years

OVERALL PRODUCT DIMENSIONS



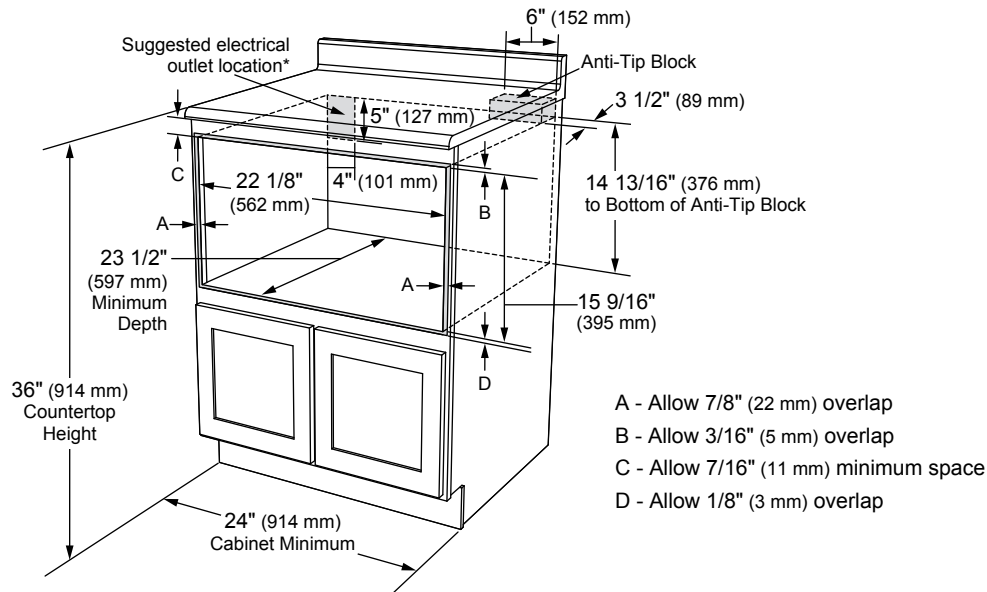
MOUNTING SCREW LOCATIONS



*These warranties give you specific legal rights and you may have other rights that vary from state to state. For complete warranty details, refer to your Use & Care manual.

SKSMD2401S MICROWAVE OVEN DRAWER

STANDARD (PROUD) INSTALLATION



*Can also be installed using an electrical outlet in an adjacent cabinet within the area where the provided electrical cord can reach. Power cord access hole in cabinet should be a minimum 1 1/2" (38 mm) diameter hole and deburred of all sharp edges.

Notes

The floor of the opening should be constructed of plywood strong enough to support the weight of the oven (about 100 pounds).

Electrical

A 120V, 60Hz grounded power receptacle should be installed at the back of the cabinet opening.

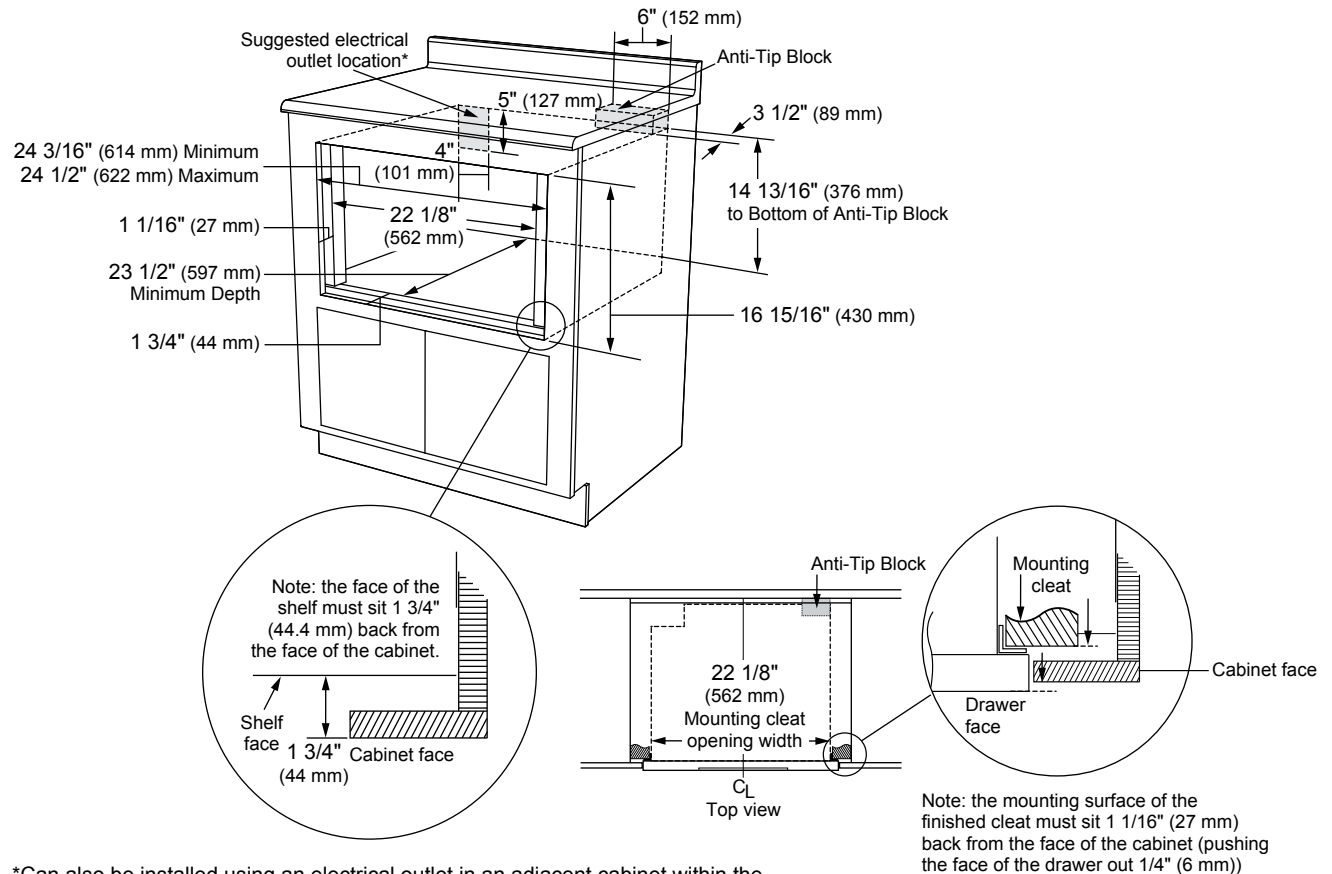
Warning

Be sure that the clearance of the floor between the wall oven and the microwave drawer is a minimum of 2-inches.

SKSMD2401S MICROWAVE OVEN DRAWER

A growing trend in the installation of kitchen appliances is mounting flush. This allows the consumer to present their appliances with a clean, flush with the cabinet face appearance. In this installation type, there are two ways to accomplish this look: 1/4" front extended and true flush.

FLUSH (1/4" FRONT EXTENDED) INSTALLATION – REQUIRES DEFLECTOR VENT (KIT INCLUDED)



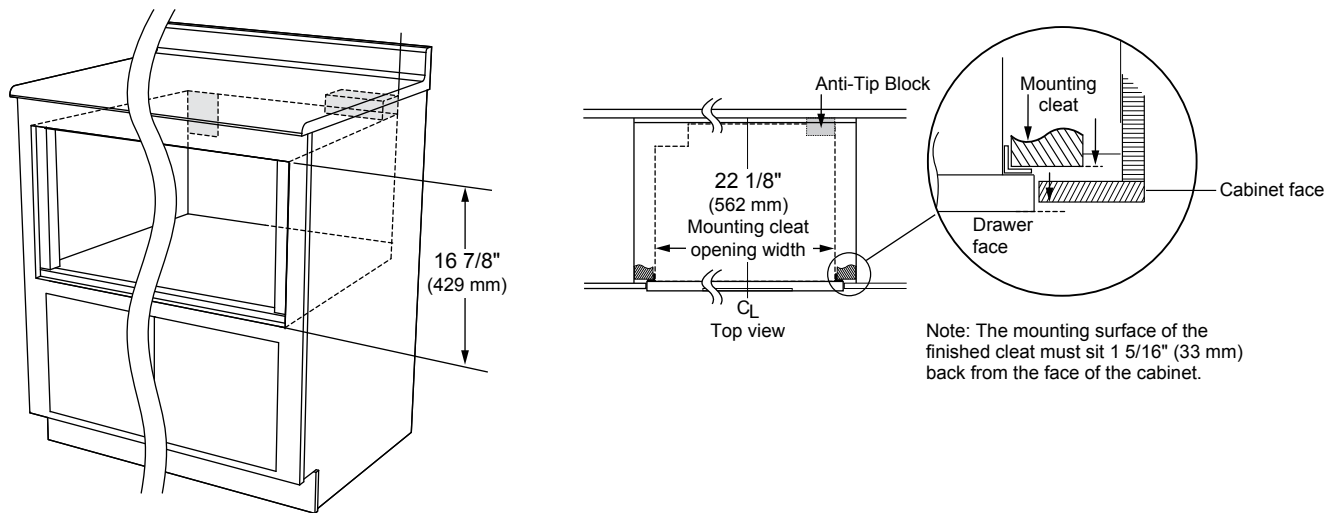
*Can also be installed using an electrical outlet in an adjacent cabinet within the area where the provided electrical cord can reach. Power cord access hole in cabinet should be a minimum 1 1/2" (38 mm) diameter hole and deburred of all sharp edges.

Notes

In the flush 1/4" front extended application, the appliance can be mounted slightly "proud" of the cabinet cutout, which will create a flush appearance. Having the 1/4" extension also allows to hide the cabinet cutout edges.

SKSMD2401S MICROWAVE OVEN DRAWER

TRUE FLUSH INSTALLATION – REQUIRES DEFLECTOR VENT (KIT INCLUDED)

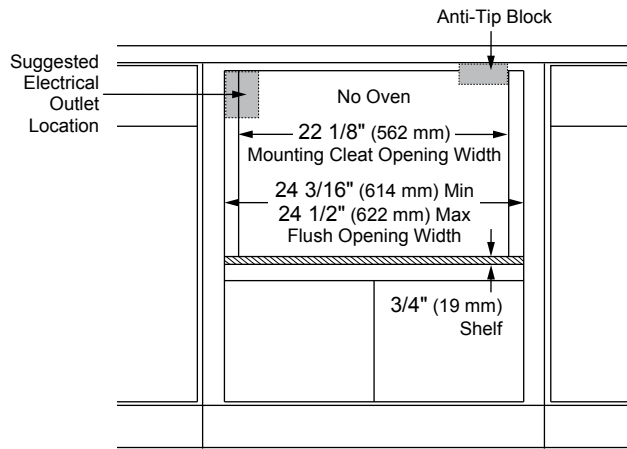


*Can also be installed using an electrical outlet in an adjacent cabinet within the area where the provided electrical cord can reach. Power cord access hole in cabinet should be a minimum 1 1/2" (38 mm) diameter hole and deburred of all sharp edges.

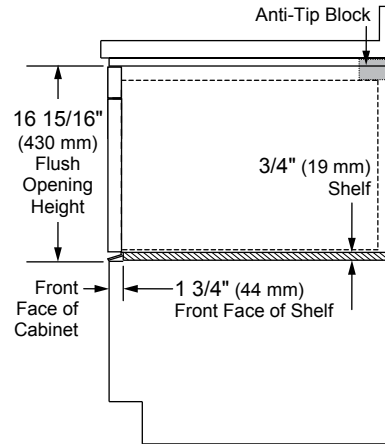
Notes

In the true flush application, the appliance is mounted just as described, truly flush with the cabinet face. However, due to the appliance face and the cabinet face being on the same plane, the cabinet cutout edges will be visible and exposed. It is recommended in this true flush installation to finish / stain these edges.

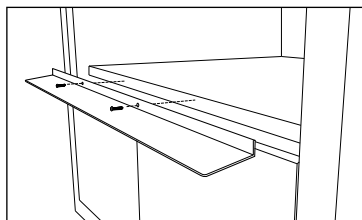
DEFLECTOR VENT KIT INSTALLATION – REQUIRED FOR FLUSH AND TRUE FLUSH INSTALLATION



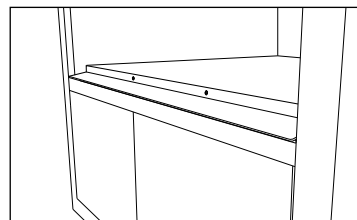
Front View



Side View



Shelf detail showing the deflector vent during installation.
 Position deflector vent and mark holes.
 Pre drill using a 1/16" (1.57 mm) bit before mounting.



Shelf detail showing the deflector vent installed.