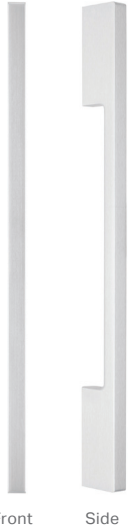


SKSHK230HST
TRANSITIONAL SERIES
SHORT HANDLE



Front

Side

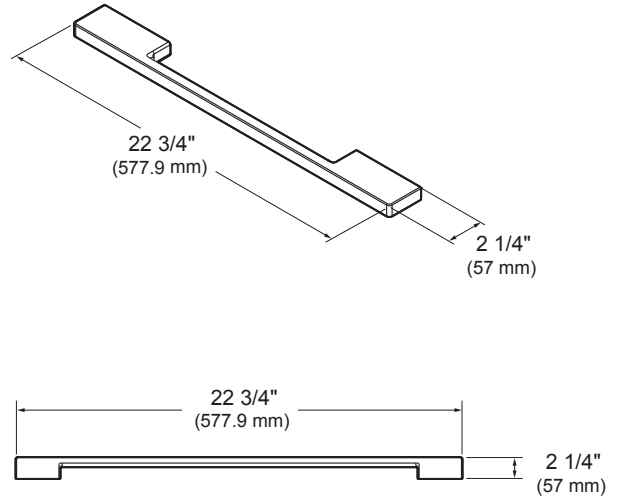
UPC, Dimensions and Weight

UPC	195174082966
Overall Width (inches)	13/16"
Overall Height (inches)	22 3/4"
Overall Depth (inches)	2 1/4"
Net Weight (approx.)	2.6 lbs
Shipping Weight (approx.)	3.1 lbs

Works with ...

French Door Refrigerators	SKSFD4826P SKSFD3604P
Undercounter Refrigeration	SKSUD2402P SKSUW2401P

OVERALL DIMENSIONS



© 2024 Signature Kitchen Suite. All rights reserved. Design, features and specifications are subject to change without notice. Specifications are for planning purposes only. Consult the product's installation instructions for final dimensional data and other details prior to making cutouts or custom panels. Consult with a heating and ventilation engineer for your specific ventilation requirements. Non-metric weights and measurements are approximate. Smart features require Internet access.
 1-855-790-6655 | www.signaturekitchensuite.com