

SKSFD4826SP

48-INCH BUILT-IN FRENCH DOOR REFRIGERATOR, PRE-ASSEMBLED, PROFESSIONAL DESIGN



PRE-ASSEMBLED PROFESSIONAL STAINLESS STEEL PANELS, HANDLES & FRAME KIT

Pre-Assembled, for a simplified and faster installation.

SIGNATURE FIT™ PROUD OR FLUSH DESIGN

Versatile design allows for 3/4" proud installation in existing 24" deep cabinets or true flush installation in 25" deep cabinetry. All drawers line up with standard countertop height a seamless look.

DUAL COMPRESSORS & DUAL EVAPORATORS FOR PRECISE PRESERVATION

Always keeps temperature fluctuation within +/-1° F to enhance food freshness for longer period of time*. Separated cooling from refrigerator and freezer keeps compartments at optimized humidity.

CONVERTIBLE FRIDGE/FREEZER DRAWER

Innovative convertible fridge/freezer drawer offers five preset temperatures zones for precise food preservation: chilled wine, fridge deli, meats and seafood, cold drinks, or drop the temperature all the way down to make it a freezer when you need it.

INTERNAL WATER DISPENSER & DUAL ICE MAKER WITH CRAFT ICE®

The internal water dispenser delivers cold, fresh, filtered water with a simple touch. Options for both the slow-melting, spherical Craft Ice and frustum ice elevate beverages of all kinds.

Style

Door Style / Handles	Professional Stainless Steel Panels and Handles
Interior Cabinet Finish	Metal

Innovation

Wi-Fi Enabled for ThinQ® Control with iPhone / Android App	Yes
Remote Operations	Yes
4 Drawer Design	Yes
Craft Ice® and Cubed Ice	Yes

Performance

Dual Smart Inverter Compressors	Yes
Dual Evaporators	Yes
Smart Cooling Plus® System	Yes
IcePlus®	Yes
Adaptive Defrost	Yes

Modes

Sabbath, IcePlus®, Demo, Icemaker On / Off, Power On / Off, Temp Control, Water Filter Reset, Smart Diagnosis, Wi-Fi, Smart Grid

Internal Water Dispenser	Yes
Water Filter (6 Months)	Yes
Fresh Air Filter	Yes

Capacity and Storage

Total Capacity (cu. ft.)	26.0
Refrigerator Capacity (cu. ft.)	18.35
Freezer Capacity (cu. ft.)	7.65
Full-Extension Freezer Storage Drawer	2 Soft Close / Self Close
Full-Extension Dual Icemaker Drawer	1 Soft Close / Self Close
Full-Extension Convertible Drawer	1 Soft Close / Self Close

Convertible Drawer Modes

Freezer (-7° to 5° F), Meat / Seafood (30° F), Cold Drinks (33° F), Fridge / Deli (37° F), Chilled Wine (41° F)

*Based on TÜV Rheinland test results using LG's internal testing method measuring the average peak to peak temperature fluctuation in the fresh food compartment at the factory temperature setting under no load condition. Applicable models only. The result may vary in actual usage.

©2025 LG Electronics USA, Inc. All rights reserved. "Signature Kitchen Suite" and the Signature Kitchen Suite logo are registered trademarks of LG Electronics Inc. Design, features and specifications are subject to change without notice. Specifications are for planning purposes only. Consult the product's installation instructions for final dimensional data and other details prior to making cutouts or custom panels. Consult with a heating and ventilation engineer for your specific ventilation requirements. Non-metric weights and measurements are approximate. Smart features require Internet access.

1-855-790-6655 | www.signaturekitchensuite.com

SKSFD4826SP

48-INCH BUILT-IN FRENCH DOOR REFRIGERATOR, PRE-ASSEMBLED, PROFESSIONAL DESIGN

SKS | SIGNATURE
KITCHEN
SUITE

Capacity and Storage (continued)

Convertible Drawer Dividers	1
Storage Shelves	4 Adjustable w/LED Lighting, 1 Fixed
Lift and Go™ Crisper / Storage Drawers	2 Soft Close / Self Close
Aluminum Framed Door Bins (Holds 2-Liter Bottles)	6 Adjustable

General Features

LCD Touch Screen	Yes
Water Filter Indicator	Yes
Dual Ice Makers with Craft Ice®	Yes
Ice Production (24 Hrs.), Cubed	3.5 lbs (3.8 lbs with IcePlus®)
Ice Production (24 Hrs.) Craft Ice®	3 Clear or 6 Standard
Ice On / Off	Yes
Smart Grid Ready	Yes
Hidden LED Interior Lighting	Yes
Operating Temperatures Refrigerator: 33° to 43° F Convertible Drawer: 5 Preset Modes Freezer Drawers: -7° to 5° F	
Temperature Sensors	4
Door Alarm	Yes
Cooling System	Multi-Air-Flow Technology
Maximum Sound Level	39 dBA
Star-K Certified Sabbath Mode	Yes
ENERGY STAR® Certified	Yes

Installation Features

Four Point Front Adjustable with 5 Wheels	Yes
Attachment Method to Cabinetry	Top with No Visible Screws
Front Serviceable	Yes
Anti-tip Bracket Included	Yes

Technical Specs

Required Power Supply	115 V, 60 Hz, 15 Amp
Plug Type	3-Prong
Power Cord Length	86 1/2"

Dimensions and Weight

Overall Width (inches)	47 1/4"
Overall Height (inches)	83 1/2" Min. – 84 3/16" Max.
Overall Depth Without Panel or Handles (inches)	23 7/8"
Net Weight (approx.)	761 lbs.
Shipping Weight (approx.)	840 lbs.

Optional Accessories

Replacement Water Filter	LT1000P-S
--------------------------	-----------

Warranty Summary*

Limited Warranty, Parts & Labor	3 Years
Limited Warranty, Sealed System and Compressor, Parts & Labor	5 Years
Limited Warranty Compressor, Parts Only	10 Years

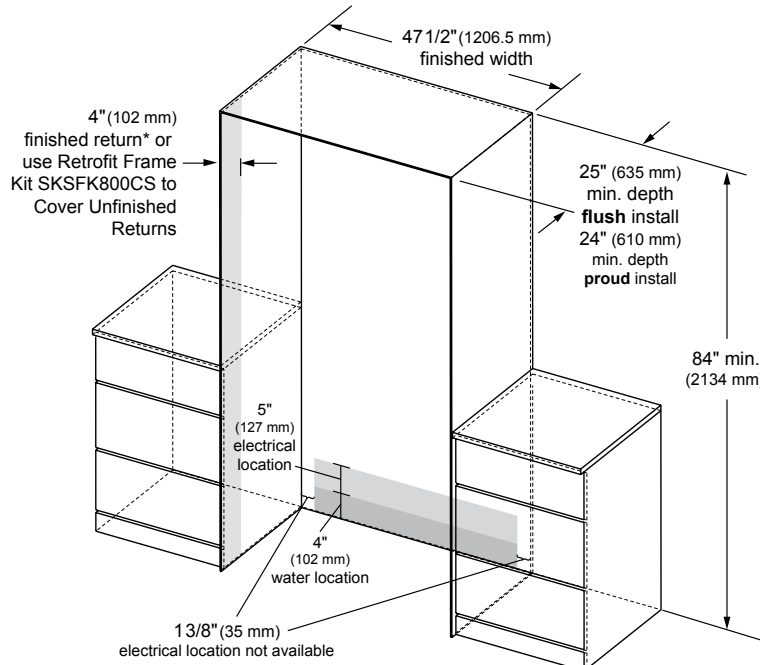
*These warranties give you specific legal rights and you may have other rights that vary from state to state. For complete warranty details, refer to your Use & Care manual.

SKSFD4826SP

48-INCH BUILT-IN FRENCH DOOR REFRIGERATOR, PRE-ASSEMBLED, PROFESSIONAL DESIGN



CUTOUT DIMENSIONS – FLUSH AND PROUD INSTALLATION



*A minimum 4" (102 mm) finished return that matches the cabinet exterior is recommended on all sides and the top of the cutout opening. The shaded area will be visible after installation.

Notes

Proud or Flush Installation

Refrigerator installs proud in a 24" deep cutout. The pre-assembled panel protrudes with 3/4".

With a 25" (635 mm) cutout depth, the front face of the refrigerator fits flush with 25" (635 mm) depth adjacent cabinets.

Electrical

A 115V, 60Hz., 15 amp power supply is required. An individual properly grounded branch circuit or circuit breaker is recommended. Install a properly grounded 3-prong electrical receptacle recessed into the back wall. Electrical must be located on rear wall as shown.

Note: GFI (ground fault interrupter) is not recommended.

Water Line

A cold water supply is required for automatic icemaker operation. Water pressure must be between 20 and 120 p.s.i.

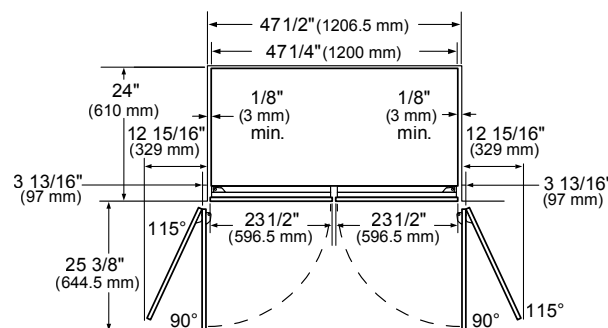
Tubing should be long enough to extend to the front of the refrigerator. Allow enough tubing to accommodate a bend leading into the water line connection.

Water line can enter an opening through floor or back wall.

Install a shut-off valve between the icemaker water valve and cold water supply in the home.

INSTALLATION CLEARANCES – FLUSH INSTALLATION

TOP VIEW



Notes

Door Swing Clearances – The installation must allow for clearances to adjacent walls or cabinets. This refrigerator is equipped with a 2-position door stop. The factory-set 115° door swing can be adjusted to 90° if clearance to adjacent cabinets or walls is restricted.

Door Handle Clearances – The pre-assembled unit uses a Stainless Steel Door Panel Kit w/Handles with the Brushed Aluminum Handles. The door handle clearance with door open 115° is 12 15/16" (329 mm).

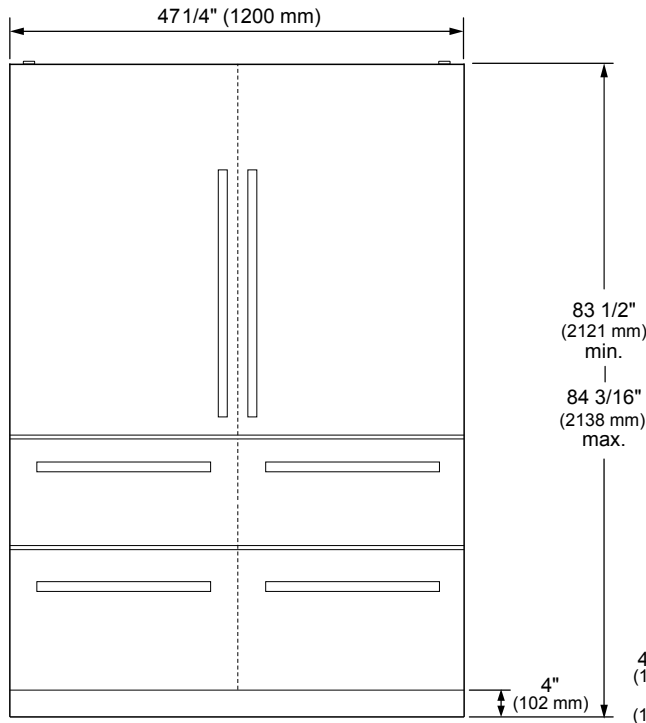
SKSFD4826SP

48-INCH BUILT-IN FRENCH DOOR REFRIGERATOR, PRE-ASSEMBLED, PROFESSIONAL DESIGN

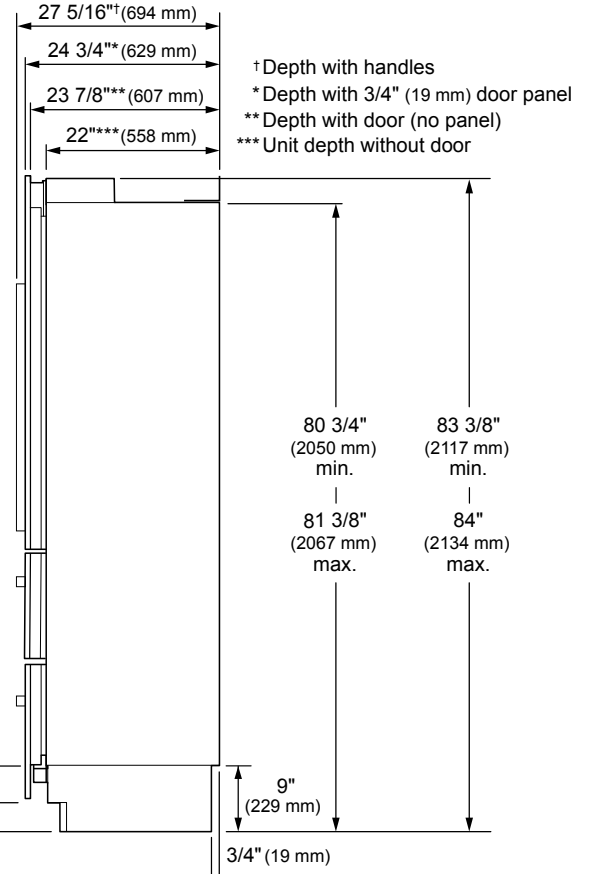


OVERALL PRODUCT DIMENSIONS

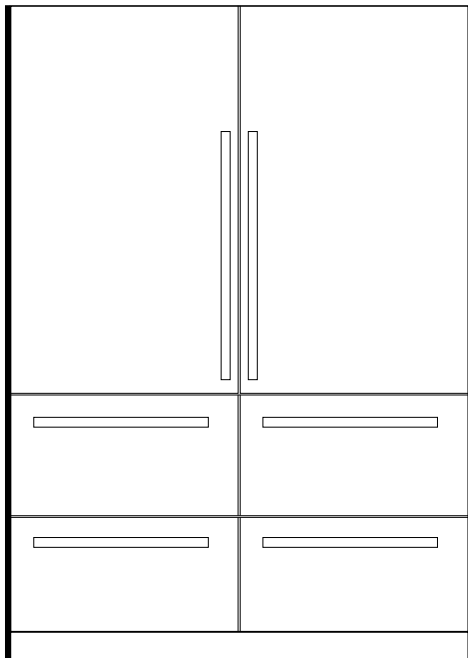
FRONT VIEW



SIDE VIEW



INCLUDED ACCESSORIES



Frame Kit (Included)

This unit can be installed in a 24" (610 mm) deep cutout with the included frame kit to cover an unfinished furniture return. The kit includes two 80" (2032 mm) brushed aluminum side trim pieces. Each trim piece is 5" (127 mm) deep with a 1/2" (13 mm) front face.