

# SKSCH3001S

## 30" CHIMNEY WALL HOOD



### SLEEK LOW-PROFILE DESIGN

Add a sleek, modern look to your kitchen with this Chimney style hood design, perfect for use over most 30" and 36" cooktops and ranges.

### DUAL LEVEL LED LIGHTING AND ADJUSTABLE BLOWER SPEEDS

Clearly see the food being prepared with LED lighting and five blower speeds that provides a wide range of CFMs from 200-600 CFM to meet local requirements, without compromising power or design.

### EASY-TO-CLEAN MESH FILTERS

Effectively remove smoke and odors with the dishwasher safe mesh filter. After 30-hours of use, the filter clean reminder will activate, ensuring filters are always performing at their best.

### WI-FI ENABLED FOR CONNECTIVITY

Connect the hood and cooktop for automatic communication with each other so the fans and burners are synchronized. Utilize the ThinQ® App to monitor and control air movement, operate the LED lights and turn the hood on and off.

### VMAX™ TECHNOLOGY (VARIABLE MAXIMUM CFM)

The hood provides a wide range of maximum CFMs from 290 through 600 CFM to meet local requirements, without having to compromise power or design.

### Innovation

Wi-Fi Enabled for ThinQ® Control with iPhone / Android App	Yes
Remote Operations	Yes

### Performance Features

Internal Blower (Included)	200-600 CFM, 1-6 Sones
Speed Levels	5
VMAX™ Technology*	Yes
Variable Max. CFM Set at 390	200-390 CFM, 1-4 Sones, 4 Speeds
Variable Max. CFM Set at 290	200-290 CFM, 1-3 Sones, 3 Speeds
Electronic Touch Controls	Yes
Auto Delay-Off	Yes
Dual-Level Lighting	Yes
Lighting Type	LED
Dishwasher Safe Filters	2 Mesh

### Technical Specs

Mounting Height Above 36" High Cooktop / Range	26" Min. – 34" Max.
Installation Options	Vented
Discharge Direction	Vertical
Vertical Discharge	6" Round
Total Connect Load	120 VAC, 60 Hz, 4 Amp
Circuit Breaker Size (Min.)	15 Amp

©2025 LG Electronics USA, Inc. All rights reserved. "Signature Kitchen Suite" and the Signature Kitchen Suite logo are registered trademarks of LG Electronics Inc. Design, features and specifications are subject to change without notice. Specifications are for planning purposes only. Consult the product's installation instructions for final dimensional data and other details prior to making cutouts or custom panels. Consult with a heating and ventilation engineer for your specific ventilation requirements. Non-metric weights and measurements are approximate. Smart features require Internet access.  
1-855-790-6655 | [www.signaturekitchensuite.com](http://www.signaturekitchensuite.com)

# SKSCH3001S

## 30" CHIMNEY WALL HOOD

### Dimensions and Weight

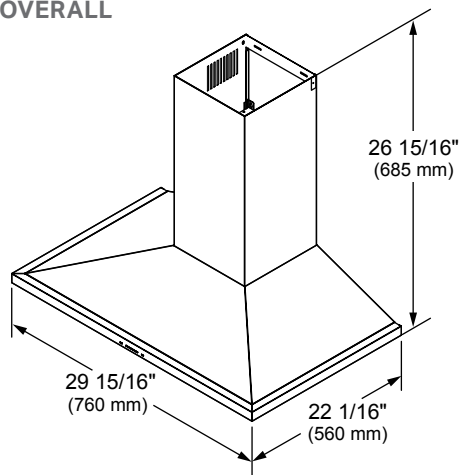
Overall Width (inches)	29 15/16"
Overall Height (inches)	26 15/16"– 48 1/2"
Overall Depth (inches)	22 1/16"
Net Weight (approx.)	38.6 lbs.
Shipping Weight (approx.)	53 lbs.

### Warranty Summary\*

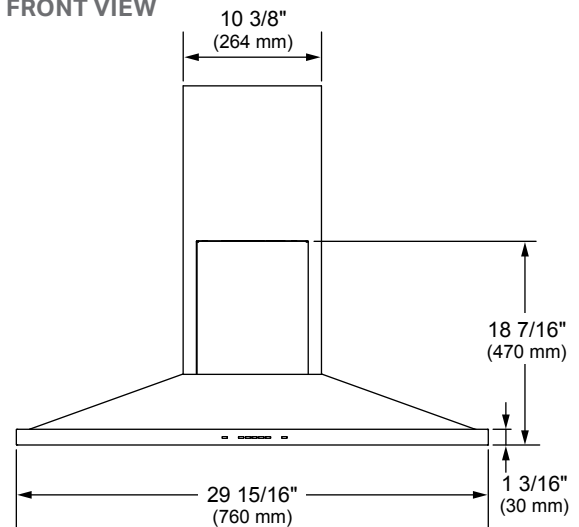
Full Warranty, Parts & Labor	3 Years
------------------------------	---------

### OVERALL PRODUCT DIMENSIONS

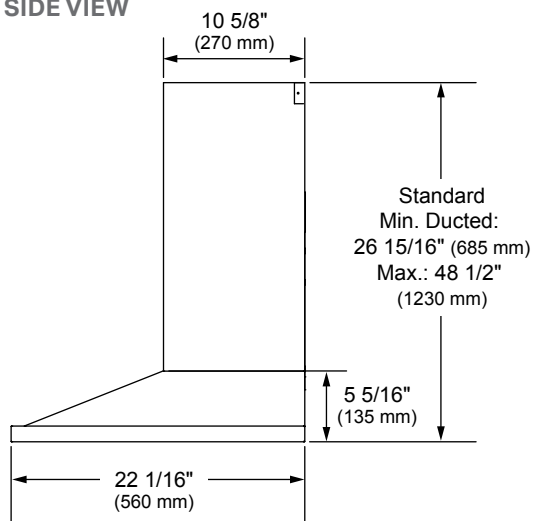
#### OVERALL



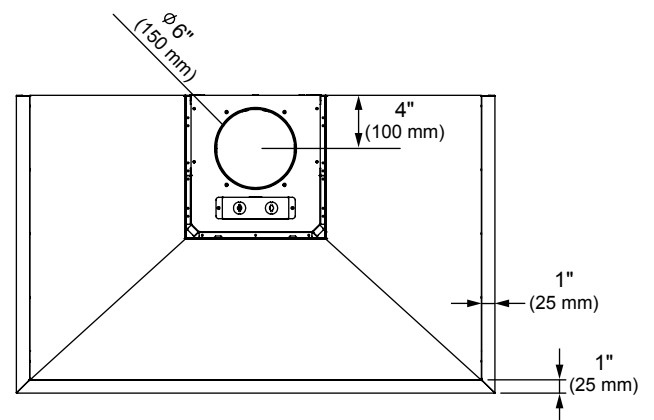
#### FRONT VIEW



#### SIDE VIEW



#### TOP VIEW



\*These warranties give you specific legal rights and you may have other rights that vary from state to state. For complete warranty details, refer to your Use & Care manual.