

Scan to see the online manual.



# OWNER'S MANUAL

# **BUILT-IN REFRIGERATOR**

Read this owner's manual thoroughly before operating the appliance and keep it handy for reference at all times.

**ENGLISH**

SKSFD4826P, SKSFD4826SP, SKSFD4826MT



MFL70339839  
Rev.04\_082824

[www.signaturekitchensuite.com](http://www.signaturekitchensuite.com)

Copyright © 2022-2024 Signature Kitchen Suite. All Rights Reserved.

2

---

## TABLE OF CONTENTS

### 3 IMPORTANT SAFETY INSTRUCTIONS

---

- 3 READ ALL INSTRUCTIONS BEFORE USE
- 3 WARNING
- 6 CAUTION

### 7 PRODUCT OVERVIEW

---

- 7 Product Features

### 9 OPERATION

---

- 9 Before Use
- 10 Control Panel
- 14 Sabbath Mode
- 14 Water Dispenser
- 15 Automatic Icemaker
- 16 Storing Food
- 18 Crisper Drawers
- 19 Freezer Drawers
- 22 Shelves
- 23 Door Bins

### 24 SMART FUNCTIONS

---

- 24 LG ThinQ Application
- 26 Smart Grid Function
- 27 Smart Diagnosis™ Feature

### 29 MAINTENANCE

---

- 29 Cleaning
- 29 Air Filter
- 30 Water Filter

### 34 TROUBLESHOOTING

---

- 34 FAQs
- 35 Before Calling for Service

### 43 LIMITED WARRANTY

---

- 43 USA
- 45 Canada

# IMPORTANT SAFETY INSTRUCTIONS

## READ ALL INSTRUCTIONS BEFORE USE

### Safety Messages

**Your safety and the safety of others are very important.**

We have provided many important safety messages in this manual and on your appliance. Always read and follow all safety messages.



This is the safety alert symbol.

This symbol alerts you to potential hazards that can kill or injure you and others. All safety messages will follow the safety alert symbol and either the word **WARNING** or **CAUTION**.

These words mean:



#### **WARNING**

You may be killed or seriously injured if you do not follow instructions.



#### **CAUTION**

You may be injured or cause damage to the product if you do not follow instructions.

All safety messages will tell you what the potential hazard is, tell you how to reduce the chance of injury, and tell you what may happen if the instructions are not followed.

## WARNING



### **WARNING**

- To reduce the risk of explosion, fire, death, electric shock, scalding or injury to persons when using this product, follow basic precautions, including the following:

### Installation

- To avoid a hazard due to instability of the appliance, it must be fixed in accordance with the instructions.
- When positioning the appliance, ensure the supply cord is not trapped or damaged.
- Do not locate multiple portable socket-outlets or portable power supplies at the rear of the appliance.

### Operation

- This appliance is intended to be used in household and similar applications such as:
  - staff kitchen areas in shops, offices and other working environments;
  - farm houses and by clients in hotels, motels and other residential type environments;
  - bed and breakfast type environments;
  - catering and similar non-retail applications.
- This appliance is not for use in portable or mobile installations, such as marine or RV uses, where it will be in motion while operating.
- This appliance is not intended for use by persons (including children) with reduced physical, sensory or mental capabilities, or lack of experience and knowledge, unless they have been given supervision or instruction concerning use of the appliance by a person responsible for their safety.
- This product is not to be used for special purposes such as the storage of medicine or test materials or for use on ships, etc.

## 4 IMPORTANT SAFETY INSTRUCTIONS

---

- DO NOT allow children to climb, stand, or hang on the refrigerator doors or on the shelves in the refrigerator. They could damage the refrigerator and seriously injure themselves.
- Do not allow children to climb into the refrigerator. They could be trapped and suffocated.
- Children should be supervised to ensure that they do not play with the refrigerator.
- Keep fingers out of pinch point areas; clearances between the doors and cabinets are necessarily small. Be careful closing doors when children are nearby.
- Do not touch frozen food or the metal parts in the freezer compartment with wet or damp hands. Doing so may cause frostbite.
- Do not refreeze frozen food that has thawed completely. Doing so may result in a serious health hazard.
- Do not use an adapter plug or plug the power plug into a multi-outlet extension cord.
- If the supply cord is damaged, it must be replaced by the manufacturer or its service agent or a similarly qualified person in order to avoid a hazard.
- Do not operate the refrigerator or touch the power cord with wet hands.
- Do not modify or extend the power cord.
- Do not use an uncertified power outlet. Do not plug the appliance into a damaged wall outlet.
- Do not put hands, feet or other objects into the air vents or bottom of the refrigerator. Doing so could result in personal injury or electric shock.
- In the event of a gas leak (propane/LPG), ensure the area is adequately ventilated and contact an authorized service center before resuming use. Do not touch the refrigerator or power button of the refrigerator.
- Turn off power to the appliance immediately and contact an authorized service center if there is a strange noise, odor, or smoke coming from the appliance.
- Do not use any fuse (such as copper, steel wire, etc.) other than a standard fuse.
- Do not place or use an electrical appliance inside the refrigerator, unless it is of a type recommended by the manufacturer.
- Do not put animals inside the appliance.
- Do not place heavy or fragile objects, liquid filled containers, combustible substances, or flammable objects (such as candles and lamps) on the appliance.
- If connected to a circuit protected by fuses, use time delay fuse.
- Keep ventilation openings, in the appliance enclosure or in the built-in structure, clear of obstruction.
- Do not use mechanical devices or other means to accelerate the defrosting process, other than those recommended by the manufacturer.
- Do not use electrical appliances inside the food storage compartments of the appliance, unless they are of a type recommended by the manufacturer.
- Do not store explosive substances such as aerosol cans with a flammable propellant in this appliance.
- Do not damage the refrigerant circuit.
- An individual properly grounded branch circuit or circuit breaker must be used in case of a required disconnect after installation.
- This appliance incorporates an earth connection for functional purposes.
- Connect to potable water supply only.
  - If connected to a water supply, connect to a potable water supply only.
- Fill with potable water only.
  - If using an icemaker or dispenser water tank, make sure to fill it with potable water only.

### Maintenance

- Do not use a hair dryer to dry the inside of the refrigerator.
- Do not light a candle to remove odors in the refrigerator.

- In the event of a refrigerant leak, move flammable objects away from the refrigerator. Ensure the area is adequately ventilated and contact an authorized service center.
- Keep flammable materials and vapors, such as gasoline, away from the refrigerator.
- This appliance is intended to be used in household and similar applications such as staff kitchen areas in shops, offices and other working environments; farm houses and by clients in hotels, motels and other residential type environments; bed and breakfast type environments; catering and similar non-retail applications.
- Turn off power before cleaning or repairing the refrigerator.
- The refrigerator and freezer compartment lights are interior LED lighting, and service should be performed by a qualified technician.
- Turn off power immediately in the event of a blackout or thunderstorm.
- Turn the power off if water or dust penetrates into the refrigerator. Call a service agent.
- Do not store glass containers or soda in the freezer compartment. Contents may expand when frozen, break the container and cause injury.
- Do not store, disassemble or repair the appliance yourself or allow unqualified personnel to do so.
- Do not store explosive substances such as aerosol cans with a flammable propellant in this appliance.
- If the electrical supply cord is damaged, it must only be replaced by the manufacturer or its service agent or a similar qualified person in order to avoid a hazard.

## Disposal

- Risk of child entrapment. Junked or abandoned refrigerators are dangerous, even if they are sitting for only a few days. When disposing of the refrigerator, remove the packing materials from the door or take off the doors but leave the shelves in place so that children may not easily climb inside.
- If disposing of a refrigerator, make sure the refrigerant and insulation foam are removed for proper disposal by a qualified servicer. If you release the refrigerant or throw away the insulation foam, you may be fined or imprisoned in accordance with the relevant environmental law. Insulation foam contains flammable blowing gas.
- When discarding the appliance, remove the door gasket while leaving the shelves and bins in place, and keep children away from the appliance.

## Grounding Instructions

- Improper connection of the equipment-grounding conductor can result in a risk of electric shock. Check with a qualified electrician or service personnel if you are in doubt whether the appliance is properly grounded. Do not modify the plug provided with the appliance; if it will not fit the outlet, have a proper outlet installed by a qualified electrician.
- Have a certified electrician check the wall outlet and wiring for proper grounding.

## 6 IMPORTANT SAFETY INSTRUCTIONS

### Risk of Fire and Flammable Materials



This symbol alerts you to flammable materials that can ignite and cause a fire if you do not take care.

This appliance contains a small amount of isobutane refrigerant (R600a), which is combustible. When transporting and installing the appliance, care should be taken to ensure that no parts of the refrigerating circuit are damaged. Refrigerant squirting out of the pipes could ignite or cause an eye injury. If a leak is detected, avoid any naked flames or potential sources of ignition and air out the room in which the appliance is standing for several minutes.

In order to avoid the creation of a flammable gas air mixture if a leak in the refrigerating circuit occurs, the size of the room in which the appliance may be sited depends on the amount of refrigerant used. The room must be 10.8 square feet (1 square meter) in size for every 8g of R600a refrigerant inside the appliance. The amount of refrigerant in your particular appliance is shown on the identification plate inside the appliance. Never start up an appliance showing any signs of damage. If in doubt, consult your dealer.

### CAUTION

#### CAUTION

- To reduce the risk of minor or moderate injury to persons, malfunction, or damage to the product or property when using this product, follow basic precautions, including the following:

#### Installation

- Do not install the refrigerator where there may be a danger of the unit falling.
- The refrigerator must be properly installed in accordance with the Installation Instructions.

#### Operation

- Do not use aerosols near the refrigerator.
- This appliance is intended to be used only in domestic and similar applications.
- Do not strike or apply excessive force to any glass surface. Do not touch glass surfaces if they are cracked or broken.
- Do not overfill or pack items too tightly into door bins. Doing so may cause damage to the bin or personal injury if items are removed with excessive force.
- Do not overfill the appliance with food. Doing so may cause personal injury or property damage.

#### Maintenance

- Do not use strong detergents like wax or thinners for cleaning. Clean with a soft cloth.
- Remove foreign objects (such as dust and water) off the prongs of the power plug and contact areas. Do not use a wet or damp cloth when cleaning the plug.
- Do not spray water directly on the inside or outside of the appliance.
- Do not clean glass shelves or covers with warm water when they are cold. They may break if exposed to sudden temperature changes.

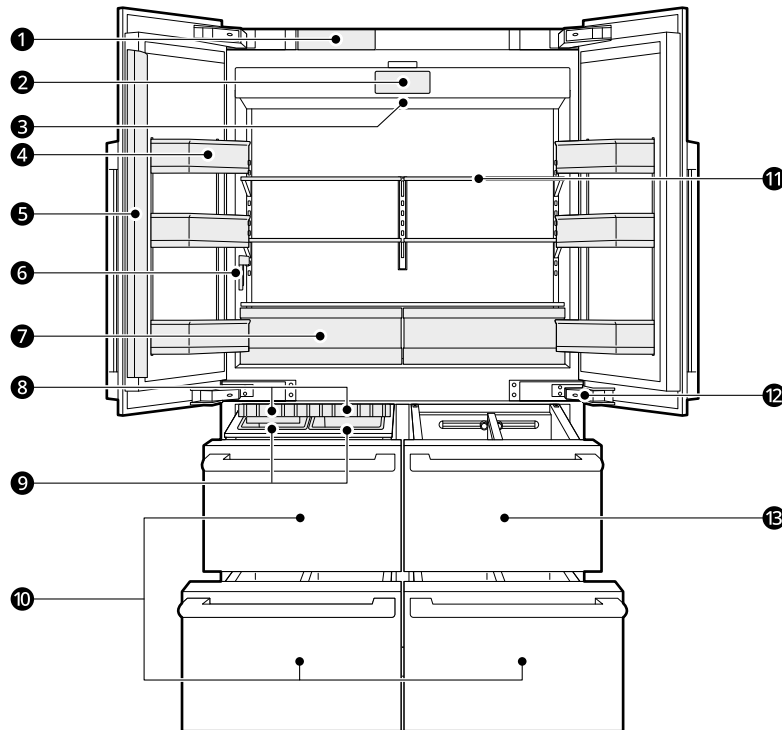
## SAVE THESE INSTRUCTIONS

# PRODUCT OVERVIEW

## Product Features

The images in this guide may be different from the actual components and accessories, which are subject to change by the manufacturer without prior notice for product improvement purposes.

### Interior



- 1 Water filter**  
Purifies water.

#### NOTE

- The water filter should be replaced every 6 months.
- See the **Replacing the Water Filter** section in this manual for details.

- 2 Control Panel**  
Sets the refrigerator and freezer temperatures or other functions.
- 3 LED Interior Lighting**  
Lights up the inside of the refrigerator.
- 4 Movable Door Bin**  
Stores chilled food or drinks.
- 5 Door Mullion**  
Prevents the cold air in the refrigerator from escaping when the doors are closed.

## 8 PRODUCT OVERVIEW

### **⚠ CAUTION**

- To reduce the risk of scratching the door or breaking the center door mullion, make sure that the folding door mullion is folded in before closing the left-hand door.
- The door alarm will sound every 30 seconds if the door remains open longer than one minute.

### **6 Water Dispenser**

Dispenses purified water.

### **7 Crisper**

Helps vegetables and fruit to stay crisp.

### **8 Automatic Icemaker (Freezer)**

Dispenses ice automatically into the ice bin.

### **9 Ice Bin**

Stores ice from the freezer icemaker.

### **10 Freezer Drawer**

Frozen food compartment.

### **11 Adjustable Refrigerator Shelf**

The refrigerator shelves are adjustable to meet individual storage needs.

### **12 Auto-Closing Hinge**

The refrigerator doors and freezer drawers close automatically when pushed slightly. (The door only closes automatically when it is open at an angle of less than 30°.)

### **13 Convertible Drawer**

Variable temperature storage that can be set either colder or warmer than the refrigerator.

### **⚠ CAUTION**

- The door alarm will sound every 30 seconds if the door remains open longer than one minute.

## Product Specifications

The appearance and specifications listed in this manual may vary due to constant product improvements.

**Electrical requirements:** 115 V, 60 Hz

**Min. / Max. water pressure:** 20 - 120 psi (138 - 827 kPa)

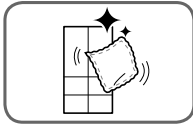
Model	Description	Net weight
SKSFD4826P	Built-in, Refrigerator	668 lb (303 kg)
SKSFD4826SP	Built-in, Refrigerator	772 lb (350 kg)
SKSFD4826MT	Built-in, Refrigerator	771 lb (349.8 kg)



# OPERATION

## Before Use

### Checklist

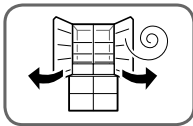


#### Clean the refrigerator.

Clean the refrigerator thoroughly and wipe off all dust that accumulated during shipping.

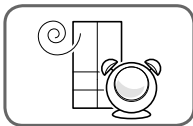
#### CAUTION

- Do not scratch the refrigerator with a sharp object or use a detergent that contains alcohol, a flammable liquid or an abrasive when removing any tape or adhesive from the refrigerator. Remove adhesive residue by wiping it off with your thumb or dish detergent.
- Do not peel off the model or serial number label or the technical information on the rear surface of the refrigerator.



#### Open refrigerator doors and freezer drawers to ventilate the interior.

The inside of the refrigerator may smell like plastic at first. Remove any adhesive tape from inside the refrigerator and open the refrigerator doors and the freezer drawers for ventilation.

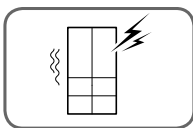


#### Wait for the refrigerator to cool.

Allow the refrigerator to run for at least two to three hours before putting food in it. Check the flow of cold air in the freezer compartment to ensure proper cooling.

#### CAUTION

- Putting food in the refrigerator before it has cooled could cause the food to spoil, or a bad odor to remain inside the refrigerator.



#### The refrigerator makes a loud noise after initial operation.

This is normal. The volume will decrease as the temperature decreases.

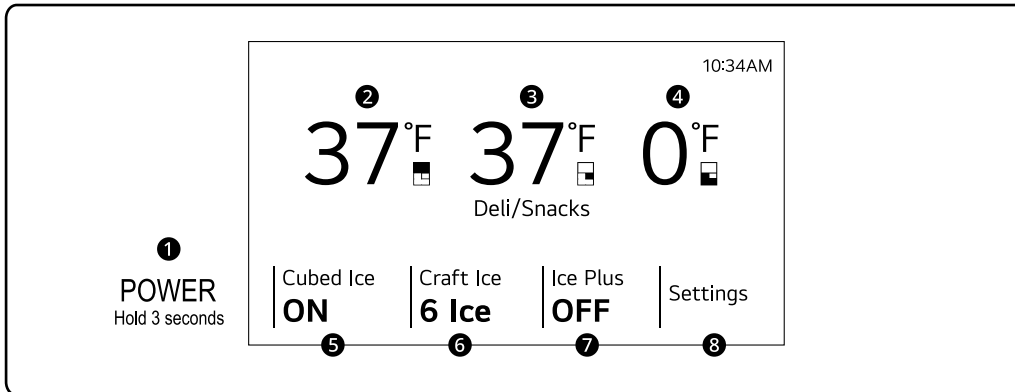
## 10 OPERATION

### Control Panel

Depending on the model, some of the following functions may not be available.

The actual control panel may differ from model to model.

#### Control Panel Features



#### 1 POWER

The **POWER** button turns off all electrical power to the unit.

Press and hold the **POWER** button for 3 seconds to turn off the power. When the power is off, the display is off. There is no need to turn off power at the circuit breaker or wall receptacle. Use this function for service or extended vacations.

#### 2 Refrigerator Temperature

Indicates the set temperature of the refrigerator compartment in Celsius (°C) or Fahrenheit (°F). The default refrigerator temperature is 37 °F (3 °C). Press the temperature and then press **▲** / **▼** to select a new set temperature from 33 °F to 43 °F (1 °C to 7 °C).

#### 3 Convertible Drawer Temperature

Variable temperature storage that can be set either colder or warmer than the refrigerator. Store meat and seafood at 30 °F (-1 °C), cold drinks at 33 °F (1 °C), deli snacks at 37 °F (3 °C), or chilled wine at 41 °F (5 °C).

To use the convertible drawer as a freezer, press **▼** repeatedly to select **Freezer**. For example, if the freezer is set to 0 °F (-18 °C), then 0 °F (-18 °C) automatically appears in the display.

Once the convertible drawer is set to freezer mode, its temperature matches the freezer temperature. Changing the freezer temperature automatically changes the drawer temperature.

#### 4 Freezer Temperature

Indicates the set temperature of the freezer compartment in Celsius (°C) or Fahrenheit (°F). The default freezer temperature is 0 °F (-18 °C). Press the temperature and then press **▲** / **▼** to select a new set temperature from -7 °F to 5 °F (-23 °C to -15 °C).

#### NOTE

- To change the temperature mode from °F to °C (or vice versa), press **Settings** and then press **Temperature Unit**.
- The displayed temperature is the target temperature, and not the actual temperature of the refrigerator. The actual refrigerator temperature depends on the food inside the refrigerator.

#### 5 Cubed Ice

Press **ON** or **OFF** under **Cubed Ice** to turn the **Cubed Ice** icemaker on/off.

### 6 Craft Ice

Press **Craft Ice** to select between the **3 Ice**, **6 Ice** and **Off** modes.

- To turn off the **Craft Ice** icemaker, select the **Off** mode.
- To turn on the **Craft Ice** icemaker, select the **3 Ice** or **6 Ice** mode.

### NOTE

- For more ice, select the **6 Ice** mode. For clearer ice, select the **3 Ice** mode.

### 7 Ice Plus

This function increases both ice making and freezing capabilities.

- Press **OFF** under **Ice Plus** to turn on the **Ice Plus** mode and activate the function for 24 hours. The function automatically shuts off after 24 hours.
- Stop the function manually by pressing **ON** under **Ice Plus**.

### 8 Settings

Adjust settings after the initial setup.

- List of Settings

**Water Filter, Wi-Fi, Control Lock, Temperature Unit, Date, Time, Clock Theme, Brightness, Smart Grid, Sabbath, Smart Diagnosis, Service Call**

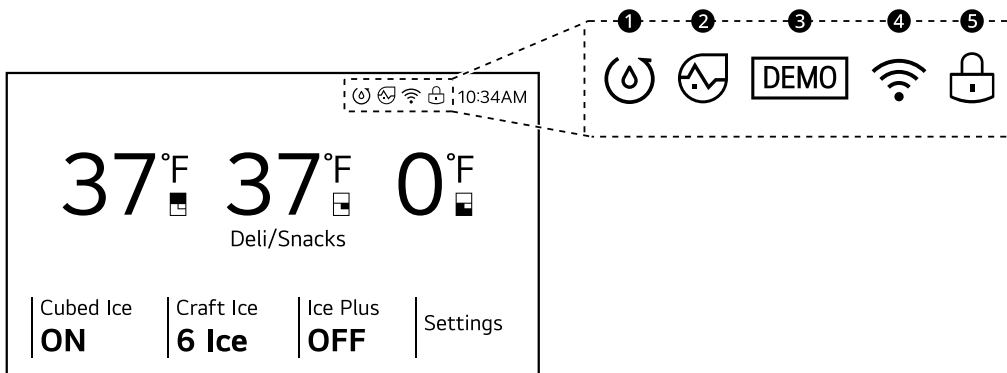
### NOTE


#### Demo Mode (For Store Use Only)

- The **Demo Mode** disables all cooling in the refrigerator and freezer sections to conserve energy while on display in a retail store.
  - To deactivate/activate:  
Press **Settings** and then press **Brightness**. Tap the upper right corner of the screen 15 times. Then "**Demo mode is off**" pops up and the Demo Mode icon disappears on the right top of the screen. Use the same procedure to activate Demo Mode.





### Display Icons

Icons appear in display when activated.



	<p><b>1 Water filter</b> Appears when water filter need to be replaced</p>
---	--

## 12 OPERATION

 Grid	<p><b>2 Smart Grid</b></p> <ul style="list-style-type: none"> <li>• Appears when Smart Grid function is on</li> <li>• Appears when the refrigerator is responding to a Demand Response (DR) message from the electric company</li> </ul>
	<p><b>3 Demo Mode (For Store Use Only)</b>                  Appears when Demo Mode is on</p>
	<p><b>4 Wi-Fi</b>                  Appears when the refrigerator is connected to Wi-Fi</p>
	<p><b>5 Screen Lock</b>                  Appears when Screen Lock is on</p>

### Getting Started

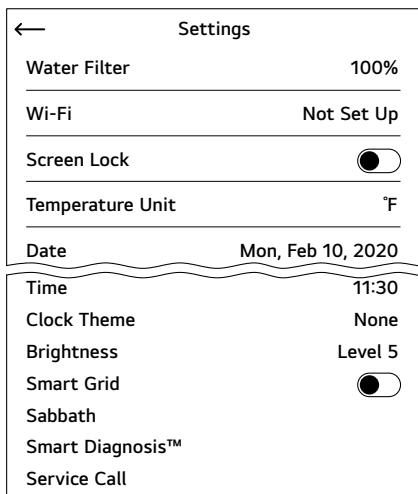
After turning on the refrigerator for the first time, adjust the settings to suit your preferences.

- 1 Set the date. Then press **NEXT**.
- 2 Set the time. Then press **NEXT**.
- 3 Select the clock theme. Then press **NEXT**.
- 4 The main screen appears in the display.

### Settings

To adjust settings after the initial setup, press **Settings** at the right bottom of the main screen.

Swipe the screen to navigate through the Settings screens.



### Water Filter

The remaining filter life will be displayed as a percentage from 100% to 0%. Reset the filter life after replacing the water filter.

#### Reset the Filter Life


- 1 Press **Settings** at the right bottom of the main screen. The remaining filter life appears.
- 2 To replace the water filter, refer to **Replacing the Water Filter**.
- 3 Press **RESET** after replacing the water filter.
- 4 The remaining filter life changes to 100%.

### Wi-Fi

Connect the appliance to a home Wi-Fi network to use smart functions. See the **Smart Functions** section for more details.

#### Setting Up Wi-Fi


- 1 Press **Settings** at the right bottom of the main screen and then press **Wi-Fi**.
- 2 Press **Set Up Wi-Fi**.
- 3 Follow the instructions on the display.

- 4** If Wi-Fi is connected, the Wi-Fi icon  appears at the top of the display.
- If Wi-Fi status is **Disconnected**, press **Wi-Fi** and then press **Reset Wi-Fi** and follow the instructions again.

## Screen Lock

The Screen Lock feature automatically prevents controls from being turned on.

### Lock

- 1** Press **Settings** at the right bottom of the main screen.
- 2** Turn on the toggle switch of Screen Lock.
- 3** When Screen lock is turned on, the lock icon  appears at the top of the display.

### Unlock

- 1** Press any part of screen while Screen Lock is on.
- 2** A popup screen appears. Press **Unlock** for 3 seconds.
- 3** The lock icon disappears from the top of the display.

## Temperature Unit

Set the temperature display to show either Fahrenheit or Celsius units.

The refrigerator defaults to Fahrenheit unless changed by the user.

### Setting Temperature Units

- 1** Press **Settings** at the right bottom of the main screen and then press **Temperature Unit**.
- 2** Select °F or °C.

## Date & Time

The date and time are displayed on the screen when setting the clock theme to **Time and Date**.

### Setting Date

- 1** Press **Settings** at the right bottom of the main screen and then press **Date**.
- 2** Press **^** / **v** to set the correct date.
- 3** Press back (**←**) to apply.

### Setting Time of Day

- 1** Press **Settings** at the right bottom of the main screen and then press **Time**.
- 2** Set **Time Format**, **Current Time** or **Daylight Saving Time**.
  - **Time Format**
    - Select either a 12-hour or 24-hour clock mode (12H/24H).
  - **Current Time**
    - Set the correct hour and minutes.
    - If Wi-Fi is connected, the current time is set to **Auto**.
  - **Daylight Saving Time**
    - When the function is on, one hour is added to the original time.
    - In Auto mode, **Daylight Saving Time** is activated automatically.

- 3** Press back (**←**) to apply.

## Clock Theme

The default setting is **None**. The clock shows on the main screen of the display.

- 1** Press **Settings** at the right bottom of the main screen and then press **Clock Theme**.
- 2** Select a clock theme and press **OK**.

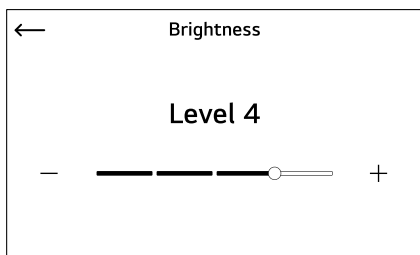
## 14 OPERATION

### Brightness

Adjust the brightness of the LCD display from Level 1 to 5.

#### Setting Display Brightness

- 1 Press **Settings** at the right bottom of the main screen and then press **Brightness**.
- 2 Adjust the display brightness by pressing and dragging the dot across the bar, by tapping anywhere on the bar, or by pressing **+** or **-**.



### Smart Grid

The Smart Grid function is only available if your electric utility company supports the function.

#### Setting Smart Grid

- 1 Press **Settings** at the right bottom of the main screen and then press **Smart Grid**.
- 2 Turn on the toggle switch of **Use Smart Grid**.

#### NOTE

- The function automatically turns on when the refrigerator is connected to the Wi-Fi network.
- When the function is on and the refrigerator receives a Demand Response (DR) signal from the utility company, **Cancel responding** is activated. To disconnect the Demand Response (DR) signal, press **Cancel responding**.

### Smart Diagnosis™

Smart Diagnosis™ can be used to diagnose issues with the product based on your usage patterns.

Smart Diagnosis™ can be run through a smartphone application or by calling for support.

### Use Smart Diagnosis

- 1 Press **Settings** at the right bottom of the main screen and then press **Smart Diagnosis**.
- 2 Press **START**.

### Service Call

**Service Call** provides warranty service and additional information.

Press **Settings** at the right bottom of the main screen and then press **Service Call**.

### Sabbath Mode

This feature is only available on some models.

#### Using the Sabbath Mode

Sabbath mode is used on the Jewish Sabbath and Holidays.

- To turn Sabbath mode on, press **Settings** and then press **Sabbath**. Press **START**.
- To turn Sabbath mode off manually, press any part of screen and press **OK**.

#### NOTE

- Sabbath mode automatically turns off after 96 hours.
- Once turned on, Sabbath mode is maintained even after a power outage.
- Selecting Sabbath mode automatically turns off the light and alarm functions.
- The dispenser and icemaker are disabled in Sabbath mode, on applicable models.

### Water Dispenser

#### ⚠ WARNING

- Connect to a potable water supply only.

#### Before Using the Water Dispenser

#### ⚠ CAUTION

- Keep children away from the dispenser. Children may play with or damage the controls.

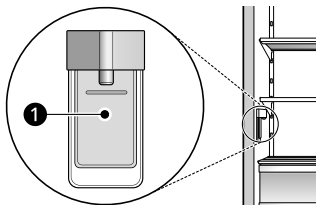
- If water dispenses unexpectedly, turn off the water supply and contact a SIGNATURE KITCHEN SUITE Customer Information Center.
- After installation, dispense 2.5 gallons of water (flush for approximately 5 minutes) to remove trapped air and contaminants from the system.
- Never use a glass that is exceptionally narrow or deep.
- Do not hang on to or place heavy objects on the refrigerator's dispenser.

**NOTE**

- The first water dispensed may include particles or odor from the water supply line or the water tank. This is also necessary if the refrigerator has not been used for a long time.
- Some dripping may occur after dispensing. Hold the cup beneath the dispenser for a few seconds after dispensing to catch all of the drops.
- Keep containers at an appropriate distance from the dispenser. A container with a very small opening should be held as close to the dispenser as possible to avoid spilling.

**Using the Water Dispenser**

Press the dispenser paddle ① with a glass or other container to dispense water.

**Automatic Icemaker****WARNING**

- DO NOT place fingers in the automatic icemaker when the refrigerator is plugged in.
- Avoid contact with any moving parts of the ejector mechanism or with the heater that releases the ice cubes.
- Connect to a potable water supply only.

**Before Using the Freezer Icemaker****CAUTION**

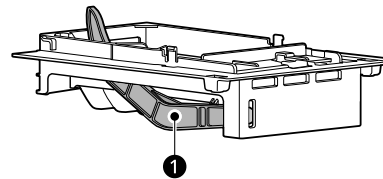
- Keep hands and tools out of the ice compartment. Failure to do so may result in damage or personal injury.
- Throw away the first few batches of ice after installation. This is also necessary if the freezer has not been used for a long time.
- Never store beverage cans or other items in the ice bin for the purpose of rapid cooling. Doing so may damage the icemaker or the containers may burst.

**NOTE**

- The icemaker begins producing ice approximately 12 hours after the appliance is initially installed.
- Throw away the first few batches of ice after installation.
- The sound of ice dropping into the ice bin is normal.
- If the ice bin is completely filled with ice, ice production will stop.
- The amount and shape of ice may vary according to the environment (ambient temperature around the appliance, frequency of the door being opened, amount of food stored in the appliance, water pressure, etc.).
- In the event of a power outage, throw away the ice stored in the ice bin.

**Freezer Icemaker (Cubed Ice)**

This feature is only available on some models.



- ① Feeler Arm

**NOTE**

- This automatic freezer icemaker produces 12 cubes at a time, 50-110 pieces within a 24 hour period if conditions are favorable. This amount may vary according to the environment (ambient temperature around the appliance, frequency of the door being opened, amount of food stored in the appliance, etc.).

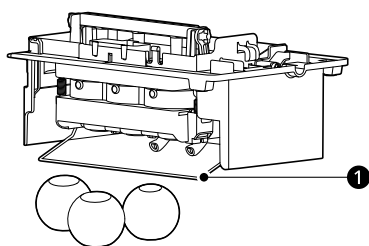
## 16 OPERATION

### NOTE

- Ice cubes which are stored in the ice bin for a long time may clump together and be difficult to separate. If this happens, empty the ice bin completely and clean it before reinstalling it.

### Freezer Icemaker (Craft Ice™)

This feature is only available on some models.



- 1 Feeler Arm

### NOTE

- The icemaker begins producing ice approximately 48 hours after the appliance is initially installed. The first batches of ice may not be round and clear.
- Following installation or water filter replacement, the first few batches of ice may be semicircular or contain air bubbles.
- If the water pressure is less than 20 psi (138 kPa) or a reverse osmosis system is used, the shape of the ice may vary.
- The ice may look cloudy depending on the water quality in the installation location and the operating conditions.
- Throw away any shards of ice you may find in the ice bin, as they may stick to the ice stored in the ice bin.
- After a short term power outage, it will take longer to make the first batch of ice, and the ice may not be round. If the power will be out for a longer period, throw away the ice stored in the ice bin.
- The **Craft Ice** icemaker produces 1 batch of round ice (3 pieces) at a time.
- In **3 Ice** mode, the **Craft Ice** icemaker produces 1 batch of round ice (3 pieces) about every 24 hours. In **6 Ice** mode, the **Craft Ice** icemaker produces 2 batches of round ice (6 pieces total) in the same period.
- For more ice, select the **6 Ice** mode. For clearer ice, select the **3 Ice** mode.

- The time needed to make ice may vary according to operating conditions.
- The ice bin stores 20 - 30 pieces of round ice.

### Turning the Icemaker On/Off

To turn the icemakers On/Off, refer to Control Panel in the Operation section.

### Normal Sounds You May Hear

- Keeping the power turned on to the icemaker before the water line is connected can damage the icemaker.
- You will hear the sound of ice dropping into the bin and water running in the pipes as the icemaker refills.
- The icemaker water valve buzzes as the icemakers fill with water. If the icemakers are turned on, they will buzz even if they have not yet been hooked up to water.

To stop the buzzing:

- Turn icemakers off by referring to Control Panel in the Operation section.

### Preparing for Vacation

Turn icemakers off and shut off the water supply to the refrigerator.

To turn the icemakers off, refer to Control Panel in the Operation section.

### NOTE

- The ice bin should be emptied any time icemakers are turned Off.

If the ambient temperature will drop below freezing, have a qualified technician drain the water supply system to prevent serious property damage due to flooding caused by ruptured water lines or connections.

### Storing Food

### NOTE

- If you are leaving home for a short period, like a short vacation, the refrigerator should be left on.
- If you are leaving the refrigerator turned off for an extended period, remove all food and unplug the power cord. Clean the interior, and leave the



doors open to prevent fungi from growing in the refrigerator.

- If doors are opened or closed too often, warm air may penetrate the refrigerator and raise its temperature. This can increase the running costs of the unit.

## Food Storage Tips

Wrap or store food in the refrigerator in airtight and moisture-proof material unless otherwise noted. This prevents food odor and taste transfer throughout the refrigerator. For dated products, check date code to ensure freshness.

### **CAUTION**

- Do not overfill or pack items too tightly into door bins. Doing so may cause damage to the bin or personal injury if items are removed with excessive force.
- Do not store glass containers in the freezer. Contents may expand when frozen, break the container and cause injury.

## How to Store Food

- Butter or Margarine
  - Keep opened butter in covered dish or closed compartment. When storing an extra supply, wrap in freezer packaging and freeze.
- Cheese
  - Store in original wrapping until used. Once opened, rewrap tightly in plastic wrap or aluminum foil.
- Milk
  - Wipe milk cartons. For coldest milk, place containers on an interior shelf.
- Eggs
  - Store in original carton on interior shelf, not in door bin.
- Fruit
  - Do not wash or hull fruit until it is ready to be used. Sort and keep fruit in original container in a crisper, or store in completely closed paper bag on refrigerator shelf.
- Leafy Vegetables
  - Remove store wrapping, trim or tear off bruised and discolored areas, wash in cold water, and drain. Place in plastic bag or plastic container and store in crisper.

- Vegetables with skins (carrots, peppers)
  - Place in plastic bags or plastic container and store in crisper.
- Fish
  - Freeze fresh fish and shellfish if they are not being eaten the same day purchased. Eating fresh fish and shellfish the same day purchased is recommended.
- Leftovers
  - Cover leftovers with plastic wrap or aluminum foil, or store in plastic containers with tight lids.

### NOTE

- If you are leaving home for a short period, like a short vacation, the refrigerator should be left on. Refrigerated foods that are able to be frozen will stay preserved longer if stored in the freezer.
- If you are leaving the refrigerator turned off for an extended period, remove all food and unplug the power cord. Clean the interior, and leave the door open to prevent fungi from growing in the refrigerator.
- Do not store food with high moisture content towards the top of the refrigerator. The moisture could come into direct contact with the cold air and freeze.
- Wash food before storing it in the refrigerator. Vegetables should be washed, and food packaging should be wiped down to prevent adjacent foods from being contaminated.
- If the refrigerator is kept in a hot and humid place, frequent opening of the door or storing a lot of vegetables in the refrigerator may cause condensation to form. Wipe off the condensation with a clean cloth or a paper towel.
- If the refrigerator door is opened or closed too often, warm air may penetrate the refrigerator and raise its temperature. This can increase the running costs of the unit.

## Storing Frozen Food

Check a freezer guide or a reliable cookbook for further information about preparing food for freezing or food storage times.

## Freezing

Your freezer will not quick-freeze a large quantity of food. Do not put more unfrozen food into the freezer than will freeze within 24 hours (no more than 2 to 3 pounds of food per cubic foot of freezer space). Leave enough space in the freezer for air to

## 18 OPERATION

circulate around packages. Be careful to leave enough room at the front so the door can close tightly.

Storage times will vary according to the quality and type of food, the type of packaging or wrap used (how airtight and moisture-proof) and the storage temperature. Ice crystals inside a sealed package are normal. This simply means that moisture in the food and air inside the package have condensed, creating ice crystals.

### NOTE

- Allow hot foods to cool at room temperature for 30 minutes, and then package and freeze. Cooling hot foods before freezing saves energy.

### Packaging

Successful freezing depends on correct packaging. When you close and seal the package, it must not allow air or moisture in or out. If it does, you could have food odor and taste transfer throughout the refrigerator and could also dry out frozen food.

#### Packaging Recommendations

- Rigid plastic containers with tight-fitting lids
- Straight-sided canning/freezing jars
- Heavy-duty aluminum foil
- Plastic-coated paper
- Non-permeable plastic wraps
- Specified freezer-grade self-sealing plastic bags

Follow package or container instructions for proper freezing methods.

#### Do not use

- Bread wrappers
- Non-polyethylene plastic containers
- Containers without tight lids
- Wax paper or wax-coated freezer wrap
- Thin, semi-permeable wrap

### Storing Food in the Convertible Drawer

Touch the temperature of the convertible drawer on the main screen and select the available temperature settings. For best results, see below.

- -7 °F to 5 °F (-23 °C to -15 °C)
  - Frozen food
- 30 °F (-1 °C)
  - Meat and seafood

- 33 °F (1 °C)
  - Cold drinks
- 37 °F (3 °C)
  - Deli snacks
- 41 °F (5 °C)
  - Wine

## Crisper Drawers

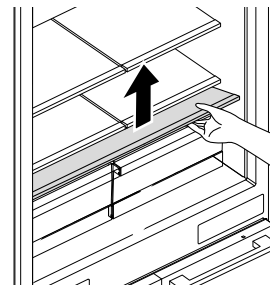
### Removing/Assembling the Crisper Drawers

For added room in the refrigerator compartment, remove the drawer supports and shelves.

#### ⚠ CAUTION

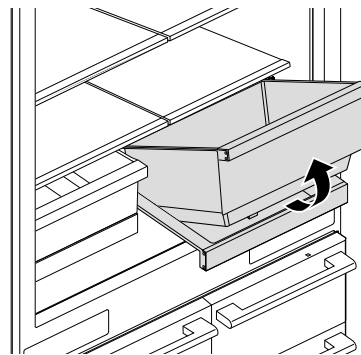
- Before assembling or disassembling the crisper drawer, open the refrigerator door wider than 90 degrees, or the inside of the door could be damaged.

- 1 Lift up the glass at the front and pull the cover out.

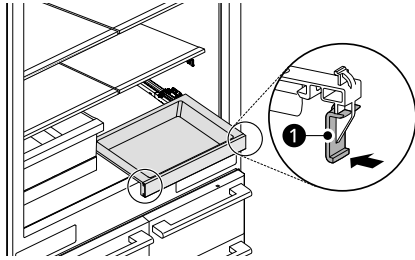


- 2 Pull the crisper drawer out until it stops.

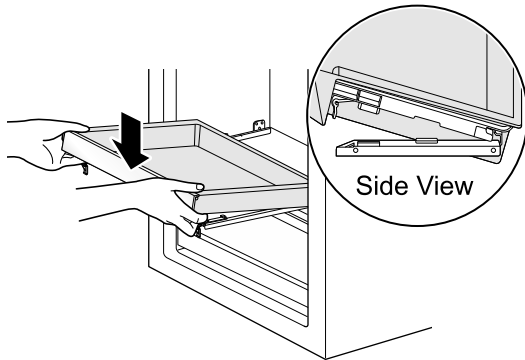
- 3 Lift the front of the drawer to remove it.



- 4 Remove the crisper drawer.
- 5 Pull the drawer frame out until it stops.
- 6 Press the release levers ❶ on either side of the drawer frame and pull out the drawer frame.



- 7 To assemble, extend the rails for the drawer frame until they stop.
- 8 Align the edges under the drawer base with the grooves on each rail, then lower the drawer base until it clicks into place.



- 9 With the front slightly tilted up, insert the crisper drawer and cover into the frame and push them back into place.

### ⚠ CAUTION

- Make sure that the crisper is level from one side to the other. Failure to do so may result in the crisper falling or spilled food.
- Do not clean the crisper glass with warm water while it is cold. The crisper may break if exposed to sudden temperature changes or impact.
- The crisper is heavy. Use special care when removing it.

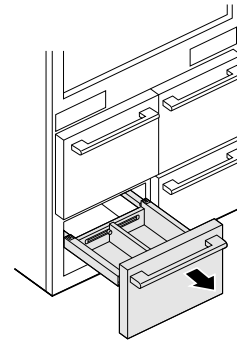
## Freezer Drawers

### Removing/Assembling the Freezer Drawers and Convertible Drawer

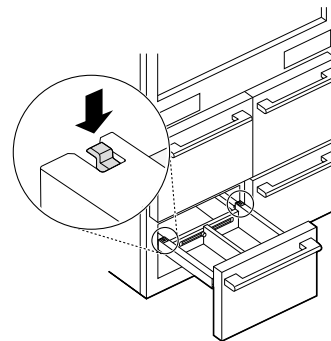
#### ⚠ WARNING

- Use two or more people to remove and install the drawer.
- Be careful of sharp hinges on both sides of the drawer.
- When you lay the drawer down, be careful not to damage the floor.
- Do not sit or stand on the drawer.
- To prevent accidents, keep children and pets away from the drawer. Do not leave the drawer open.

- 1 To remove, pull a drawer open to full extension.

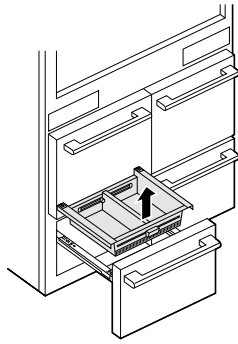


- 2 Push the button to disengage the stopper on either side.

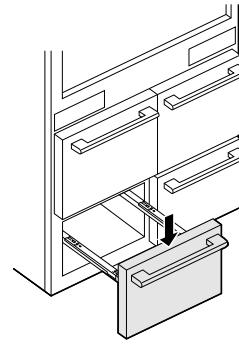


- 3 Lift the front of the basket up, then pull it straight out.

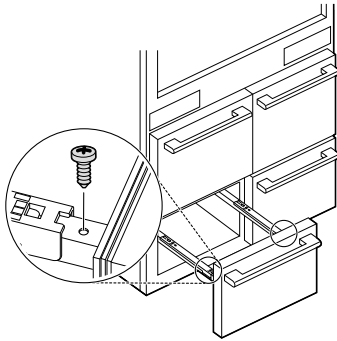
## 20 OPERATION



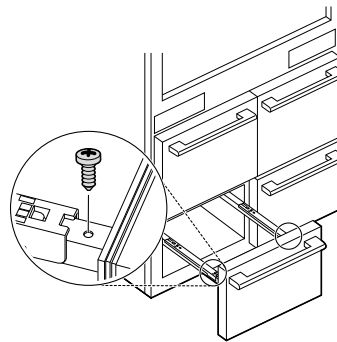
**4** Remove the screws from the rails at the front.



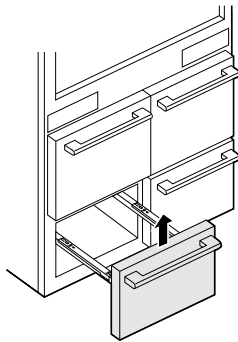
**8** Lower the door into its final position and insert the screws in the rails on both sides.



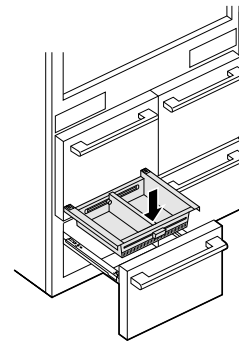
**5** Grip both sides of the drawer and pull it up to remove it from the rails.



**9** Insert the basket into the frame.

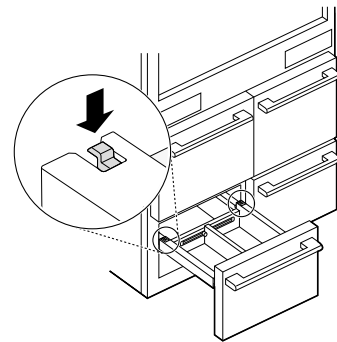


**6** To assemble, pull out both rails simultaneously, until they are fully extended.



**7** Grasp the drawer on each side and hook the drawer supports into the rail tabs located on both sides.

**10** Push the button to engage the stopper on either side.



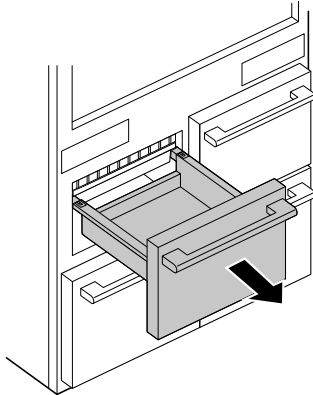
### **CAUTION**

- Do not hold the handle when removing or replacing the drawer. The handle may come off, causing personal injury.

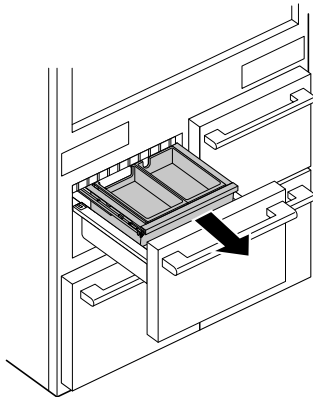
## Removing/Assembling the Ice Bin Drawer

For added room in the freezer drawer, remove the ice bin drawer.

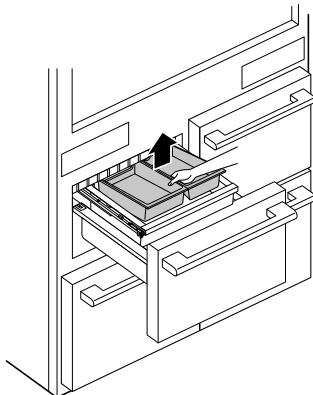
- 1 Pull the upper left freezer drawer open to full extension.



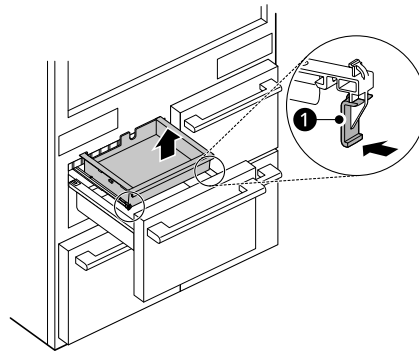
- 2 Pull the ice bin drawer out to full extension.



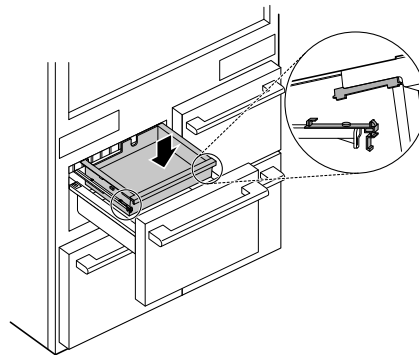
- 3 Gently lift and pull out the ice bins.



- 4 Press the release levers ① on either side of the rail and pull out the ice bin drawer.



- 5 To assemble, pull out both rails simultaneously, until they are fully extended.
- 6 Grasp the ice bin drawer on each side and hook the drawer supports into the rail tabs located on both sides.
- 7 Lower the ice bin drawer into its final position.



- 8 Replace the ice bins in the drawer.

### NOTE

- Use care if you remove the ice bins while the lower drawer is open. Ice can overflow the bins and drop behind the lower freezer drawer, preventing the drawer from fully closing. To remove ice from behind the lower drawer, disassemble the ice bins and drawer.

## 22 OPERATION

### Shelves

#### Detaching/Assembling the Shelf

The shelves in the refrigerator are adjustable to meet individual storage needs.

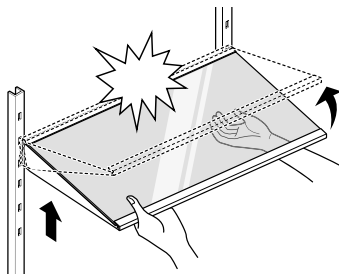
Adjusting the shelves to fit items of different heights will make finding the exact item you want easier.

#### ⚠ CAUTION

- Make sure that shelves are level from one side to the other. Failure to do so may result in the shelf falling or spilled food.
- Do not clean glass shelves with warm water while they are cold. Shelves may break if exposed to sudden temperature changes or impact.
- Glass shelves are heavy. Use special care when removing them.

**1** To detach, tilt up the front of the shelf and lift the shelf straight up.

**2** Pull the shelf out.

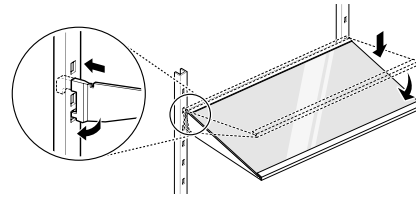


**3** To assemble, tilt the front of the shelf up slightly and guide the shelf hooks into the slots at the desired height.

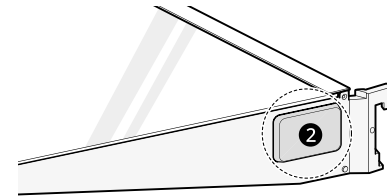
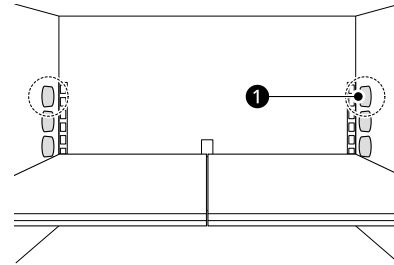
#### ⚠ CAUTION

- To avoid damage to the multi-duct, do not tilt the front of the shelf up too high when assembling or disassembling.

**4** Lower the front of the shelf so that the hooks drop into the slots.



#### NOTE



**1** Transmitter

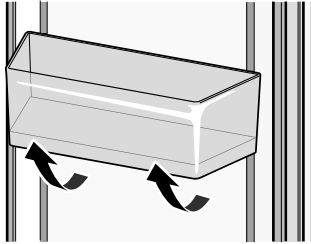
**2** Receiver

- Foreign objects and dirt between the shelf and the inner cabinet wall could prevent the shelf light from turning on.
- The shelf light turns on when the door is opened.
- The shelf light turns off after seven minutes or when the door is closed.
- Split shelves are left and right specific and are not interchangeable.

## Door Bins

### Using Door Bins

To adjust the bin position, hold the bottom of the bin at both ends and raise or lower it.

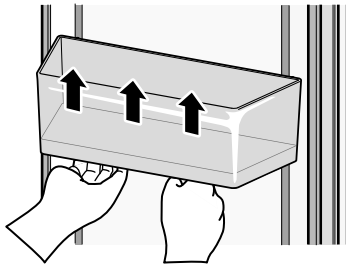


- Do not apply excessive force while detaching or assembling the storage bins.
- Do not use the dishwasher to clean the storage bins and shelves.

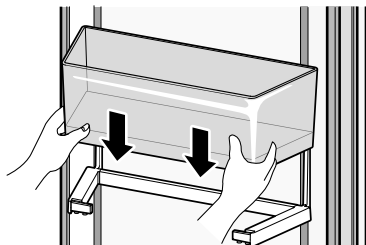
### Detaching/Assembling the Door Bins

The door bins are removable for easy cleaning and adjustment.

- 1 To detach the door bins, hold the guide so that the bin cannot move and tap the bottom of the bin 2 or 3 times.



- 2 To assemble the door bin, align both sides of the bin with the guides and push the bin down until it snaps into place.



#### **⚠ CAUTION**

- Regularly detach and wash the storage bins and shelves; they can become easily contaminated by food.

## 24 SMART FUNCTIONS

# SMART FUNCTIONS

## LG ThinQ Application

This feature is only available on models with Wi-Fi.

The **LG ThinQ** application allows you to communicate with the appliance using a smartphone.

### LG ThinQ Application Features

† This feature is only available on some models.

- **Smart Care+†**
  - Provides a more personalized experience based on an analysis of your usage patterns.
- **Smart Sabbath†**
  - Activates or deactivates the Sabbath mode and sets the schedule for the mode activation.
- **Energy Monitoring†**
  - This feature keeps track of the refrigerator's power consumption and the number of door openings.
- **Remote Control†**
  - Controls the refrigerator temperature, air filter and Ice Plus from the smartphone application.
- **Push Messages†**
  - If the door remains open for more than ten minutes, you will receive a push message. When Ice Plus is finished, you will receive a push message.
- **Smart Diagnosis™**
  - This function provides useful information for diagnosing and solving issues with the appliance based on the pattern of use.
- **Settings**
  - Allows you to set various options on the refrigerator and in the application.

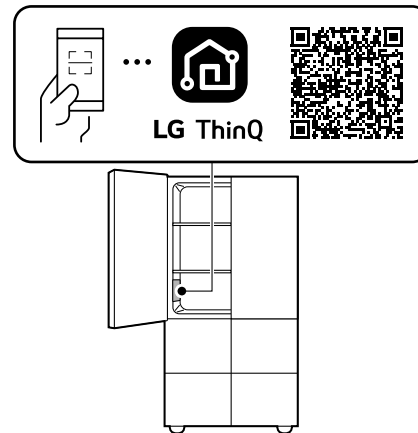
#### NOTE

- If you change your wireless router, Internet service provider, or password, delete the connected appliance from the **LG ThinQ** application and connect it again.
- This information is current at the time of publication. The application is subject to change for product improvement purposes without notice to users.

## Installing LG ThinQ Application and Connecting an LG Appliance

### Models with QR Code

Scan the QR code attached to the product using the camera or a QR code reader application on your smartphone.



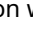
### Models without QR Code

- 1** Search for and install the **LG ThinQ** application from the Google Play Store or Apple App Store on a smartphone.
- 2** Run the **LG ThinQ** application and sign in with your existing account or create an LG account to sign in.
- 3** Touch the add (+) button on the **LG ThinQ** application to connect your LG appliance. Follow the instructions in the application to complete the process.

#### NOTE

- To verify the Wi-Fi connection, check that the Wi-Fi indicator on the control panel is lit.
- The appliance supports 2.4 GHz Wi-Fi networks only. To check your network frequency, contact your Internet service provider or refer to your wireless router manual.
- **LG ThinQ** is not responsible for any network connection problems or any faults, malfunctions, or errors caused by network connection.



- The surrounding wireless environment can make the wireless network service run slowly.
- If the distance between the appliance and the wireless router is too far, the signal becomes weak. It may take a long time to connect or fail to install the application.
- If the appliance is having trouble connecting to the Wi-Fi network, it may be too far from the router. Purchase a Wi-Fi repeater (range extender) to improve the Wi-Fi signal strength.
- The network connection may not work properly depending on the Internet service provider.
- The Wi-Fi may not connect or the connection may be interrupted because of the home network environment.
- If the appliance cannot be connected due to problems with the wireless signal transmission, unplug the appliance and wait about a minute before trying again.
- If the firewall on your wireless router is enabled, disable the firewall or add an exception to it.
- The wireless network name (SSID) should be a combination of English letters and numbers. (Do not use special characters.)
- Smartphone user interface (UI) may vary depending on the mobile operating system (OS) and the manufacturer.
- If the security protocol of the router is set to **WEP**, network setup may fail. Change the security protocol (**WPA2** is recommended), and connect the product again.
- To disable the Wi-Fi function, turn off the toggle switch for **Use Wi-Fi**. The  icon will be turned off.
- To reconnect the appliance or add another user, press **Settings** at the right bottom of the main screen and then press **Reset Wi-Fi**. Run the **LG ThinQ** application and follow the instructions in the application to connect the appliance.

pursuant to part 15 of the FCC Rules for transmitter module and part 18 of the FCC Rules for this equipment. These limits are designed to provide reasonable protection against harmful interference in a residential installation. This equipment generates, uses and can radiate radio frequency energy and, if not installed and used in accordance with the instructions, may cause harmful interference to radio communications.

However, there is no guarantee that interference will not occur in a particular installation. If this equipment does cause harmful interference to radio or television reception, which can be determined by turning the equipment off and on, the user is encouraged to try to correct the interference by one or more of the following measures:

- Reorient or relocate the receiving antenna.
- Increase the separation between the equipment and receiver.
- Connect the equipment into an outlet on a circuit different from that to which the receiver is connected.
- Consult the dealer or an experienced radio/TV technician for help.

This device (transmitter module contained in this product) complies with part 15 of the FCC Rules. Operation is subject to the following two conditions:

(1) This device may not cause harmful interference and

(2) This device must accept any interference received, including interference that may cause undesired operation.

Any changes or modifications in construction of this device which are not expressly approved by the party responsible for compliance could void the user's authority to operate the equipment.

### Radio Equipment Specifications

Type	Frequency Range	Output Power (Max.)
Wi-Fi	2412 - 2462 MHz	< 30 dBm
Bluetooth	2402 - 2480 MHz	< 30 dBm

### FCC RF Radiation Exposure Statement

This equipment complies with FCC radiation exposure limits set forth for an uncontrolled environment. This transmitter must not be co-located or operating in conjunction with any other antenna or transmitter.

This equipment should be installed and operated with a minimum distance of 20 cm (7.8 inches) between the antenna and your body. Users must follow the specific operating instructions for satisfying RF exposure compliance.

### FCC Statement

This equipment has been tested and found to comply with the limits for a Class B digital device,

## 26 SMART FUNCTIONS

### Industry Canada Statement

This device contains licence-exempt transmitter(s)/ receiver(s) that comply with Innovation, Science and Economic Development Canada's licence-exempt RSS(s). Operation is subject to the following two conditions:

- (1) This device may not cause interference.
- (2) This device must accept any interference, including interference that may cause undesired operation of the device.

### IC Radiation Exposure Statement

This equipment complies with IC radiation exposure limits set forth for an uncontrolled environment.

This equipment should be installed and operated with a minimum distance of 20 cm (7.8 inches) between the antenna and your body.

#### NOTE

- THE MANUFACTURER IS NOT RESPONSIBLE FOR ANY RADIO OR TV INTERFERENCE CAUSED BY UNAUTHORIZED MODIFICATIONS TO THIS EQUIPMENT. SUCH MODIFICATIONS COULD VOID THE USER'S AUTHORITY TO OPERATE THE EQUIPMENT.

### Open Source Software Notice Information

To obtain the source code that is contained in this product, under GPL, LGPL, MPL, and other open source licenses that have the obligation to disclose source code, and to access all referred license terms, copyright notices and other relevant documents, please visit <https://opensource.lge.com>.

SIGNATURE KITCHEN SUITE will also provide open source code to you on CD-ROM for a charge covering the cost of performing such distribution (such as the cost of media, shipping, and handling) upon email request to [opensource@lge.com](mailto:opensource@lge.com).

This offer is valid to anyone in receipt of this information for a period of three years after our last shipment of this product.

### Smart Grid Function

When the refrigerator operates in Smart Grid mode, the Smart Refrigerator function can control energy usage or delay the operation of some

functions to save energy during peak usage periods.

- You can override the Smart Grid function at any time (using the **Smart Grid** button or application).
- To use the Smart Grid function, you need to register your appliance with your electric utility company, provided that your electric utility company supports the function. In other words, the Smart Grid function will not be available if your electric utility company does not support the function or does not have the capability to support the function.

### Smart Grid Application Features

- Smart Saving\_Demand Response
  - You can lower energy usage based on Demand Response (DR) signals from the utility company. If the refrigerator is operating in Smart Saving mode according to the DR signal, you can see a pop up.
- Seasonal Energy Savings
  - Lower energy usage based on time period.

### Using the Smart Grid Function

This feature responds to notification events from your utility company to run high energy consuming tasks during off-peak periods when demand is lower. These notification events are known as Demand Response signals.

If the refrigerator receives a Demand Response signal from the utility company, the refrigerator will turn on the Grid LED on the refrigerator display and control its power consumption according to the signal. The refrigerator will respond to the signals received from the utility company as long as product performance is maintained.

If the refrigerator receives a Demand Response signal, the refrigerator will operate in Delay Appliance Load (DAL) or Temporary Appliance Load Reduction (TALR) mode.

### Delay Appliance Load (DAL)

The refrigerator responds to a DAL signal by providing a moderate load reduction for the duration of the delay period.

This mode controls functions that consume a lot of energy such as adjusting the cooling system, running the defrost cycle, and making ice.

- When the refrigerator operates in DAL mode, the Grid LED is illuminated on the refrigerator display.

- DAL mode is automatically deactivated after the period stipulated by the DAL signal (max. 4 hours) or when you override the Smart Grid function.

### Temporary Appliance Load Reduction (TALR)

The refrigerator responds to a TALR signal by aggressively reducing the load for a short time period, typically 10 minutes. This mode reduces energy consumption by stopping the compressor and controlling the functions that consume a lot of energy such as the defrost cycle and fan.

- When the refrigerator operates in TALR mode, the Grid LED is illuminated on the refrigerator display.
- TALR mode is automatically deactivated after the received duration (max. 10 minutes), or when you override the Smart Grid function. The mode is immediately deactivated and the refrigerator returns to its normal state if the door is opened or closed, or the dispenser is used.

### Override Smart Grid Mode

To ignore the Demand Response signal from the utility company and override the Smart Grid function, push the Smart Grid button while the refrigerator is in Smart Grid mode.

When you override the Smart Grid function, the refrigerator ignores the Demand Response signal and is no longer controlled by the utility company until the next Demand Response signal is sent. You can also override the Smart Grid function using the smart phone app.

### SIGNATURE KITCHEN SUITE Open API

You can manage Smart Grid features for the **SIGNATURE KITCHEN SUITE** Smart Refrigerator.

Please check the detailed specifications on the notice page on [signaturekitchensuite.com](http://signaturekitchensuite.com).

### API List

- Demand Response
  - Send demand response signal
- Power Saving
  - Set saving mode
  - Get schedule of DR/Delay Defrost
- Energy Monitoring
  - Get door open event
  - Get energy consumption
- Delay Defrost Capability
  - Insert a delay defrost schedule event

- Update a delay defrost schedule event
- Delete a delay defrost schedule event
- Get the delay defrost schedule

## Smart Diagnosis™ Feature

This feature is only available on some models.

Use this feature to help you diagnose and solve problems with your appliance.

### NOTE

- For reasons not attributable to LGE's negligence, the service may not operate due to external factors such as, but not limited to, Wi-Fi unavailability, Wi-Fi disconnection, local app store policy, or app unavailability.
- The feature may be subject to change without prior notice and may have a different form depending on where you are located.

### Using LG ThinQ to Diagnose Issues

If you experience a problem with your Wi-Fi equipped appliance, it can transmit troubleshooting data to a smartphone using the **LG ThinQ** application.

- Launch the **LG ThinQ** application and select the **Smart Diagnosis** feature in the menu. Follow the instructions provided in the **LG ThinQ** application.

### Using Audible Diagnosis to Diagnose Issues

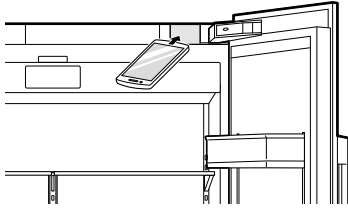
Follow the instructions below to use the audible diagnosis method.

- Launch the **LG ThinQ** application and select the **Smart Diagnosis** feature in the menu. Follow the instructions for audible diagnosis provided in the **LG ThinQ** application.

- 1 Open the refrigerator door.
- 2 Hold the mouthpiece of your phone in front of the speaker that is located next to the right upper hinge of the refrigerator door.

## 28 SMART FUNCTIONS

---



- 3** Press **Settings** at the right bottom of the main screen and then press **Smart Diagnosis**.
- 4** Press **START**.
- 5** Keep the phone in place until the tone transmission has finished. The application will count down the time. Once the countdown is over and the tones have stopped, the diagnosis will be displayed in the application.

---

### NOTE

- For best results, do not move the phone while the tones are being transmitted.
-

# MAINTENANCE

## Cleaning

### ⚠ WARNING

- Use non-flammable cleaner. Failure to do so can result in fire, explosion, or death.

### ⚠ CAUTION

- Do not use an abrasive cloth or sponge when cleaning the interior and exterior of the appliance.
- Do not place your hand on the bottom surface of the appliance when opening and closing the doors.

## General Cleaning Tips

- Both the refrigerator and freezer sections defrost automatically; however, clean both sections once a month to prevent odors.
- Wipe up spills immediately.
- Unplug the refrigerator or disconnect power before cleaning.
- Remove all removable parts, such as shelves.
- Use a clean sponge or soft cloth and a mild detergent in warm water. Do not use abrasive or harsh cleaners.
- Hand wash, rinse and dry all surfaces thoroughly.
- When cleaning the inside or outside of the appliance, do not wipe it with a rough brush, toothpaste, or flammable materials. Do not use cleaning agents containing flammable substances.
  - Doing so may cause discoloration or damage to the appliance.
  - Flammable substances: alcohol (ethanol, methanol, isopropyl alcohol, isobutyl alcohol, etc.), thinner, bleach, benzene, flammable liquids, abrasives, etc.

## Inside Walls

- Allow freezer to warm up so the cloth will not stick.

To help remove odors, wash the inside of the refrigerator with a mixture of baking soda and warm water. Mix 2 tablespoons of baking soda to 1 quart of water (26 g soda to 1 liter water). Be sure

the baking soda is completely dissolved so it does not scratch the surfaces of the refrigerator.

## Door Liners and Gaskets

Use a clean sponge or soft cloth and a mild detergent in warm water. Do not use cleaning waxes, concentrated detergents, bleaches, or cleaners containing petroleum on plastic refrigerator parts.

## Plastic Parts (Covers and Panels)

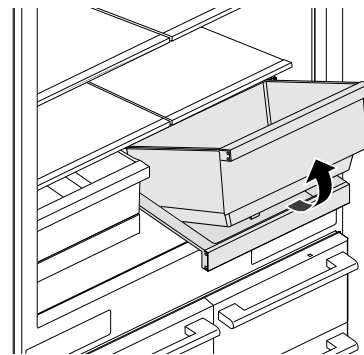
Use a clean sponge or soft cloth and a mild detergent in warm water. Do not use glass cleaners, abrasive cleansers, or flammable fluids. These can scratch or damage the material.

## Air Filter

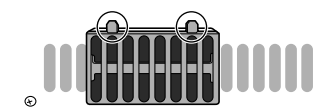
### Recycling the Air Filter

Recycle the air filter approximately every 6 months. The air filter is located on the back wall behind the right side crisper drawer.

- 1 To remove the drawer, pull out the drawer to full extension, lift the front up, and pull straight out.

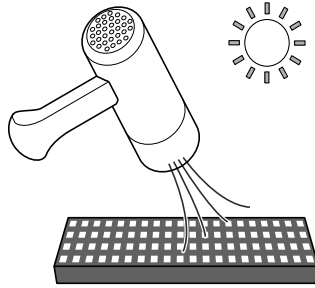


- 2 Locate the air filter on the back wall of the refrigerator and press the two hooks to release the air filter.



### 30 MAINTENANCE

- 3 Dry the air filter with a hair dryer or let it air dry in the sun.



#### NOTE

- To increase deodorization performance, the deodorant is made of natural palm wood material. So some powder may fall off. This powder is harmless to the human body and can be easily wiped off with a towel or cloth.

## Water Filter

### Before Replacing the Water Filter

#### ⚠ WARNING

- To reduce the risk associated with choking, do not allow children under 3 years of age to have access to small parts during the installation of this product.
- To reduce the risk associated with the ingestion of contaminants, do not use with water that is microbiologically unsafe or of unknown quality without adequate disinfection before or after the system.
- Use of unauthorized water filters may result in product malfunction, water leakage or water quality issues, which will not be covered under the product warranty.
- Connect to a potable water supply only.

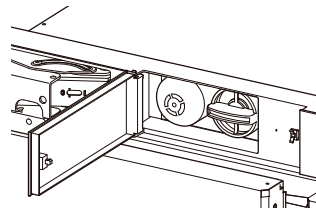
#### ⚠ CAUTION

- Read and follow Use Instructions before installation and use of this system.
- Installation and use MUST comply with all state and local plumbing codes.
- Do not install if water pressure exceeds 120 psi (827 kPa). If your water pressure exceeds 80 psi, you must install a pressure limiting valve. Contact a plumber if uncertain how to check your water pressure.

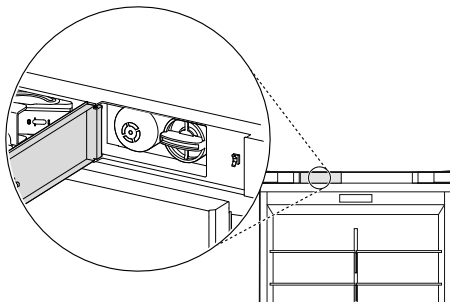
- Do not install where water hammer conditions may occur. If water hammer conditions exist you must install a water hammer arrester. Contact a plumbing professional if you are uncertain how to check for this condition.
- Do not install on hot water supply lines. The maximum operating water temperature of this filter system is 100 °F (37.8 °C).
- Protect filter from freezing. Drain filter when temperatures drop below 40 °F (4.4 °C).
- The disposable filter cartridge **MUST** be replaced every 6 months, at the rated capacity or if a noticeable reduction in flow rate occurs.
- To protect it from freezing, remove filter cartridge when temperatures are expected to drop below 33 °F.
- Do not install systems in areas where ambient temperatures may go above 110 °F (43.3 °C).
- Where a backflow prevention device is installed on a water system, a device for controlling pressure due to thermal expansion must be installed.
- Ensure all tubing and fittings are secure and free from leaks.

### Replacing the Water Filter

- Replace the water filter:
  - Approximately every six months.
  - When the  icon turns on.
  - When the icemaker output decreases.
- To purchase a replacement water filter:
  - Visit your local dealer or distributor
  - Find Parts & Accessories from Support section of [signaturekitchensuite.com](http://signaturekitchensuite.com)
  - Call 1-855-790-6655 (USA) or 1-888-289-2802 (CANADA)
  - Use replacement cartridge: **LT1000P-S (ADQ74793506)**

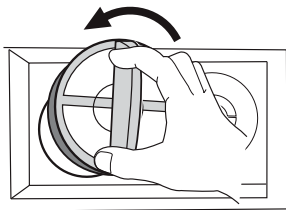
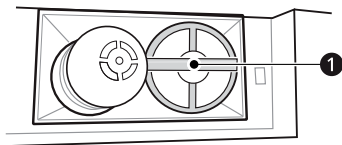


- 1 **Remove the old water filter.**  
Push to open the water filter cover at the top of the refrigerator.

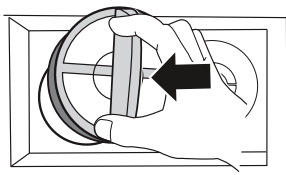
**NOTE**

- Replacing the water filter causes a small amount of water (around 1 oz. or 25 cc) to drain.
- Wrap a cloth around the front end of the water filter cover to collect any leaking water. Hold the water filter upright, once it is removed, to prevent any remaining water from spilling out of the water filter.

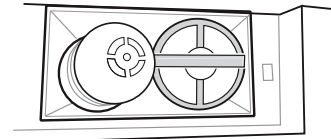
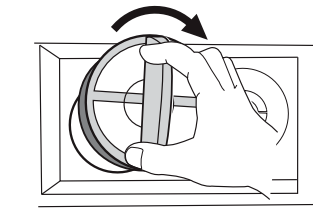
- Put the cap ❶ on the water filter, then grasp and rotate it counterclockwise to remove the water filter from the filter head.



- Replace with a new water filter.**  
Take the new water filter out of its packing and remove the protective cover from the o-rings. Put the cap on the new water filter, then push it into the manifold hole until it stops.



- Grasp and rotate cap clockwise until it stops. Replace the cap to the side of the water filter.



- After the water filter is replaced, dispense 2.5 gallons of water (flush for approximately 5 minutes) to remove trapped air and contaminants from the system.

**NOTE**

- Do not dispense the entire 2.5 gallon amount continuously. Press and release the dispenser pad for cycles of 30 seconds ON and 60 seconds OFF.

- After changing the filter, press **Settings** at the right bottom of the main screen and then press **Water Filter**. Press **RESET** to reset the filter life.

- For further assistance, call:
  - 1-855-790-6655 (USA)
  - 1-888-289-2802 (CANADA)


## 32 MAINTENANCE

### Performance Data Sheet

Model: LT1000P-S

NSF System Trade Name Code: MDJ64844601

The concentration of the indicated substances in water entering the system was reduced to a concentration less than or equal to the permissible limit for water leaving the system as specified in NSF/ANSI Standard 42, Standard 53 and Standard 401.

 System tested and certified by NSF International against NSF/ANSI Standard 42, Standard 53 and Standard 401 for the reduction of substances listed below.

Substance Reduction	Average Influent Challenge	NSF Specified Challenge Concentration	Avg % Reduction	Average Product Water Concentration	Max Permissible Product Water Concentration	NSF Reduction Requirements
Chlorine Taste and Odor	2.0 µg/L	2.0 µg/L ± 10%	>97.5%	0.050 µg/L	N/A	≥ 50.00%
Nominal Particulate Class I, ≥ 0.5 to < 1.0 µm	12,000,000 pts/ml	At least 10,000 particles/ml	99.80%	24,000 pts/ml	N/A	≥ 85.00%
Asbestos	180 MFL	10 <sup>7</sup> to 10 <sup>8</sup> MFL; fibers greater than 10 µg/Lin length	>99.00%	< 1 MFL	N/A	≥ 99.00%
Atrazine	8.5 µg/L	9.0 µg/L ± 10%	>94.10%	0.500 µg/L	3.0 µg/L	NA
Benzene	15.0 µg/L	15.0 µg/L ± 10%	>96.60%	0.510 µg/L	5.0 µg/L	NA
Carbofuran	74.0 µg/L	80.0 µg/L ± 10%	98.30%	1.258 µg/L	40 µg/L	NA
Lindane	1.9 µg/L	2.0 µg/L ± 10%	>99.00%	0.019 µg/L	0.2 µg/L	NA
P-Dichlorobenzene	230.0 µg/L	225.0 µg/L ± 10%	>99.80%	0.460 µg/L	75.0 µg/L	NA
2,4-D	210.0 µg/L	210.0 µg/L ± 10%	>99.90%	0.210 µg/L	70.0 µg/L	NA
Lead pH @6.5	140.0 µg/L	150.0 µg/L ± 10%	99.60%	0.560 µg/L	10.0 µg/L	NA
Lead pH @8.5	150.0 µg/L	150.0 µg/L ± 10%	>99.70%	<0.500 µg/L	10.0 µg/L	NA
Mercury @ pH6.5	5.9 µg/L	6.0 µg/L ± 10%	91.00%	0.531 µg/L	2.0 µg/L	NA
Mercury @ pH8.5	5.6 µg/L	6.0 µg/L ± 10%	92.5%	0.420 µg/L	2.0 µg/L	NA
Cyst*	100,000 cysts/L	Minimum 50,000 cysts/L	>99.99%	10 cysts/L	N/A	≥ 99.95%
Atenolol	240 ng/L	200 ± 40% ng/L	> 95.50%	10.80 ng/L	30 ng/L	NA
Carbamazepine	1600 ng/L	1400 ± 40% ng/L	98.40%	25.60 ng/L	200 ng/L	NA
DEET	1600 ng/L	1400 ± 40% ng/L	97.10%	46.40 ng/L	200 ng/L	NA
Trimethoprim	170 ng/L	140 ± 40% ng/L	>96.80%	5.44 ng/L	20 ng/L	NA
Linuron	160 ng/L	140 ± 40% ng/L	>96.60%	5.44 ng/L	20 ng/L	NA
Phenytoin	200 ng/L	200 ± 40% ng/L	>94.80%	10.40 ng/L	30 ng/L	NA
Ibuprofen	400 ng/L	400 ± 40% ng/L	>94.50%	22.00 ng/L	60 ng/L	NA
Naproxen	140 ng/L	140 ± 40% ng/L	>96.10%	5.46 ng/L	20 ng/L	NA
Estrone	120 ng/L	140 ± 40% ng/L	>96.10%	4.68 ng/L	20 ng/L	NA
Bisphenol A	2000 ng/L	2000 ± 40% ng/L	>98.90%	22.00 ng/L	300 ng/L	NA
Nonyl Phenol	1600 ng/L	1400 ± 40% ng/L	>97.10%	46.40 ng/L	200 ng/L	NA



\* Based on the use of *Cryptosporidium parvum* oocysts.

Guidelines for Application / Water Supply Parameters	
Service Flow	0.5 gpm (1.9 lpm)
Water Supply	Community or Private Well - Potable Water
Water Pressure	20 - 120 psi (138 - 827 kPa)
Water Temperature	33 °F - 100 °F (0.6 °C - 37.8°C)
Capacity	200 gallons (757 liters)

ENGLISH

It is essential that the manufacturer's recommended installation, maintenance and filter replacement requirements be carried out for the product to perform as advertised.

**NOTE**

- While the testing was performed under standard laboratory conditions, actual performance may vary.

For replacement filters, visit your local dealer or distributor or find a dealer on the [signaturekitchensuite.com](http://signaturekitchensuite.com) website.

For further assistance, contact the SIGNATURE KITCHEN SUITE Customer Information Center.

USA: 1-855-790-6655

Canada: 1-888-289-2802

**Replacement Cartridge: LT1000P-S or ADQ74793506**

NSF is a trademark of NSF International.

## 34 TROUBLESHOOTING

# TROUBLESHOOTING

## FAQs

### Frequently Asked Questions

**Q: What are the best temperature settings for my refrigerator and freezer?**

A: The default setting for the refrigerator is 37° Fahrenheit (3° Celsius). The default setting for the freezer is 0° Fahrenheit (-18° Celsius). Adjust these settings as necessary to keep food at desired temperatures. Milk should be cold when stored on the inner shelf of the refrigerator. Ice cream should be firm and ice cubes should not melt in the freezer.

**Q: How do I set the refrigerator and freezer temperatures?**

A: Press the temperature of the refrigerator or freezer or convertible drawer on the main screen. Press **▲ / ▼** to set the desired temperature.

**Q: Why do I hear a buzzing noise from my refrigerator periodically?**

A: This may happen if you do not have a water source attached to your freezer and the icemaker is turned on. If you do not have a water source attached to the freezer you should turn the icemaker off on the control panel.

**Q: Why does the icemaker tray look crooked?**

A: This is a normal part of the icemaker cycle. The icemaker tray may appear level or with a slight tilt. The change in position is to assist in the freezing process.

**Q: My refrigerator is powered on and the controls are working, but it's not cooling and the display shows "DEMO" (see below). What is wrong?**

A: The refrigerator is in Display Mode. The Display Mode disables all cooling to conserve energy while on display in a retail store. To restore normal operation, press **Settings** at the right bottom of the main screen and then press **Brightness**. Tap the upper right corner of the screen 15 times. Then "**Demo mode is off**" pops up and the **DEMO** icon disappears on the right top of the screen. Use the same procedure to return the refrigerator to Display Mode, if desired.

**DEMO**

## Before Calling for Service

Review this section before calling for service; doing so will save you both time and money.

### Cooling

Problem	Possible Cause & Solution
<b>Refrigerator is not cooling or has no power.</b>	<b>The refrigerator control is set to OFF (some models).</b> <ul style="list-style-type: none"> <li>Turn the control ON. Refer to the Setting the Controls section for proper temperature settings.</li> </ul>
	<b>Refrigerator is set to Display Mode.</b> <ul style="list-style-type: none"> <li>Display Mode allows the lights and control display to work normally while disabling cooling, to save energy while the refrigerator is on the showroom floor. See the FAQs section of this manual for instructions on how to disable Display Mode.</li> </ul>
	<b>Refrigerator is in the defrost cycle.</b> <ul style="list-style-type: none"> <li>During the defrost cycle, the temperature of each compartment may rise slightly. Wait 30 minutes and confirm the proper temperature has been restored once the defrost cycle has completed.</li> </ul>
	<b>Refrigerator was recently installed.</b> <ul style="list-style-type: none"> <li>It may take up to 24 hours for each compartment to reach the desired temperature.</li> </ul>
	<b>Refrigerator was recently relocated.</b> <ul style="list-style-type: none"> <li>If the refrigerator was stored for a long period of time or moved on its side, it is necessary for the refrigerator to stand upright for 24 hours before connecting it to power.</li> </ul>
<b>Cooling system runs too much.</b>	<b>Refrigerator is replacing an older model.</b> <ul style="list-style-type: none"> <li>Modern refrigerators require more operating time but use less energy due to more efficient technology.</li> </ul>
	<b>Refrigerator was recently plugged in or power restored.</b> <ul style="list-style-type: none"> <li>The refrigerator will take up to 24 hours to cool completely.</li> </ul>
	<b>The door is opened often or a large amount of food / hot food was added.</b> <ul style="list-style-type: none"> <li>Adding food and opening the door warms the refrigerator, requiring the compressor to run longer in order to cool the refrigerator back down. In order to conserve energy, try to get everything you need out of the refrigerator at once, keep food organized so it is easy to find, and close the door as soon as the food is removed. (Refer to the Food Storage Guide.)</li> </ul>
	<b>Doors are not closed completely.</b> <ul style="list-style-type: none"> <li>Firmly push the doors shut. If they will not shut all the way, see the "Doors will not close correctly or pop open" section in Troubleshooting.</li> </ul>
	<b>Refrigerator is installed in a hot location.</b> <ul style="list-style-type: none"> <li>The compressor will run longer under warm conditions. At normal room temperatures (70 °F or 21 °C) expect your compressor to run about 40 % to 80 % of the time. Under warmer conditions, expect it to run even more often. The refrigerator should not be operated above 110 °F (43 °C).</li> </ul>
<b>Interior moisture buildup.</b>	<b>Doors are opened often or for long periods of time.</b> <ul style="list-style-type: none"> <li>When the doors are opened often or for long periods of time, warm, humid air enters the compartment. This raises the temperature and moisture level within the compartment. To lessen the effect, reduce the frequency and duration of door openings.</li> </ul>
	<b>Doors are not closed correctly.</b> <ul style="list-style-type: none"> <li>See the "Doors will not close correctly or pop open" section.</li> </ul>

## 36 TROUBLESHOOTING

Problem	Possible Cause & Solution
<b>Interior moisture buildup.</b>	<b>Weather is humid.</b> <ul style="list-style-type: none"> <li>Humid weather allows additional moisture to enter the compartments when the doors are opened, leading to condensation or frost. Maintaining a reasonable level of humidity in the home will help to control the amount of moisture that can enter the compartments.</li> </ul>
	<b>Defrost cycle recently completed.</b> <ul style="list-style-type: none"> <li>During the defrost cycle, the temperature of each compartment may rise slightly and condensation may form on the back wall. Wait 30 minutes and confirm that the proper temperature has been restored once the defrost cycle has finished.</li> </ul>
	<b>Food is not packaged correctly.</b> <ul style="list-style-type: none"> <li>Food stored uncovered or unwrapped, and damp containers can lead to moisture accumulation within each compartment. Wipe all containers dry and store food in sealed packaging to prevent condensation and frost.</li> </ul>
<b>Food is freezing in the refrigerator compartment.</b>	<b>Food with high water content was placed near an air vent.</b> <ul style="list-style-type: none"> <li>Rearrange items with high water content away from air vents.</li> </ul>
	<b>Refrigerator temperature control is set incorrectly.</b> <ul style="list-style-type: none"> <li>If the temperature is too cold, adjust the control one increment at a time and wait for the temperature to stabilize. Refer to the Control Panel section for more information.</li> </ul>
	<b>Refrigerator is installed in a cold location.</b> <ul style="list-style-type: none"> <li>When the refrigerator is operated in temperatures below 41 °F (5 °C), food can freeze in the refrigerator compartment. The refrigerator should not be operated in temperatures below 55 °F (13 °C).</li> </ul>
<b>Refrigerator or Freezer section is too cold.</b>	<b>Incorrect temperature control settings.</b> <ul style="list-style-type: none"> <li>If the temperature is too cold, adjust the control one increment at a time and wait for the temperature to stabilize. Refer to the Control Panel for more information.</li> </ul>
<b>Frost or ice crystals form on frozen food (inside of sealed package).</b>	<b>Condensation from food with a high water content has frozen inside of the food package.</b> <ul style="list-style-type: none"> <li>This is normal for food items with a high water content.</li> </ul>
	<b>Food has been left in the freezer for a long period of time.</b> <ul style="list-style-type: none"> <li>Do not store food items with high water content in the freezer for a long period of time.</li> </ul>
<b>Frost or ice crystals form on frozen food (outside of package).</b>	<b>Door is opened frequently or for long periods of time.</b> <ul style="list-style-type: none"> <li>When the doors are opened often or for long periods of time, warm, humid air enters the compartment. This raises the temperature and moisture level within the compartment. Increased moisture will lead to frost and condensation. To lessen the effect, reduce the frequency and duration of door openings.</li> </ul>
	<b>Door is not closing properly.</b> <ul style="list-style-type: none"> <li>Refer to the "Doors will not close correctly or pop open" section in Troubleshooting.</li> </ul>
<b>Refrigerator or Freezer section is too warm.</b>	<b>Refrigerator was recently installed.</b> <ul style="list-style-type: none"> <li>It may take up to 24 hours for each compartment to reach the desired temperature.</li> </ul>
	<b>The air vents are blocked.</b> <ul style="list-style-type: none"> <li>Locate air vents by using your hand to sense airflow and move all packages that block vents and restrict airflow. Rearrange items to allow air to flow throughout the compartment.</li> </ul>
	<b>Doors are opened often or for long periods of time.</b> <ul style="list-style-type: none"> <li>When the doors are opened often or for long periods of time, warm, humid air enters the compartment. This raises the temperature and moisture level within the compartment. To lessen the effect, reduce the frequency and duration of door openings.</li> </ul>

Problem	Possible Cause & Solution
<b>Refrigerator or Freezer section is too warm.</b>	<b>Unit is installed in a hot location.</b> <ul style="list-style-type: none"> <li>The refrigerator should not be operated in temperatures above 110 °F (43 °C).</li> </ul>
	<b>A large amount of food or hot food was added to either compartment.</b> <ul style="list-style-type: none"> <li>Adding food warms the compartment, requiring the cooling system to run. Allowing hot food to cool to room temperature before putting it in the refrigerator will reduce this effect.</li> </ul>
	<b>Doors are not closed correctly.</b> <ul style="list-style-type: none"> <li>See the "Doors will not close correctly or pop open" section in Troubleshooting.</li> </ul>
	<b>Temperature control is not set correctly.</b> <ul style="list-style-type: none"> <li>If the temperature is too warm, adjust the control one increment at a time and wait for the temperature to stabilize.</li> </ul>
	<b>Defrost cycle has recently completed.</b> <ul style="list-style-type: none"> <li>During the defrost cycle, the temperature of each compartment may rise slightly and condensation may form on the back wall. Wait 30 minutes and confirm the proper temperature has been restored once the defrost cycle has completed.</li> </ul>

## Water

Problem	Possible Cause & Solution
<b>Water is dispensing slowly.</b>	<b>Water filter has been exhausted.</b> <ul style="list-style-type: none"> <li>Replacing the water filter is recommended:                             <ul style="list-style-type: none"> <li>Approximately every six months.</li> <li>When the water filter indicator turns on.</li> <li>When the water dispenser output decreases.</li> <li>When the ice cubes are smaller than normal.</li> </ul> </li> </ul>
	<b>Reverse osmosis filtration system is used.</b> <ul style="list-style-type: none"> <li>Reverse osmosis filtration systems can reduce the water pressure below the minimum amount and result in icemaker issues. If the problem persists, it may be necessary to contact a plumber.</li> </ul>
	<b>Low house water supply pressure.</b> <ul style="list-style-type: none"> <li>The water pressure must be between 20 and 120 psi on models without a water filter and between 40 and 120 psi on models with a water filter. If the problem persists, it may be necessary to contact a plumber.</li> </ul>
<b>Water is not dispensing.</b>	<b>New installation or water line recently connected.</b> <ul style="list-style-type: none"> <li>Dispense 2.5 gallons of water (flush for approximately 5 minutes) to remove trapped air and contaminants from the system. Do not dispense the entire 2.5 gallon amount continuously. Depress and release the dispenser pad for cycles of 30 seconds ON and 60 seconds OFF.</li> </ul>
	<b>Refrigerator or freezer doors are not closed properly.</b> <ul style="list-style-type: none"> <li>Water will not dispense if any of the refrigerator doors are left open.</li> </ul>
	<b>Water filter has been recently removed or replaced.</b> <ul style="list-style-type: none"> <li>After the water filter is replaced, dispense 2.5 gallons of water (flush for approximately five minutes) to remove trapped air and contaminants from the system. Do not dispense the entire 2.5 gallon amount continuously. Depress and release the dispenser pad for cycles of 30 seconds ON and 60 seconds OFF.</li> </ul>

### 38 TROUBLESHOOTING

Problem	Possible Cause & Solution
<b>Water is not dispensing.</b>	<b>Tubing connecting refrigerator to house supply valve is kinked.</b> <ul style="list-style-type: none"> <li>The tubing can kink when the refrigerator is moved during installation or cleaning, resulting in reduced water flow. Straighten or repair the water supply line and arrange it to prevent future kinks.</li> </ul>
	<b>The house water supply is not connected, the valve is not turned on fully, or the valve is clogged.</b> <ul style="list-style-type: none"> <li>Connect the refrigerator to the water supply and turn the water shutoff valve fully open. If the problem persists, it may be necessary to contact a plumber.</li> </ul>
<b>Dispensing warm water.</b>	<b>Refrigerator was recently installed.</b> <ul style="list-style-type: none"> <li>Allow 24 hours after installation for the water storage tank to cool completely.</li> </ul>
	<b>The water dispenser has been used recently and the storage tank was exhausted.</b> <ul style="list-style-type: none"> <li>Depending on your specific model, the water storage capacity will range from approximately 20 to 30 oz.</li> </ul>
	<b>Dispenser has not been used for several hours.</b> <ul style="list-style-type: none"> <li>If the dispenser has not been used for several hours, the first glass dispensed may be warm. Discard the first 10oz.</li> </ul>
	<b>Refrigerator is connected to the hot water supply.</b> <ul style="list-style-type: none"> <li>Make sure that the refrigerator is connected to a cold water pipe.</li> </ul> <p><b>WARNING: Connecting the refrigerator to a hot water line may damage the icemaker.</b></p>
<b>Water has bad taste or odor.</b>	<b>Water supply contains minerals such as sulfur.</b> <ul style="list-style-type: none"> <li>A water filter may need to be installed to eliminate taste and odor problems.</li> </ul>
	<b>Water filter has been exhausted.</b> <ul style="list-style-type: none"> <li>Replacing the water filter is recommended:                             <ul style="list-style-type: none"> <li>Approximately every six months.</li> <li>When the water filter indicator turns on.</li> <li>When the water dispenser output decreases.</li> <li>When the ice cubes are smaller than normal.</li> </ul> </li> </ul>
	<b>Refrigerator was recently installed.</b> <ul style="list-style-type: none"> <li>Dispense 2.5 gallons of water (flush for approximately 5 minutes) to remove trapped air and contaminants from the system. Do not dispense the entire 2.5 gallon amount continuously. Depress and release the dispenser pad for cycles of 30 seconds ON and 60 seconds OFF.</li> </ul>

### Ice

Problem	Possible Cause & Solution
<b>Icemaker is not making enough ice.</b>	<b>Demand exceeds ice production capacity.</b> <ul style="list-style-type: none"> <li>Refer to the Automatic Icemaker section for ice production capacity to check the amount of ice produced in a 24 hour period.</li> </ul>
	<b>House water supply is not connected, valve is not turned on fully, or valve is clogged.</b> <ul style="list-style-type: none"> <li>Connect the refrigerator to a cold water supply with adequate pressure and turn the water shutoff valve fully open. If the problem persists, it may be necessary to contact a plumber.</li> </ul>

Problem	Possible Cause & Solution
<p><b>Icemaker is not making enough ice.</b></p>	<p><b>Water filter has been exhausted.</b></p> <ul style="list-style-type: none"> <li>• Replacing the water filter is recommended:                             <ul style="list-style-type: none"> <li>- Approximately every six months.</li> <li>- When the water filter indicator turns on.</li> <li>- When the water dispenser output decreases.</li> <li>- When the ice cubes are smaller than normal.</li> </ul> </li> </ul>
	<p><b>Low house water supply pressure.</b></p> <ul style="list-style-type: none"> <li>• The water pressure must be between 20 and 120 psi (138 and 827 kPa) on models without a water filter and between 40 and 120 psi (276 and 827 kPa) on models with a water filter. If the problem persists, it may be necessary to contact a plumber.</li> </ul>
	<p><b>Reverse osmosis filtration system is used.</b></p> <ul style="list-style-type: none"> <li>• Reverse osmosis filtration systems can reduce the water pressure below the minimum amount and result in icemaker issues.</li> </ul>
	<p><b>Tubing connecting refrigerator to house supply valve is kinked.</b></p> <ul style="list-style-type: none"> <li>• The tubing can kink when the refrigerator is moved during installation or cleaning resulting in reduced water flow. Straighten or repair the water supply line and arrange it to prevent future kinks.</li> </ul>
	<p><b>Doors are opened often or for long periods of time.</b></p> <ul style="list-style-type: none"> <li>• If the doors of the unit are opened often, ambient air will warm the refrigerator which will prevent the unit from maintaining the set temperature. Lowering the refrigerator temperature can help, as well as not opening the doors as frequently.</li> </ul>
	<p><b>Doors are not closed completely.</b></p> <ul style="list-style-type: none"> <li>• If the doors are not properly closed, ice production will be affected. See the "Doors will not close correctly or pop open" section in Parts &amp; Features Troubleshooting for more information.</li> </ul>
	<p><b>The temperature setting for the freezer is too warm.</b></p> <ul style="list-style-type: none"> <li>• The recommended temperature for the freezer compartment for normal ice production is 0 °F (-18 °C). If the freezer temperature is warmer, ice production will be affected.</li> </ul>
<p><b>Icemaker is not making ice</b></p>	<p><b>Refrigerator was recently installed or icemaker recently connected.</b></p> <ul style="list-style-type: none"> <li>• It may take up to 24 hours for each compartment to reach the desired temperature and for the icemaker to begin making ice.</li> </ul>
	<p><b>Icemaker is not turned on.</b></p> <ul style="list-style-type: none"> <li>• Locate the icemaker ON/OFF and confirm that it is turned on.</li> </ul>
	<p><b>The ice detecting sensor is obstructed.</b></p> <ul style="list-style-type: none"> <li>• Foreign substances or frost on the ice-detecting sensor can interrupt ice production. Make sure that the sensor area is clean at all times for proper operation.</li> </ul>
	<p><b>The refrigerator is not connected to a water supply or the supply shutoff valve is not turned on.</b></p> <ul style="list-style-type: none"> <li>• Connect the refrigerator to the water supply and turn the water shutoff valve fully open.</li> </ul>
	<p><b>Icemaker shutoff (arm or sensor) obstructed.</b></p> <ul style="list-style-type: none"> <li>• If your icemaker is equipped with an ice shutoff arm, make sure that the arm moves freely. If your icemaker is equipped with the electronic ice shutoff sensor, make sure that there is a clear path between the two sensors.</li> </ul>
	<p><b>Reverse osmosis water filtration system is connected to your cold water supply.</b></p> <ul style="list-style-type: none"> <li>• Reverse osmosis filtration systems can reduce the water pressure below the minimum amount and result in icemaker issues.</li> </ul>

## 40 TROUBLESHOOTING

Problem	Possible Cause & Solution
<b>Ice has bad taste or odor.</b>	<b>Water supply contains minerals such as sulfur.</b> <ul style="list-style-type: none"> <li>A water filter may need to be installed to eliminate taste and odor problems. NOTE: In some cases, a filter may not help. It may not be possible to remove all minerals/odor/taste in all water supplies.</li> </ul>
	<b>Icemaker was recently installed.</b> <ul style="list-style-type: none"> <li>Ice that has been stored for too long will shrink, become cloudy, and may develop a stale taste. Throw away old ice and make a new supply.</li> </ul>
	<b>The food has not been stored properly in either compartment.</b> <ul style="list-style-type: none"> <li>Rewrap the food. Odors may migrate to the ice if food is not wrapped properly.</li> </ul>
	<b>The interior of the refrigerator needs to be cleaned.</b> <ul style="list-style-type: none"> <li>See the Maintenance section for more information.</li> </ul>
	<b>The ice storage bin needs to be cleaned.</b> <ul style="list-style-type: none"> <li>Empty and wash the bin (discard old cubes). Make sure that the bin is completely dry before reinstalling it.</li> </ul>
<b>Icemaker is making too much ice.</b>	<b>Icemaker shutoff (arm/ sensor) is obstructed.</b> <ul style="list-style-type: none"> <li>Empty the ice bin. If your icemaker is equipped with an ice shutoff arm, make sure that the arm moves freely. If your icemaker is equipped with the electronic ice shutoff sensor, make sure that there is a clear path between the two sensors. Reinstall the ice bin and wait 24 hours to confirm proper operation.</li> </ul>

## Parts & Features

Problem	Possible Cause & Solution
<b>Doors will not close correctly or pop open.</b>	<b>Food packages are blocking the door open.</b> <ul style="list-style-type: none"> <li>Rearrange food containers to clear the door and door shelves.</li> </ul>
	<b>Ice bin, crisper cover, pans, shelves, door bins, or baskets are out of position.</b> <ul style="list-style-type: none"> <li>Push bins all the way in and put crisper cover, pans, shelves and baskets into their correct positions. See the Operation section for more information.</li> </ul>
	<b>The doors were removed during product installation and not properly replaced.</b> <ul style="list-style-type: none"> <li>Remove and replace the doors according to the installation instructions.</li> </ul>
	<b>Refrigerator is not leveled properly.</b> <ul style="list-style-type: none"> <li>See Door Alignment in the installation instructions to level refrigerator.</li> </ul>
<b>Doors are difficult to open.</b>	<b>The gaskets are dirty or sticky.</b> <ul style="list-style-type: none"> <li>Clean the gaskets and the surfaces that they touch. Rub a thin coat of appliance polish or kitchen wax on the gaskets after cleaning.</li> </ul>
	<b>Door was recently closed.</b> <ul style="list-style-type: none"> <li>When you open the door, warmer air enters the refrigerator. As the warm air cools, it can create a vacuum. If the door is hard to open, wait one minute to allow the air pressure to equalize, then see if it opens more easily.</li> </ul>
<b>Refrigerator wobbles or seems unstable.</b>	<b>Floor is not level.</b> <ul style="list-style-type: none"> <li>It may be necessary to add shims under the leveling legs or rollers to complete installation.</li> </ul>
<b>Lights do not work.</b>	<b>LED interior lighting failure.</b> <ul style="list-style-type: none"> <li>The refrigerator compartment lamp is LED interior lighting, and service should be performed by a qualified technician.</li> </ul>



Problem	Possible Cause & Solution
<b>The interior of the refrigerator is covered with dust or soot.</b>	<p><b>The refrigerator is located near a fire source, such as a fireplace, chimney, or candle.</b></p> <ul style="list-style-type: none"> <li>• Make sure that the refrigerator is not located near a fire source, such as a fireplace, chimney or candle.</li> </ul>

## Noises

Problem	Possible Cause & Solution
<b>Clicking</b>	<p><b>The defrost control will click when the automatic defrost cycle begins and ends. The thermostat control (or refrigerator control on some models) will also click when cycling on and off.</b></p> <ul style="list-style-type: none"> <li>• Normal Operation</li> </ul>
<b>Rattling</b>	<p><b>Rattling noises may come from the flow of refrigerant, the water line on the back of the unit, or items stored on top of or around the refrigerator.</b></p> <ul style="list-style-type: none"> <li>• Normal Operation</li> </ul>
	<p><b>Refrigerator is not resting solidly on the floor.</b></p> <ul style="list-style-type: none"> <li>• Floor is weak or uneven or leveling legs need to be adjusted. See the Leveling and Door Alignment section in the installation instructions.</li> </ul>
	<p><b>Refrigerator with linear / inverter compressor was jarred while running.</b></p> <ul style="list-style-type: none"> <li>• Normal Operation</li> </ul>
<b>Whooshing</b>	<p><b>Evaporator fan motor is circulating air through the refrigerator compartment.</b></p> <ul style="list-style-type: none"> <li>• Normal Operation</li> </ul>
	<p><b>Air is being forced over the condenser by the condenser fan.</b></p> <ul style="list-style-type: none"> <li>• Normal Operation</li> </ul>
<b>Gurgling</b>	<p><b>Refrigerant flowing through the cooling system.</b></p> <ul style="list-style-type: none"> <li>• Normal Operation</li> </ul>
<b>Popping</b>	<p><b>Contraction and expansion of the inside walls due to changes in temperature.</b></p> <ul style="list-style-type: none"> <li>• Normal Operation</li> </ul>
<b>Sizzling</b>	<p><b>Water dripping on the defrost heater during a defrost cycle.</b></p> <ul style="list-style-type: none"> <li>• Normal Operation</li> </ul>
<b>Vibrating</b>	<p><b>If the side or back of the refrigerator is touching a cabinet or wall, some of the normal vibrations may make an audible sound.</b></p> <ul style="list-style-type: none"> <li>• To eliminate the noise, make sure that the sides and back cannot vibrate against any wall or cabinet.</li> </ul>
<b>Dripping</b>	<p><b>Water running into the drain pan during the defrost cycle.</b></p> <ul style="list-style-type: none"> <li>• Normal Operation</li> </ul>
<b>Pulsating or high-pitched sound</b>	<p><b>Your refrigerator is designed to run more efficiently to keep your food items at the desired temperature. The high efficiency compressor may cause your new refrigerator to run longer than your old one, but it is still more energy efficient than previous models. While the refrigerator is running, it is normal to hear a pulsating or high-pitched sound.</b></p> <ul style="list-style-type: none"> <li>• Normal Operation</li> </ul>

## 42 TROUBLESHOOTING

### Wi-Fi

Problem	Possible Cause & Solution
<b>Trouble connecting appliance and smartphone to Wi-Fi network</b>	<b>The password for the Wi-Fi network was entered incorrectly.</b> <ul style="list-style-type: none"> <li>Delete your home Wi-Fi network and begin the connection process again.</li> </ul>
	<b>Mobile data for your smartphone is turned on.</b> <ul style="list-style-type: none"> <li>Turn off the <b>Mobile data</b> on your smartphone before connecting the appliance.</li> </ul>
	<b>The wireless network name (SSID) is set incorrectly.</b> <ul style="list-style-type: none"> <li>The wireless network name (SSID) should be a combination of English letters and numbers. (Do not use special characters.)</li> </ul>
	<b>The router frequency is not 2.4 GHz.</b> <ul style="list-style-type: none"> <li>Only a 2.4 GHz router frequency is supported. Set the wireless router to 2.4 GHz and connect the appliance to the wireless router. To check the router frequency, check with your Internet service provider or the router manufacturer.</li> </ul>
	<b>The appliance and the router are too far apart.</b> <ul style="list-style-type: none"> <li>If the appliance is too far from the router, the signal may be weak and the connection may not be configured correctly. Move the router closer to the appliance or purchase and install a Wi-Fi repeater.</li> </ul>
	<b>During Wi-Fi setup, the app is requesting a password to connect to the product (on certain phones).</b> <ul style="list-style-type: none"> <li>Locate the network name which starts with "LG" under Settings &gt; Networks. Note the last part of the network name. <ul style="list-style-type: none"> <li>If the network name looks like LGE_Appliance_XX-XX-XX, enter lge12345.</li> <li>If the network name looks like LGE_Appliance_XXXX, enter XXXX twice as your password. For example, if the network name appears as LGE_Appliance_8b92, then you would enter 8b928b92 as your password. In this instance, the password is case sensitive and the last 4 characters are unique to your appliance.</li> </ul> </li> </ul>

# LIMITED WARRANTY

## USA

### TERMS AND CONDITIONS

Should your **SIGNATURE KITCHEN SUITE** Refrigerator ("Product") fail due to a defect in materials or workmanship under normal and proper use, during the warranty period set forth below, **SIGNATURE KITCHEN SUITE** will, at its option, repair or replace the Product. This limited warranty is valid only to the original retail purchaser of the Product ("You") and applies only when purchased lawfully and used within the United States including U.S. Territories.

ENGLISH

WARRANTY PERIOD			
Refrigerator/Freezer	Sealed System (Condenser, Dryer, Connecting Tube and Evaporator)	Compressor	
		Three (3) years from the date of original retail purchase	Five (5) years from the date of original retail purchase
Parts and Labor (internal/functional parts only)	Parts and Labor	Parts and Labor	

- Replacement Products and parts are warranted for the remaining portion of the original warranty period or ninety (90) days, whichever is greater.
- Replacement Products and parts may be new, reconditioned, refurbished, or otherwise factory remanufactured.
- Replaced Product or part(s) will be the property of **SIGNATURE KITCHEN SUITE**.
- Proof of original retail purchase specifying the Product model and date of purchase is required to obtain warranty service under this limited warranty.

**EXCEPT TO THE EXTENT PROHIBITED BY APPLICABLE LAW, ANY IMPLIED WARRANTY OF MERCHANTABILITY OR FITNESS FOR A PARTICULAR PURPOSE ON THE PRODUCT IS LIMITED IN DURATION TO THE DURATION OF THE ABOVE LIMITED WARRANTY. UNDER NO CIRCUMSTANCES SHALL SIGNATURE KITCHEN SUITE OR ITS U.S. DISTRIBUTORS/DEALERS BE LIABLE FOR ANY INDIRECT, INCIDENTAL, CONSEQUENTIAL, SPECIAL, OR PUNITIVE DAMAGES, INCLUDING, WITHOUT LIMITATION, LOST GOODWILL, LOST REVENUES OR PROFITS, WORK STOPPAGE, IMPAIRMENT OF OTHER GOODS, COST OF REMOVAL AND REINSTALLATION OF THE PRODUCT, LOSS OF USE, OR ANY OTHER DAMAGES WHETHER BASED IN CONTRACT, TORT, OR OTHERWISE. SIGNATURE KITCHEN SUITE'S TOTAL LIABILITY, IF ANY, SHALL NOT EXCEED THE PURCHASE PRICE PAID BY YOU FOR THE PRODUCT.**

**SOME STATES DO NOT ALLOW THE EXCLUSION OR LIMITATION OF INCIDENTAL OR CONSEQUENTIAL DAMAGES OR LIMITATIONS ON HOW LONG AN IMPLIED WARRANTY LASTS, SO THE ABOVE EXCLUSIONS OR LIMITATIONS MAY NOT APPLY TO YOU. THIS LIMITED WARRANTY GIVES YOU SPECIFIC LEGAL RIGHTS AND YOU MAY ALSO HAVE OTHER RIGHTS THAT VARY FROM STATE TO STATE.**

## 44 LIMITED WARRANTY

---

### THIS LIMITED WARRANTY DOES NOT COVER:

- Service trips to deliver, pick up, or install, educate how to operate, correct wiring, or correct unauthorized repairs.
- Damage or failure of the Product to perform during power failures and interrupted or inadequate electrical service.
- Damage or failure of the Product caused by leaky or broken water pipes, frozen water pipes, restricted drain lines, inadequate or interrupted water supply or inadequate supply of air.
- Damage or failure of the Product resulting from operating the Product in a corrosive atmosphere or contrary to the Product owner's manual.
- Damage or failure of the Product caused by accidents, pests and vermin, lightning, wind, fire, floods, acts of nature, or any other causes beyond the control of **SIGNATURE KITCHEN SUITE**.
- Damage or failure of the Product caused by unauthorized modification or alteration, or if the Product is used for other than the intended purpose, or any water leakage where the Product was not properly installed.
- Damage or failure of the Product caused by incorrect electrical current, voltage, or plumbing codes.
- Damage or failure of the Product caused by transportation, storage, and/or handling, including scratches, dents, chips, and/or other damage to the finish of the Product, unless such damage is reported within one (1) week of delivery.
- Damage or failure of the Product resulting from misuse, abuse, improper installation, repair, or maintenance. Improper repair includes the use of parts not authorized by **SIGNATURE KITCHEN SUITE**. Improper installation or maintenance includes installation or maintenance contrary to the Product owner's manual.
- Damage or failure of the Product caused by the use of parts, components, accessories, consumable cleaning products, or any other products or services that were not authorized by **SIGNATURE KITCHEN SUITE**.
- Damage or missing items to any display or open box Product.
- Refurbished Product or any Product sold "As Is", "Where Is", "With all Faults", or similar disclaimer.
- Products with original serial numbers that have been removed, altered, or cannot be readily determined.
- Increases in utility costs and additional utility expenses.
- Any noises associated with normal operation.
- Products used for other than normal and proper household use (e.g., commercial or industrial use) or contrary to the Product owner's manual.
- Costs associated with removal and reinstallation of the Product for repairs, or the removal and reinstallation of the Product if it is installed in an inaccessible location or not installed in accordance with the Product Owner's manual.
- Accessories, removable components, or consumable parts (e.g. Shelves, door bins, drawers, water/air filters, racks, light bulbs, batteries, etc., as applicable), except for internal/functional parts covered under this limited warranty.

**The cost of repair or replacement under these excluded circumstances shall be borne by You.**

TO OBTAIN WARRANTY SERVICE AND ADDITIONAL INFORMATION

Call 1-855-790-6655 and select the appropriate option from the menu.

Or visit our website at <http://www.signaturekitchensuite.com>.

Or by mail: **SIGNATURE KITCHEN SUITE** Customer Service P.O. Box 240007 Huntsville, AL 35813 ATTN: CIC

# Canada

## TERMS AND CONDITIONS

Should your **SIGNATURE KITCHEN SUITE** Refrigerator ("Product") fail due to a defect in materials or workmanship under normal and proper use, during the warranty period set forth below, **SIGNATURE KITCHEN SUITE** will, at its option, repair, replace or pro rate the Product upon receipt of proof of the original retail purchase. This limited warranty is valid only to the original retail purchaser of the Product and applies only to a Product distributed, purchased from an authorized retailer and used within Canada, as determined at the sole discretion of **SIGNATURE KITCHEN SUITE**.

WARRANTY PERIOD			
Refrigerator	Sealed System (Condenser, Dryer, Connecting Tube and Evaporator)		Linear/Inverter Compressor
Three (3) years from the date of original retail purchase	Three (3) years from the date of original retail purchase	Seven (7) years from the date of original retail purchase	Ten (10) years from the date of original retail purchase
Parts and Labor (Internal / functional parts only)	Parts and Labor	Parts Only (Consumer will be charged for labor)	Parts Only (Consumer will be charged for labor)

- Replacement products and parts are warranted for the remaining portion of the original warranty period or ninety (90) days, whichever is greater.
- Replacement products and parts may be new, reconditioned, refurbished, or otherwise factory remanufactured, all at the sole discretion of **SIGNATURE KITCHEN SUITE**.
- Proof of original retail purchase specifying the Product model and date of purchase is required to obtain warranty service under this Limited Warranty.

**SIGNATURE KITCHEN SUITE'S SOLE LIABILITY IS LIMITED TO THE LIMITED WARRANTY SET OUT ABOVE, UNLESS SUCH LIMITATION IS PROHIBITED BY THE LAWS OF THE PROVINCE IN WHICH YOU RESIDE. EXCEPT AS EXPRESSLY PROVIDED ABOVE, OR IF OTHERWISE PROHIBITED BY THE LAW OF THE PROVINCE IN WHICH YOU RESIDE, SIGNATURE KITCHEN SUITE DOES NOT MAKE ANY OTHER WARRANTIES OR CONDITIONS RESPECTING THE PRODUCT, AND HEREBY DISCLAIMS, ALL OTHER WARRANTIES AND CONDITIONS RESPECTING THE PRODUCT, WHETHER EXPRESS OR IMPLIED, INCLUDING BUT NOT LIMITED TO, ANY IMPLIED WARRANTY OR CONDITION OF MERCHANTABILITY OR FITNESS FOR A PARTICULAR PURPOSE, AND NO REPRESENTATIONS SHALL BE BINDING ON SIGNATURE KITCHEN SUITE. SIGNATURE KITCHEN SUITE DOES NOT AUTHORIZE ANY PERSON TO CREATE OR ASSUME FOR IT ANY OTHER WARRANTY OBLIGATION OR LIABILITY IN CONNECTION WITH THE PRODUCT. TO THE EXTENT THAT ANY WARRANTY OR CONDITION IS IMPLIED BY LAW, IT IS LIMITED TO THE WARRANTY PERIOD SET OUT ABOVE. UNDER NO CIRCUMSTANCES SHALL SIGNATURE KITCHEN SUITE, THE MANUFACTURER OR DISTRIBUTOR OF THE PRODUCT, BE LIABLE FOR ANY INCIDENTAL, CONSEQUENTIAL, SPECIAL, DIRECT, INDIRECT, PUNITIVE OR EXEMPLARY DAMAGES, INCLUDING, WITHOUT LIMITATION, LOSS OF GOODWILL, LOST PROFITS, LOSS OF ANTICIPATED PROFITS, LOST REVENUE, LOSS OF USE, OR ANY OTHER DAMAGE, WHETHER ARISING DIRECTLY OR INDIRECTLY FROM ANY CONTRACTUAL BREACH, FUNDAMENTAL BREACH, TORT OR OTHERWISE, OR FROM ANY ACTS OR OMISSIONS. SIGNATURE KITCHEN SUITE'S TOTAL LIABILITY, IF ANY, SHALL NOT EXCEED THE PURCHASE PRICE PAID BY YOU FOR THE PRODUCT.**

This Limited Warranty gives you specific legal rights. You may also have other rights that vary from province to province depending on applicable provincial laws. Any term of this Limited Warranty that negates or varies any implied condition or warranty under provincial law is severable where it conflicts with such provincial law without affecting the remainder of this warranty's terms.

### THIS LIMITED WARRANTY DOES NOT COVER:

- Service trips to i) deliver, pick up, or install or; educate on how to operate the Product; ii) correct wiring or plumbing; or iii) correct unauthorized repairs or installations of the Product;

## 46 LIMITED WARRANTY

---

- Damage or failure of the Product to perform during power failures and interrupted or inadequate electrical service;
- Damage or failure caused by leaky or broken water pipes, frozen water pipes, restricted drain lines, inadequate or interrupted water supply or inadequate supply of air;
- Damage or failure resulting from operating the Product in a corrosive atmosphere or contrary to the instructions outlined in the Product's owner's manual;
- Damage or failure to the Product caused by accidents, pests and vermin, lightning, wind, fire, floods, acts of God, or any other causes beyond the control of **SIGNATURE KITCHEN SUITE** or the manufacturer;
- Damage or failure resulting from misuse, abuse, improper installation, repair, or maintenance of the Product. Improper repair includes use of parts not authorized or specified by **SIGNATURE KITCHEN SUITE**. Improper installation or maintenance includes installation or maintenance contrary to the Product's owner's manual;
- Damage or failure caused by unauthorized modification or alteration of the Product, or if used for other than the intended household purpose/use of the Product, or damage or failure resulting from any water leakage due to improper installation of the Product;
- Damage or failure caused by incorrect electrical current, voltage or plumbing codes;
- Damage or failure caused by use that is other than normal household use, including, without limitation, commercial or industrial use, including use in commercial offices or recreational facilities, or as otherwise outlined in the Product's owner's manual;
- Damage or failure caused by the use of any accessories, components or cleaning products, including, without limitation, water filters, that are not approved/authorized by **SIGNATURE KITCHEN SUITE**;
- Replacement of the water filter cartridge due to water pressure that is outside the specified operating range or due to excessive sediment in the water supply;
- Damage or failure caused by transportation and handling, including scratches, dents, chips and/or other damage to the finish of the Product, unless such damage results from defects in materials or workmanship and is reported to **SIGNATURE KITCHEN SUITE** within one (1) week of delivery of the Products;
- Damage or missing items to any display, open box, refurbished or discounted Product;
- Refurbished Product or any Product sold "As Is", "Where Is", "With all Faults", or any similar disclaimer;
- Products with original serial numbers that have been removed, altered or cannot be readily determined at the discretion of **SIGNATURE KITCHEN SUITE**;
- Increases in utility costs and additional utility expenses in any way associated with the Product;
- Any noises associated with normal operation of the Product;
- Replacement of light bulbs, filters, fuses or any other consumable parts;
- Replacement of any part that was not originally included with the Product;
- Costs associated with removal and/or reinstallation of the Product for repairs; and
- Racks, shelves, door bins, drawers, handle and accessories to the Product, except for internal/functional parts covered under this Limited Warranty.

**All costs and expenses associated with the above excluded circumstances, listed under the heading, This Limited Warranty Does Not Cover, shall be borne by the consumer.**

TO OBTAIN WARRANTY SERVICE AND ADDITIONAL INFORMATION, PLEASE CALL OR VISIT OUR WEBSITE:

- Call 1-888-289-2802 and select the appropriate option from the menu.
- Visit our website at <http://www.signaturekitchensuite.com>
- By mail: 20 Norelco Drive, North York, ON, M9L 2X6

Escanee el código QR para ver el manual.



# MANUAL DEL PROPIETARIO **REFRIGERADOR INCORPORADO**

Lea el manual del propietario detenidamente previo a operar el electrodoméstico y mantengalo al alcance para futuras referencias.

**ESPAÑOL**

SKSFD4826P, SKSFD4826SP, SKSFD4826MT

[www.signaturekitchensuite.com](http://www.signaturekitchensuite.com)

Copyright © 2022-2024 Signature Kitchen Suite. Todos los derechos reservados

2

## ÍNDICE

### 3 INSTRUCCIONES IMPORTANTES DE SEGURIDAD

---

- 3 LEA TODAS LAS INSTRUCCIONES ANTES DE UTILIZAR
- 3 ADVERTENCIA
- 6 PRECAUCIÓN

### 8 DESCRIPCIÓN GENERAL DEL PRODUCTO

---

- 8 Características del producto

### 10 FUNCIONAMIENTO

---

- 10 Antes de Usar
- 11 Panel de control
- 16 Modo Sabbath
- 16 Dispensador de Agua
- 16 Máquina de Hielo Automática
- 18 Almacenando Alimentos
- 20 Cajones para verduras
- 21 Cajones del congelador
- 24 Estantes
- 25 Contenedores de la Puerta

### 26 FUNCIONES INTELIGENTES

---

- 26 Aplicación LG ThinQ
- 28 Función Smart Grid (Red Inteligente)
- 29 Función Smart Diagnosis™

### 31 MANTENIMIENTO

---

- 31 Limpieza
- 31 Filtro de Aire
- 32 Filtro de agua

### 36 SOLUCIÓN DE PROBLEMAS

---

- 36 Preguntas frecuentes
- 37 Antes de llamar al servicio técnico

### 46 GARANTÍA LIMITADA

---

- 46 EE. UU.



# INSTRUCCIONES IMPORTANTES DE SEGURIDAD

## LEA TODAS LAS INSTRUCCIONES ANTES DE UTILIZAR

ESPAÑOL

### Mensajes de seguridad

**Su seguridad y la de los demás son muy importantes.**

Tanto en este manual como en el equipo, hemos proporcionado muchos mensajes de seguridad importantes. Siempre debe leer y respetar todos los mensajes de seguridad.



Este es el símbolo de alerta de seguridad.

Este símbolo le advierte sobre posibles riesgos que pueden ocasionar lesiones o la muerte a usted o a otros. El símbolo de alerta de seguridad siempre estará acompañado de las palabras "ADVERTENCIA" o "PRECAUCIÓN" y seguido de un mensaje de seguridad importante.

Estos términos significan lo siguiente:



#### **ADVERTENCIA**

El incumplimiento de las instrucciones podría causarle la muerte o lesiones graves.



#### **PRECAUCIÓN**

El incumplimiento de las instrucciones podría causarle lesiones o daños al producto.

Todos los mensajes de seguridad le indicarán cuáles son los peligros potenciales, cómo reducir la posibilidad de lesiones y qué podría suceder si no sigue las instrucciones.

## ADVERTENCIA



### **ADVERTENCIA**

- Para disminuir el riesgo de explosiones, incendios, descargas eléctricas, quemaduras, lesiones o muerte para las personas que usen este artefacto, siga las precauciones básicas, incluidas las siguientes:

### Instalación

- Para evitar un peligro debido a la inestabilidad del electrodoméstico, se debe fijar de acuerdo con las instrucciones.
- Al colocar el electrodoméstico, asegúrese de que el cable de alimentación no quede atrapado ni se dañe.
- No coloque varias tomas de corriente portátiles o fuentes de alimentación portátiles en la parte trasera del electrodoméstico.

### FUNCIONAMIENTO

- Este refrigerador está destinado únicamente a usos domésticos y similares aplicaciones, tales como:
  - áreas de cocina en tiendas, oficinas y lugares de trabajo;
  - granjas; por clientes en hoteles, moteles y otros tipos de ambientes residenciales;
  - hospedajes tipo bed and breakfast;
  - aplicaciones de abastecimiento y de servicios similares de no distribución.
- Este aparato no se debe utilizar en instalaciones portátiles o móviles, tales como en usos de tipo marítimo o RV, donde estará en movimiento mientras funciona.
- Este aparato no está destinado para utilizarse por personas (incluyendo niños) con capacidades físicas, sensoriales o mentales reducidas, o con falta de experiencia o conocimiento, a menos que hayan

## 4 INSTRUCCIONES IMPORTANTES DE SEGURIDAD

---

recibido una supervisión o capacitación concerniente a el uso del aparato por una persona responsable de su seguridad.

- No use este electrodoméstico para fines especiales, como para conservar medicamentos o materiales de ensayo, usar en barcos, etc.
- NO permita que los niños entren y se paren o se cuelguen de las puertas o los estantes del electrodoméstico. Podrían dañar el refrigerador o sufrir lesiones graves.
- No permita que los niños entren al electrodoméstico. Podrían quedar atrapados y sofocarse.
- Debe supervisar a los niños para asegurarse de que no jueguen con el electrodoméstico.
- Mantenga los dedos lejos de los puntos de riesgo de pinzamiento; las distancias de separación entre las puertas y los gabinetes son necesariamente pequeñas. Tenga cuidado al cerrar las puertas cuando haya niños cerca.
- No toque los alimentos congelados ni las partes metálicas del compartimento del congelador si tiene las manos mojadas o húmedas. Hacerlo podría causar congelación.
- No vuelva a congelar alimentos congelados que se hayan descongelado por completo. Esto podría ser peligroso para su salud.
- No use adaptadores ni enchufe el cable de alimentación en un alargador de múltiples tomacorrientes.
- Si el cordón de alimentación es dañado, este debe ser reemplazado por el fabricante o por su agente de servicio o por personal similarmente calificado con el fin de evitar un peligro.
- No use el refrigerador ni toque el cable de alimentación con las manos mojadas.
- No modifique ni extienda el cable de alimentación.
- No use un tomacorriente que no esté certificado. No enchufe el electrodoméstico en un tomacorriente de pared dañado.
- No coloque las manos, los pies u otros objetos en la ventilación de aire ni en la parte inferior del refrigerador. Si lo hace, podría sufrir lesiones personales o descargas eléctricas.
- Si se produce una fuga de gas (propano/GPL), asegúrese de que el área esté adecuadamente ventilada y póngase en contacto con un centro de servicio autorizado antes de volver a usar el refrigerador. No toque el refrigerador ni el botón de encendido.
- Ante la presencia de ruidos u olores extraños, o si sale humo del electrodoméstico, apáguelo de inmediato y póngase en contacto con un centro de servicio autorizado.
- No use fusibles (como cobre, alambre de acero, etc.) que no sean los fusibles estándar.
- No coloque ni use un aparato eléctrico dentro del electrodoméstico, a menos que sea de un tipo recomendado por el fabricante.
- No introduzca animales con vida dentro del electrodoméstico.
- No coloque objetos pesados o frágiles, contenedores llenos de líquido, sustancias combustibles u objetos inflamables (como velas y lámparas) sobre el electrodoméstico.
- Si se conecta a un circuito protegido con fusibles, utilice un fusible de retardo.
- Mantenga las aperturas de ventilación, en la cubierta del electrodoméstico o en la estructura incorporada, despejadas de obstrucciones.
- No utilice dispositivos mecánicos u otros medios para acelerar el proceso de descongelado, con excepción de aquellos recomendados por el fabricante.
- No utilice aparatos eléctricos dentro de los compartimentos de almacenaje de alimentos del electrodoméstico a menos que sean de un tipo recomendado por el fabricante.
- No almacene sustancias explosivas como latas de aerosol con propulsores inflamables en este electrodoméstico.
- No dañe el circuito refrigerante.
- Se debe usar un circuito derivado individual o un disyuntor con una conexión a tierra apropiada en el caso de que sea necesario desconectar el producto después de la instalación.
- Este aparato incorpora una conexión a tierra con fines funcionales.

- Conecte únicamente a un suministro de agua potable.
  - Si está conectado a un suministro de agua, conéctese únicamente a un suministro de agua potable.
- Llene únicamente con agua potable.
  - Si utiliza una máquina para hacer hielo o un dispensador de agua, asegúrese de llenarlos únicamente con agua potable.

## Mantenimiento

- No use secadoras eléctricas para secar el interior del producto.
- No prenda velas para remover el olor interno del producto.
- En el caso de fuga del refrigerante, aleje los objetos inflamables del refrigerador. Asegúrese de que el área esté bien ventilada y póngase en contacto con un centro de servicio autorizado.
- Mantenga materiales inflamables y vapores, como gasolina, alejados del refrigerador.
- Este electrodoméstico está diseñado para uso doméstico y aplicaciones similares como áreas de cocina en tiendas, oficinas y lugares de trabajo; granjas; por clientes en hoteles, moteles y otros tipos de ambientes residenciales; dormitorios; aplicaciones de abastecimiento y de servicios similares de no distribución.
- Apague la alimentación antes de limpiar o reparar el refrigerador.
- Las luces del refrigerador y el compartimento del congelador son luces LED para interiores, y un técnico calificado debe realizar el mantenimiento.
- Apague la alimentación de inmediato en caso de apagón o tormenta eléctrica.
- Apague la alimentación si ingresa agua o polvo en el electrodoméstico. Llame a un agente de servicio.
- No almacene contenedores de vidrio ni refrescos en el compartimento del congelador. Al congelarse, los contenidos pueden expandirse, romper el contenedor y provocar lesiones.
- No almacene, desarme ni repare el electrodoméstico usted mismo ni permita que el personal no calificado lo haga.
- No almacene sustancias explosivas como latas de aerosol con propulsores inflamables en este electrodoméstico.
- Si se daña el cable de electricidad, solo el fabricante está autorizado para reemplazarlo, o bien su agente de servicio técnico o una persona de calificación similar para prevenir riesgos.

## Desecho

- Riesgo de atrapamiento de niños. Los electrodomésticos desechados o abandonados son peligrosos, incluso si se dejan de usar solo por unos pocos días. Al momento de desechar el refrigerador, retire los materiales de embalaje de la puerta o quite las puertas, pero deje los estantes en su lugar, a fin de que los niños no puedan ingresar fácilmente a este.
- Si desecha el refrigerador, asegúrese de que el refrigerante y la espuma de aislamiento sean removidos para su adecuada eliminación por un técnico calificado. Si libera el refrigerante o tira la espuma de aislamiento, puede ser multado o encarcelado de acuerdo con la legislación ambiental pertinente. La espuma de aislamiento contiene un gas expansor inflamable.
- Cuando deseche el electrodoméstico, retire la junta de la puerta mientras deja los estantes y los recipientes en su lugar, y mantenga a los niños alejados del electrodoméstico.

## Instrucciones de conexión a tierra

- La conexión inadecuada del conductor de conexión a tierra puede resultar en riesgo de choque eléctrico. Pregunte a un electricista calificado o al personal de servicio si no está seguro si el artefacto está adecuadamente conectado a tierra. No modifique el enchufe que viene con el artefacto. Si no cabe en el contacto, pida que un electricista calificado instale un contacto apropiado.

## 6 INSTRUCCIONES IMPORTANTES DE SEGURIDAD

- Haga que un técnico certificado verifique que el tomacorriente de pared y los cables estén adecuadamente conectados a tierra.

### Riesgo de incendio y materiales inflamables



Este símbolo le avisa de materiales inflamables que pueden encenderse y provocar un incendio si no tiene cuidado.

Este electrodoméstico contiene una pequeña cantidad de refrigerante isobutano (R600a), que es combustible. Al transportar e instalar el electrodoméstico, debe prestar atención para asegurar que ninguna parte del circuito refrigerante se dañe. Fuga del refrigerante fuera de las tuberías podría generar un incendio o causar una lesión ocular. Si se detecta una fuga, evite cualquier llama descubierta o fuentes potenciales de incendio, y ventile el ambiente en el que se encuentra el electrodoméstico por varios minutos.

A manera de evitar la creación de una mezcla de gas y aire inflamable en caso ocurra una fuga en el circuito refrigerante, el tamaño de la habitación en el que el electrodoméstico se ubica deberá corresponder a la cantidad de refrigerante usada. El espacio debe ser de 10.8 pies cuadrados (1 metro cuadrado) por cada 8g de refrigerante R600a dentro del electrodoméstico. La cantidad de refrigerante en su electrodoméstico particular se muestra en la placa de identificación ubicada dentro del mismo. Nunca conecte un electrodoméstico mientras este muestre algún signo defectuoso. En caso de dudas, consulte con su distribuidor.

## PRECAUCIÓN

### ⚠ PRECAUCIÓN

- Para reducir el riesgo de lesiones leves o moderadas a personas, el mal funcionamiento o daño al producto o propiedad cuando use este producto, siga las precauciones básicas, incluidas las siguientes:

### Instalación

- No coloque el electrodoméstico en un lugar donde podría caerse.
- El refrigerador debe instalarse correctamente, teniendo en cuenta las instrucciones de instalación.

### FUNCIONAMIENTO

- No use aerosoles cerca del electrodoméstico.
- Este refrigerador está destinado únicamente a usos domésticos y similares.
- No golpee ni aplique demasiada fuerza en las superficies de vidrio. No toque las superficies de vidrio si están agrietadas o rotas.
- No llene ni envase en exceso los alimentos en los compartimentos de la puerta. Esto podría dañar el compartimento o provocar lesiones personales al retirar los alimentos aplicando una fuerza excesiva.
- No llene demasiado el electrodoméstico con alimento. Si lo hace, puede causar lesión personal o daño a la propiedad.

### Mantenimiento

- No use detergentes fuertes como cera o diluyentes para la limpieza. Limpie con un trapo suave.
- Retire los objetos extraños (como polvo y agua) de las clavijas del enchufe y las áreas de contacto. No use un trapo mojado o húmedo para limpiar el enchufe.
- No rocíe agua directamente en el interior o exterior del electrodoméstico.

## INSTRUCCIONES IMPORTANTES DE SEGURIDAD 7

- Cuando estén fríos, no limpie los estantes de vidrio ni las tapas con agua caliente. Si se exponen a cambios de temperatura repentinos, podrían romperse.

ESPAÑOL

**GUARDE ESTAS INSTRUCCIONES**

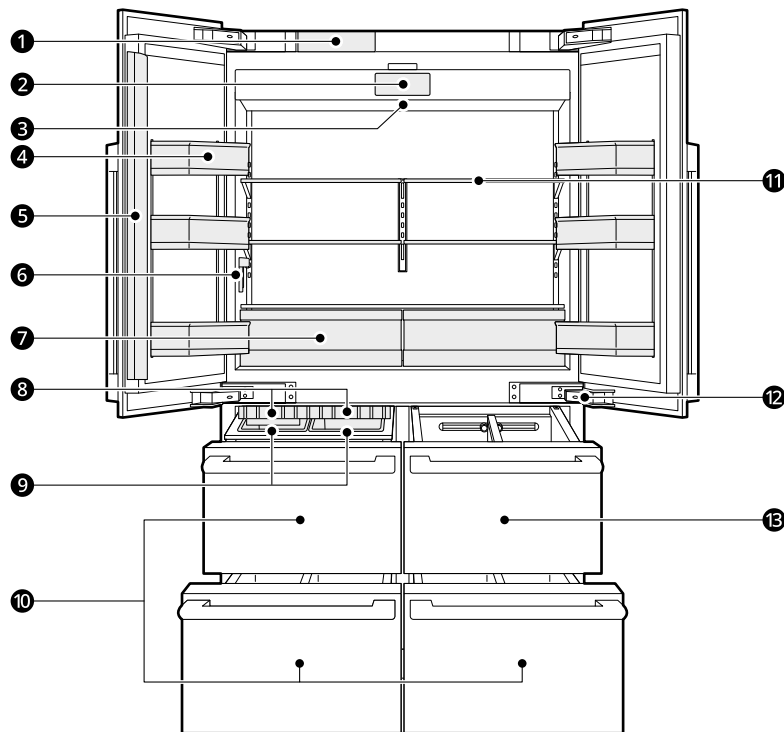
## 8 DESCRIPCIÓN GENERAL DEL PRODUCTO

# DESCRIPCIÓN GENERAL DEL PRODUCTO

## Características del producto

Las ilustraciones en esta guía pueden diferir de los componentes y accesorios reales, los cuales están sujetos a cambios sin previo aviso por parte del fabricante a fin de introducir mejoras en el producto.

### Interior



- 1 Filtro de agua**  
Purifica el agua.

#### NOTA

- El filtro de agua se debe reemplazar cada 6 meses.
- Consulte la sección **Cómo reemplazar el filtro de agua** de este manual para obtener más información.

- 2 Panel de control**  
Ajusta las temperaturas del refrigerador y congelador u otras funciones.
- 3 Iluminación Interior LED**  
Ilumina el interior del refrigerador.
- 4 Contenedor de la puerta móvil**  
Almacena alimentos o bebidas frías.
- 5 Mainel de la puerta**  
Previene que se escape el aire frío del refrigerador cuando las puertas están cerradas.

**⚠ PRECAUCIÓN**

- Para reducir el riesgo de rayar la puerta o de romper el mainel central de la puerta, asegúrese de que el mainel esté plegado antes de cerrar la puerta izquierda.
- La alarma de la puerta sonará cada 30 segundos si la puerta permanece abierta por más de un minuto.

**6 Dispensador de Agua**

Dispensa agua purificada.

**7 Cajón de verduras**

Ayuda a mantener los vegetales y las frutas crujientes.

**8 Máquina de Hielo Automática (Congelador)**

Dispensa hielo automáticamente en el contenedor de hielo.

**9 Contenedor de hielo**

Almacena hielo de la máquina de hielo del congelador.

**10 Cajón del congelador**

Mantiene los alimentos congelados.

**11 Estante ajustable del refrigerador**

Los estantes del refrigerador son ajustables para satisfacer sus necesidades personales de almacenamiento.

**12 Bisagra de cierre automático**

Las puertas del refrigerador y los cajones del congelador se cierran automáticamente mediante una leve presión. (La puerta únicamente se cierra automáticamente cuando se encuentra abierta a un ángulo menor a 30°).

**13 Cajón convertible**

Almacenamiento de temperatura variable que puede configurarse más fría o más caliente que el refrigerador.

**⚠ PRECAUCIÓN**

- La alarma de la puerta sonará cada 30 segundos si la puerta permanece abierta por más de un minuto.

**Especificaciones del producto**

La apariencia y las especificaciones detalladas en este manual podrían variar debido a mejoras constantes en el producto.

**Requerimientos eléctricos:** 115 V, 60 Hz

**Presión de Agua Min/Max:** 20 - 120 psi (138 - 827 kPa)

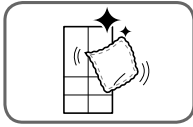
Modelo	Descripción	Peso neto
SKSFD4826P	Refrigerador incorporado	668 lb (303 kg)
SKSFD4826SP	Refrigerador incorporado	772 lb (350 kg)
SKSFD4826MT	Refrigerador incorporado	771 lb (349.8 kg)

## 10 FUNCIONAMIENTO

# FUNCIONAMIENTO

## Antes de Usar

### Lista de verificación

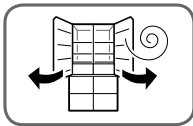


#### **Limpie el refrigerador.**

Limpie el refrigerador intensivamente y sacuda todo el polvo acumulado durante el envío.

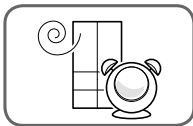
#### **⚠ PRECAUCIÓN**

- No raye el refrigerador con objetos puntiagudos ni use detergente que contenga alcohol, líquidos inflamables o abrasivos al remover cualquier cinta o adhesivo del mismo. Remueva los residuos de adhesivos borrándolos con su pulgar o detergente para platos.
- No despegue la etiqueta de número de serie, modelo o información técnica del panel trasero del refrigerador.



#### **Abra las puertas del refrigerador y los estantes del congelador para ventilar el interior.**

El interior del refrigerador puede oler a plástico al inicio. Remueva toda cinta adhesiva del interior del refrigerador y abra las puertas del refrigerador y los estantes del congelador para ventilación.

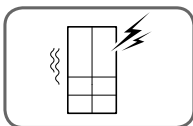


#### **Espere a que el refrigerador enfríe.**

Permita que el refrigerador funcione por al menos dos o tres horas previo a colocar alimentos en él. Verifique el flujo de aire frío en el compartimento del congelador para asegurar el enfriado adecuado.

#### **⚠ PRECAUCIÓN**

- Si coloca alimentos en el refrigerador previo a que este haya enfriado puede causar que los alimentos se echen a perder o que un mal olor permanezca en su interior.



#### **El refrigerador hace un sonido fuerte luego de la operación inicial.**

Esto es normal. El volumen disminuirá conforme la temperatura baje.

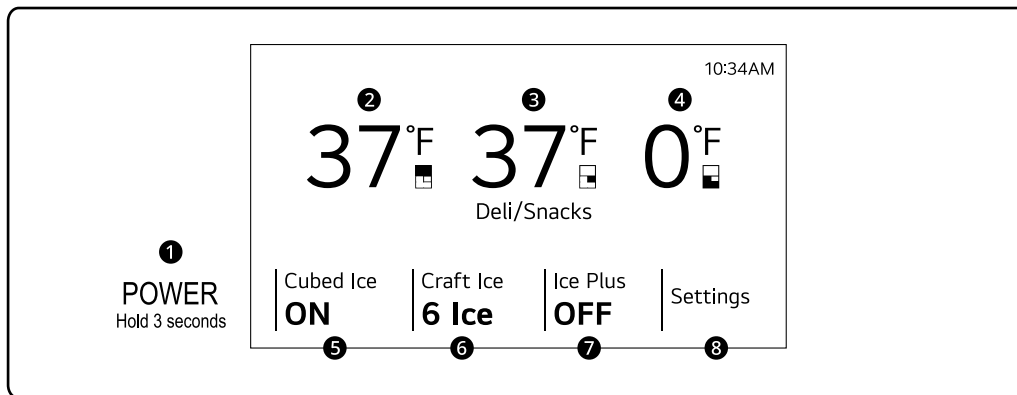


## Panel de control

Según el modelo, es posible que algunas de las siguientes funciones no estén disponibles.

El panel de control real podría variar entre modelo y modelo.

### Funciones del panel de control



#### 1 POWER

El botón **POWER** apaga toda energía eléctrica de la unidad.

Presione y mantenga el botón **POWER** presionado durante 3 segundos. Cuando la energía está apagada, el monitor está apagado. No hay necesidad de apagar la energía en el disyuntor o receptáculo de pared. Use esta función para servicios o vacaciones extendidas.

#### 2 Temperatura del refrigerador

Indica la temperatura del compartimento del refrigerador configurada en Celsius (°C) o Fahrenheit (°F). La temperatura predeterminada del refrigerador es de 37 °F (3 °C). Presione la temperatura y luego presione **▲** / **▼** para seleccionar una nueva temperatura desde 33 °F hasta 43 °F (1 °C hasta 7 °C).

#### 3 Temperatura del cajón convertible

Temperatura de almacenamiento variable que puede establecerse en una temperatura más fría o más caliente que la del refrigerador. Almacene la carne y los mariscos a 30 °F (-1 °C), bebidas frías a 33 °F (1 °C), refrigerios a 37 °F (3 °C) o vinos fríos a 41 °F (5 °C).

Para usar el cajón convertible como congelador, presione **▼** repetidamente para seleccionar **Freezer**. Por ejemplo, si el congelador está en 0 °F (-18 °C), entonces 0 °F (-18 °C) aparece de manera automática en el monitor.

Una vez que el cajón convertible está en modo congelador, su temperatura coincide con la temperatura del congelador. Cambiar la temperatura del congelador cambia automáticamente la temperatura del cajón.

#### 4 Temperatura del congelador

Indica la temperatura del compartimento del congelador configurada en Celsius (°C) o Fahrenheit (°F). La temperatura predeterminada del congelador es de 0 °F (-18 °C). Presione la temperatura y luego presione **▲** / **▼** para seleccionar una nueva temperatura desde 7 °F hasta 5 °F (-23 °C hasta -15 °C).

### NOTA

- Para cambiar el modo de temperatura de °F a °C (o viceversa), presione **Settings** y luego presione **Temperature Unit**.
- La temperatura mostrada es la temperatura objetivo y no la temperatura actual del refrigerador. La temperatura actual del refrigerador depende de los alimentos dentro de él.

#### 5 Cubed Ice

Presione **ON** u **OFF** debajo de **Cubed Ice** para encender/apagar la máquina de hielo de **Cubed Ice**.

## 12 FUNCIONAMIENTO

### 6 Craft Ice

Presione **Craft Ice** para seleccionar entre los modos **3 Ice**, **6 Ice** y **Off**.

- Para apagar la máquina de hielo **Craft Ice**, seleccione el modo **Off** (Apagado).
- Para encender la máquina de hielo **Craft Ice**, seleccione el modo **3 Ice** o **6 Ice**.

### NOTA

- Para obtener más hielo, seleccione el modo **6 Ice**. Para un hielo más claro, seleccione el modo **3 Ice**.

### 7 Ice Plus

Esta función incrementa tanto la producción de hielo como la capacidad de congelamiento.

- Presione **OFF** debajo de **Ice Plus** para encender el modo **Ice Plus** y activar la función por 24 horas. La función se desactiva automáticamente después de 24 horas.
- Desactive la función de manera manual presionando **ON** debajo de **Ice Plus**.

### 8 Settings

Ajuste las configuraciones después de la configuración inicial.

- Lista de configuraciones

**Water Filter, Wi-Fi, Control Lock, Temperature Unit, Date, Time, Clock Theme, Brightness, Smart Grid, Sabbath, Smart Diagnosis, Service Call**

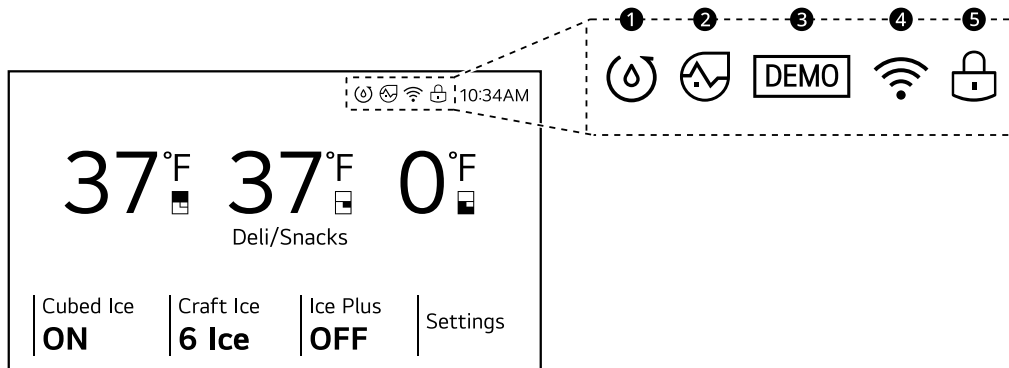
### NOTA


#### Modo de Demostración (Únicamente para uso de tiendas)





- El **Modo de Demostración** desactiva todo el enfriamiento en las secciones del refrigerador y del congelador para conservar energía mientras se exhibe en una tienda minorista.
  - Para desactivar/activar:  
Presione **Settings** y luego presione **Brightness**. Golpee la esquina derecha superior de la pantalla 15 veces. Luego, aparece "**Demo mode is off**" y el icono de Modo de Demostración desaparece en la parte superior derecha de la pantalla. Use el mismo procedimiento para activar el Modo de Demostración.

### Iconos de visualización

Los iconos aparecen en la pantalla cuando están activados.



	<p><b>1 Water filter</b> Aparece cuando el filtro de agua necesita ser reemplazado.</p>
---	---

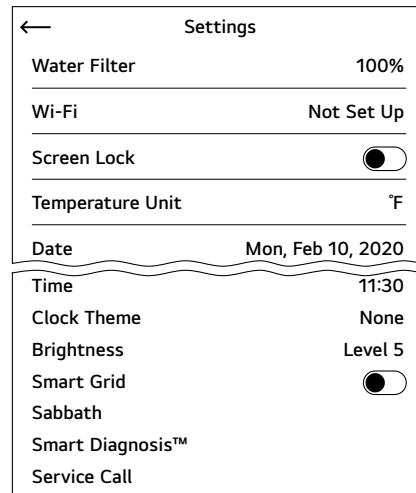
 Grid	<p><b>2 Smart Grid</b></p> <ul style="list-style-type: none"> <li>• Aparece cuando la función Red Inteligente está encendida.</li> <li>• Aparece cuando el refrigerador está respondiendo a un mensaje de Demanda de Respuesta (DR) de la compañía eléctrica</li> </ul>
	<p><b>3 Demo Mode (Únicamente para uso de tiendas)</b> Aparece cuando el Modo de Demostración está encendido.</p>
	<p><b>4 Wi-Fi</b> Aparece cuando el refrigerador está conectado a Wi-Fi.</p>
	<p><b>5 Screen Lock</b> Aparece cuando el Bloqueo de pantalla está encendido.</p>

### Cómo comenzar

Después de encender el refrigerador por primera vez, ajuste las configuraciones según sus preferencias.

- 1 Establezca la fecha. Luego presione **NEXT**.
- 2 Establezca la hora. Luego presione **NEXT**.
- 3 Seleccione el tema del reloj. Luego presione **NEXT**.
- 4 La pantalla principal aparece en el monitor.

Deslícese por la pantalla para navegar por las pantallas de Configuración.



### Configuración

Para ajustar las configuraciones después de la configuración inicial, presione **Settings** en la parte inferior derecha de la pantalla principal.

### Filtro de agua

La vida útil restante del filtro se mostrará como un porcentaje del 100 % al 0 %. Restablezca la vida útil del filtro después de reemplazar el filtro de agua.

### Cómo restablecer la vida útil del filtro

- 1 Presione **Settings** en la parte inferior derecha de la pantalla principal. Aparece la vida útil restante del filtro.
- 2 Para reemplazar el filtro de agua, consulte **Cómo reemplazar el filtro de agua**.
- 3 Presione **RESET** después de reemplazar el filtro de agua.


## 14 FUNCIONAMIENTO

- La vida útil restante del filtro cambia al 100 %.

### Wi-Fi

Conecte el electrodoméstico a una red de Wi-Fi doméstica para usar las funciones inteligentes. Consulte la sección de **Funciones inteligentes** para obtener más información.

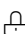
### Configurar el Wi-Fi

- Presione **Settings** en la parte inferior derecha de la pantalla principal y luego presione **Wi-Fi**.
- Presione **Set Up Wi-Fi**.
- Siga las instrucciones que aparecen en pantalla.
- Si se desconecta Wi-Fi, el icono de Wi-Fi  aparece en la parte superior de la pantalla.
  - Si el estado de Wi-Fi es **Disconnected**, presione **Wi-Fi** y luego presione **Reset Wi-Fi** y siga nuevamente las instrucciones.

### Bloqueo de pantalla

La función Bloqueo de pantalla evita automáticamente que se enciendan controles.

### Lock (Bloqueo)

- Presione **Settings** en la parte inferior derecha de la pantalla principal.
- Encienda el interruptor de palanca del Bloqueo de pantalla.
- Cuando se enciende el Bloqueo de pantalla, el icono de bloqueo  aparece en la parte superior del monitor.

### Desbloquear

- Presione cualquier parte de la pantalla mientras el Bloqueo de pantalla está encendido.

- Aparece una pantalla emergente. Presione **Unlock** durante 3 segundos.

- El icono de bloqueo desaparece de la parte superior de la pantalla.

### Unidad de temperatura

Establezca la pantalla de temperatura para mostrar unidades en Fahrenheit o Celsius.

La configuración predeterminada del refrigerador es en Fahrenheit a menos que el usuario la cambie.

### Cómo configurar las unidades de temperatura

- Presione **Settings** en la parte inferior derecha de la pantalla principal y luego presione **Temperature Unit**.
- Seleccione °F o °C.

### Fecha y hora

La fecha y hora se muestran en la pantalla al configurar el tema del reloj en **Time and Date**.

### Configuración de la fecha

- Presione **Settings** en la parte inferior derecha de la pantalla principal y luego presione **Date**.
- Presione **^ / v** para fijar la fecha correcta.
- Presione atrás (←) para aplicarla.

### Configuración de la hora del día

- Presione **Settings** en la parte inferior derecha de la pantalla principal y luego presione **Time**.
- Configure **Time Format**, **Current Time** o **Daylight Saving Time**.
  - Time Format**
    - Seleccione un modo de reloj de 12 horas o de 24 horas (12 h/24 h).

- **Current Time**

- Establezca la hora y minutos correctos.
- Si está conectado a Wi-Fi, la hora actual se establece en **Auto**.

- **Daylight Saving Time**

- Cuando está habilitada la función, se agrega una hora a la hora original.
- En el modo Automático, se activa **Daylight Saving Time** automáticamente.

**3** Presione atrás (←) para aplicarla.

## Tema de reloj

La configuración predeterminada es **None**. El reloj se muestra en la pantalla principal del monitor.

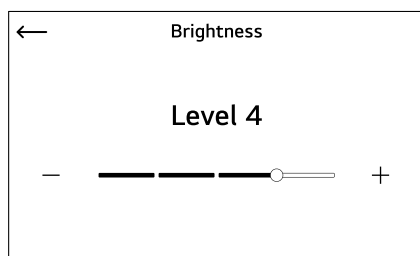
- 1** Presione **Settings** en la parte inferior derecha de la pantalla principal y luego presione **Clock Theme**.
- 2** Seleccione un tema de reloj y presione **OK**.

## Brillo

Ajuste el brillo del monitor LCD del Nivel 1 al 5.

### Cómo configurar el brillo del monitor

- 1** Presione **Settings** en la parte inferior derecha de la pantalla principal y luego presione **Brightness**.
- 2** Ajuste el brillo del monitor presionando y arrastrando el punto por la barra, tocando cualquier parte de la barra o presionando **+** o **-**.



## Smart Grid (Red inteligente)

La función Smart Grid (Red Inteligente) solo está disponible si su compañía de servicio eléctrico admite la función.

### Configurar la red inteligente

- 1** Presione **Settings** en la parte inferior derecha de la pantalla principal y luego presione **Smart Grid**.
- 2** Encienda el interruptor de palanca de **Use Smart Grid**.

#### NOTA

- La función se enciende automáticamente cuando el refrigerador está conectado a la red Wi-Fi.
- Cuando la función está encendida y el refrigerador recibe una señal de Respuesta bajo Demanda (DR) de la compañía de servicios públicos, se activa **Cancel responding**. Para desconectar la señal de Respuesta bajo Demanda (DR), presione **Cancel responding**.

## Smart Diagnosis™

Smart Diagnosis™ se puede usar para diagnosticar problemas con el producto según sus patrones de uso. Smart Diagnosis™ se puede ejecutar a través de una aplicación de teléfono inteligente o llamando para recibir ayuda.

### Use Smart Diagnosis

- 1** Presione **Settings** en la parte inferior derecha de la pantalla principal y luego presione **Smart Diagnosis**.
- 2** Presione **START**.

## Llamada de servicio

**Service Call** ofrece servicio de garantía e información adicional.

Presione **Settings** en la parte inferior derecha de la pantalla principal y luego presione **Service Call**.

## 16 FUNCIONAMIENTO

### Modo Sabbath

Esta característica solamente está disponible en algunos modelos.

#### Modo Sabbath

El modo Sabbath es utilizado en el Sabbath y las festividades judías.

- Para encender el modo Sabbath, presione **Settings** y luego presione **Sabbath**. Presione **START**.
- Para apagar el modo Sabbath manualmente, toque cualquier parte de la pantalla y presione **OK**.

#### NOTA

- El modo Sabbath se desactiva automáticamente después de 96 horas.
- Una vez encendido, el modo Sabbath se mantendrá activo incluso si ocurre un apagón.
- Al seleccionar el modo Sabbath, las funciones de luz y alarma se apagan automáticamente.
- El dispensador y la máquina de hielo están deshabilitados en el modo Sabbath, en los modelos aplicables.

### Dispensador de Agua

#### ⚠ ADVERTENCIA

- Conecte únicamente a un suministro de agua potable.

#### Antes de utilizar el dispensador de agua

#### ⚠ PRECAUCIÓN

- Mantenga a los niños alejados del dispensador. Pueden jugar o dañar los controles.
- Si inesperadamente se dispensa agua, apague el suministro de agua y contacte al Centro de Información al Cliente de SIGNATURE KITCHEN SUITE.
- Luego la instalación, dispense 2.5 galones de agua (deje correr el agua por aproximadamente 5 minutos) para remover el aire atrapado y los contaminantes del sistema.
- Nunca use un vaso que sea excepcionalmente puntiagudo o filoso.

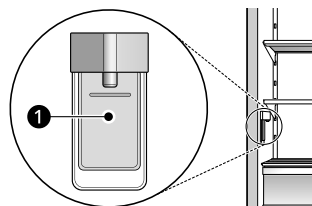
- No cuelgue ni coloque objetos pesados en el dispensador del electrodoméstico.

#### NOTA

- El agua dispensada en el primer uso puede incluir partículas u olor provenientes de la línea de suministro o el tanque de agua. Esto también es necesario si el refrigerador no se ha usado por un largo tiempo.
- Algo de goteado puede ocurrir luego de dispensar. Sostenga la taza debajo del dispensador por algunos segundos luego de dispensar para que esta recoja todas las gotas.
- Mantenga los contenedores a una distancia apropiada del dispensador. Un contenedor con una apertura muy pequeña debe sostenerse lo más cerca posible del dispensador para evitar derrames.

#### Uso del dispensador de agua

Presione la palanca del dispensador ❶ con un vaso u otro recipiente para dispensar agua.



### Máquina de Hielo Automática

#### ⚠ ADVERTENCIA

- NO introduzca los dedos en el mecanismo de fabricación automática de hielo con el refrigerador enchufado.
- Evite el contacto con las partes móviles del mecanismo eyector o con el elemento de calor que dispensa los cubos de hielo.
- Conecte únicamente a un suministro de agua potable.

## Antes de utilizar la máquina de hielo del congelador.

### ⚠ PRECAUCIÓN

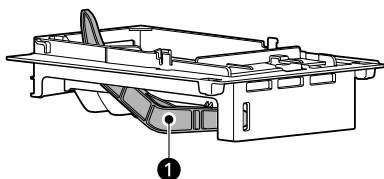
- Mantenga las manos y herramientas fuera del compartimento de hielo. Si no lo hace, puede causar daños o lesiones personales.
- Deseche las primeras tandas de hielo producido luego de la instalación. Esto también es necesario si el congelador no se ha usado por un largo tiempo.
- Nunca almacene latas de bebidas u otros artículos en el contenedor de hielo con el propósito de rápido enfriamiento. Hacerlo puede dañar el dispensador de hielo o causar la explosión de los contenedores.

### NOTA

- La máquina de hielo comienza a producir hielo aproximadamente 12 horas después de la instalación inicial del electrodoméstico.
- Deseche las primeras series de hielo después de la instalación.
- Es normal escuchar el sonido del hielo cayendo en el recipiente.
- Si el recipiente de hielo está completamente lleno, la producción de hielo se detendrá.
- La cantidad y la forma del hielo podrían variar de acuerdo con el ambiente (temperatura ambiente alrededor del electrodoméstico, frecuencia con la que se abre la puerta, cantidad de alimentos almacenados en el electrodoméstico, presión del agua, etc.).
- Si se produce un apagón, deseche el hielo almacenado en el recipiente de hielo.

## Máquina de hielo del congelador (cubos de hielo)

Esta característica solamente está disponible en algunos modelos.



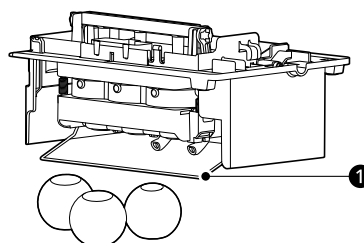
1 Brazo Sensitivo

### NOTA

- Esta máquina de hielo automática del congelador produce 12 cubos a la vez, 50-110 cubos en un periodo de 24 horas si las condiciones son favorables. Esta cantidad podría variar de acuerdo al ambiente (temperatura ambiente alrededor del electrodoméstico, frecuencia con la que se abre la puerta, cantidad de alimentos almacenados en el electrodoméstico, etc.).
- Los cubos de hielo que se almacenen en el recipiente por un largo periodo de tiempo podrían amontonarse y esto le podría dar dificultades al separarlos. Si esto sucede, vacíe completamente el recipiente de hielo y límpielo antes de re-lugarlo.

## Máquina de hielo del congelador (Craft Ice™)

Esta característica solamente está disponible en algunos modelos.



1 Brazo Sensitivo

### NOTA

- La máquina de hielo comienza a producir hielo aproximadamente 48 horas después de la instalación inicial del electrodoméstico. Es posible que en las primeras series de hielo, este no sea cilíndrico ni transparente.
- Luego de la instalación o el reemplazo del filtro de agua, las primeras series de hielo pueden ser semicirculares o contener burbujas de aire.
- Si la presión del agua es menor a 20 psi (138 kPa) o se utiliza un sistema de osmosis inverso, puede variar la forma del hielo.
- El hielo puede lucir turbio según la calidad del agua en la ubicación de la instalación y de las condiciones de funcionamiento.
- Deseche todos los fragmentos de hielo que pueda encontrar en el recipiente de hielo porque se pueden adherir al hielo allí almacenado.

## 18 FUNCIONAMIENTO

### NOTA

- Después de un breve apagón, se tardará más en hacer la primera serie de hielo y es posible que no sea cilíndrico. Si se corta la energía por un período de tiempo más largo, deseche el hielo almacenado en el recipiente.
- La máquina de hielo **Craft Ice** produce 1 serie de hielo cilíndrico (3 piezas) a la vez.
- En el modo **3 Ice**, la máquina de hielo **Craft Ice** produce 1 serie de hielo cilíndrico (3 piezas) cada 24 horas. En el modo **6 Ice** la máquina de hielo **Craft Ice** produce 2 series de hielo cilíndrico (6 piezas) en el mismo período.
- Para obtener más hielo, seleccione el modo **6 Ice**. Para un hielo más claro, seleccione el modo **3 Ice**.
- El tiempo necesario para la elaboración del hielo puede variar según las condiciones de funcionamiento.
- El recipiente de hielo almacena de 20 a 30 piezas de hielo cilíndrico.

### Encendido y apagado del dispensador de hielo

Para encender/apagar la máquina de hielo, consulte Panel de control en la sección de Operación.

### Sonidos Normales Que Puede Escuchar

- Mantener el dispensador de hielo encendido previo a conectar la línea de agua podría dañarlo.
- Escuchará el sonido del hielo cayendo en el contenedor y del agua corriendo por la tubería mientras el dispensador de hielo se llena nuevamente.
- La válvula de agua de la máquina de hielo genera un zumbido mientras esta se llena de agua. Si la máquina de hielo está encendida, generará un zumbido incluso si no tiene conectada el agua.

Para detener el zumbido:

- Apague la máquina de hielo al consultar el Panel de control en la sección de Operación.

### Preparando para Vacaciones

Apague la máquina de hielo y cierre el suministro de agua del refrigerador.

Para apagar la máquina de hielo, consulte Panel de control en la sección de Operación.

### NOTA

- El contenedor de hielo debe estar vacío cada vez que la máquina de hielo se apague.

Si la temperatura ambiente cae al punto de congelación, contacte a un técnico calificado para drenar el sistema de suministro de agua y así prevenir serios daños a la propiedad debido a inundaciones causadas por la ruptura de líneas de agua o conexiones.

### Almacenando Alimentos

### NOTA

- Si se va de su hogar por un período breve, como unas vacaciones cortas, el refrigerador debe dejarse encendido.
- Si dejará el refrigerador apagado por un período largo de tiempo, saque toda la comida y desconecte el cable de corriente. Limpie el interior y deje la puerta abierta para prevenir la formación de hongos en el refrigerador.
- Si las puertas se abren y cierran muy a menudo, el aire caliente puede ingresar en el refrigerador y elevar su temperatura. Esto puede incrementar los gastos de funcionamiento de la unidad.

### Consejos de Almacenamiento de Alimentos

Envuelva o almacene alimentos en el refrigerador en materiales herméticos y a prueba de humedad a menos que se indique lo contrario. Esto previene que el olor y sabor de los alimentos se transfiera a través del refrigerador. Para productos con fecha de caducidad, revise las fechas para asegurar su frescura.

### ⚠ PRECAUCIÓN

- No llene ni envase en exceso los alimentos en los compartimentos de la puerta. Esto podría dañar el compartimento o provocar lesiones personales al retirar los alimentos aplicando una fuerza excesiva.
- No almacene contenedores de vidrio en el congelador. Al congelarse, los contenidos



pueden expandirse, romper el contenedor y provocar lesiones.

## Cómo guardar los alimentos

- Manteca o Margarina
  - Mantenga manteca abierta en un plato cerrado o compartimento cerrado. Cuando almacene suministros adicionales, envuélvalos en empaquetado de congelado y congele.
- Queso
  - Almacene en empaquetado original hasta que se use. Una vez abierto, reempaque ajustadamente en envoltorio plástico o papel aluminio.
- Leche
  - Limpie las cajas de leche. Para leche más fría coloque los contenedores en un estante interior.
- Huevos
  - Almacene en cartón original en el estante interior; no, en el contenedor de la puerta.
- Fruta
  - No lave o pele fruta hasta que esté lista para ser usada. Organice y mantenga la fruta en el cajón de verduras en sus contenedores originales, o almacénelas en bolsas de papel completamente cerradas en el estante del refrigerador.
- Vegetales Frondosos
  - Remueva el empaquetado de la tienda, recorte o arranque áreas descoloridas y dañadas, lave en agua fría y escurra. Coloque en bolsas o contenedores plásticos y almacene en el cajón de verduras.
- Vegetales con piel (zanahorias, pimientos)
  - Coloque en bolsas o contenedores plásticos y almacene en el cajón de verduras.
- Pescado
  - Congele pescado fresco y mariscos si éstos no son consumidos el mismo día de la compra. Es recomendable comer pescado fresco y mariscos el mismo día de la compra.
- Restos de comida
  - Cubra los restos de comida con envoltorio plástico o papel aluminio, o almacénelos en contenedores plásticos con tapas ajustadas.

### NOTA

- Si se ausentará de casa por un corto período de tiempo, como unas pequeñas vacaciones, el refrigerador debe dejarse encendido. La comida

refrigerada que pueda ser congelada se preservará por más tiempo si es almacenada en el congelador.

- Si dejará el refrigerador apagado por un período largo de tiempo, saque toda la comida y desconecte el cable de corriente. Limpie el interior y deje la puerta abierta para prevenir la formación de hongos en el refrigerador.
- No almacene alimentos con contenido muy húmedo cerca del área superior del refrigerador. La humedad podría entrar en contacto directo con el aire frío y congelarse.
- Lave los alimentos previo a almacenarlos en el refrigerador. Frutas y vegetales deben ser lavados, y empaques de alimentos deben ser limpiados para evitar que alimentos cercanos sean contaminados.
- Si el refrigerador se mantiene en un lugar caliente y húmedo, abrir frecuentemente la puerta o almacenar muchos vegetales en el refrigerador podría causar la formación de condensación. Limpie la condensación con un paño limpio o una toalla de papel.
- Si la puerta del refrigerador se abre y cierra con frecuencia, el aire caliente puede penetrar y elevar su temperatura. Esto puede incrementar los gastos de funcionamiento de la unidad.

## Almacenando Alimentos Congelados

Revise una guía de congelado o un libro de cocina confiable para mayor información acerca del preparado de alimentos para congelado o tiempos de almacenamiento.

### Congelando

Su congelador no congelará rápidamente una gran cantidad de alimentos. No coloque más alimentos descongelados en el congelador que los que se enfriarán durante las próximas 24 horas (no más de 2 a 3 libras de comida por pie cúbico del espacio del congelador). Deje suficiente espacio en el congelador para que circule aire alrededor de los empaquetados. Tenga cuidado de dejar suficiente espacio en la parte frontal para que la puerta pueda cerrar correctamente.

El tiempo de almacenamiento variará dependiendo de la calidad y el tipo de alimentos, el tipo de empaquetado o envoltura utilizada (cuán hermética o a prueba de humedad) y la temperatura de almacenaje. Los cristales de hielo dentro de paquetes sellados son normales. Esto simplemente significa que la humedad en la

## 20 FUNCIONAMIENTO

comida y el aire dentro del empaquetado se han condensado, creando hielos de cristal.

### NOTA

- Permita que los alimentos calientes se enfríen a temperatura ambiente por 30 minutos, y luego empaque y congele. Enfriar alimentos calientes previo a congelarlos ahorra energía.

### Empaquetado

El congelamiento exitoso dependerá del empaquetado correcto. Cuando cierre y selle el empaquetado, éste no debe permitir que entre o salga aire o humedad. Si lo hace, puede que el olor y sabor de sus alimentos se transfieran a través del refrigerador y esto puede también causar que los alimentos congelados se sequen.

### Recomendaciones de empaquetado

- Contenedores plásticos rígidos con tapas ajustadas.
  - Enlatado de lados rectos / tarros de congelamiento
  - Papel aluminio pesado
  - Papel plastificado
  - Empaques plásticos impermeables
  - Bolsas plásticas autosellables para congelador.
- Siga las instrucciones del empaque o contenedor para métodos de congelamiento apropiados.

### No use

- Envoltorios de pan
- Contenedores plásticos que no sean de polietileno
- Contenedores sin tapas ajustadas
- Papel de cera o envoltorios de congelado recubiertos de cera.
- Envoltorio delgado y semipermeable.

### Cómo almacenar comida en el cajón convertible

Toque la temperatura en el cajón convertible en la pantalla principal y seleccione las configuraciones de temperaturas disponibles. Para obtener mejores resultados, vea abajo.

- -7 °F a 5 °F (-23 °C a -15 °C)
  - Alimentos congelados
- 30 °F (-1 °C).
  - Carne y mariscos

- 33 °F (1 °C).
  - Bebidas frías
- 37 °F (3 °C).
  - Refrigerios
- 41 °F (5 °C).
  - Vino

## Cajones para verduras

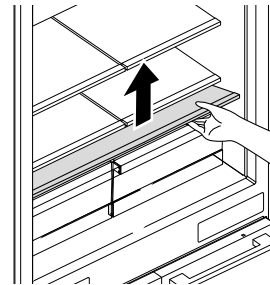
### Extracción/Ensamblaje de cajones para verduras

Para tener más espacio en el compartimento del refrigerador, retire los soportes del cajón y los estantes.

### ⚠ PRECAUCIÓN

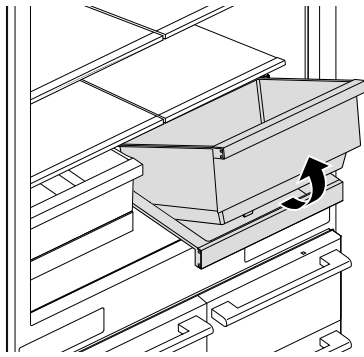
- Previo a ensamblar o desensamblar el cajón para verduras, abra la puerta del refrigerador más de 90 grados, de lo contrario, el interior de la puerta podría dañarse.

- 1 Levante el vidrio de la parte delantera y tire la cubierta hacia afuera.

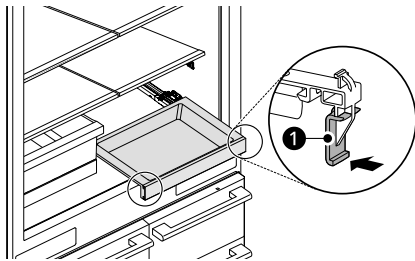


- 2 Tire el cajón para verduras hacia afuera hasta que se detenga.

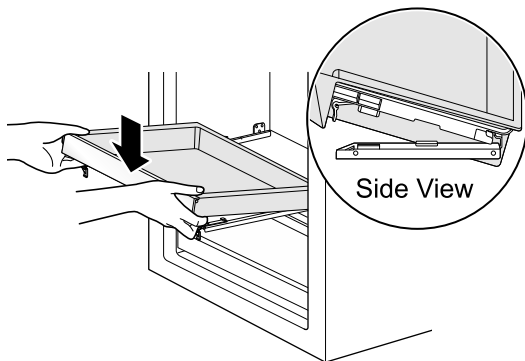
- 3 Levante la parte delantera del cajón para retirarla.



- 4 Saque el cajón de verduras.
- 5 Tire el marco del cajón hacia afuera hasta que se detenga.
- 6 Presione la palanca de liberación ❶ en cualquiera de los dos lados del marco del cajón y retire el marco del cajón.



- 7 Para ensamblar, extienda los rieles del marco del cajón hasta que se detengan.
- 8 Alinee los extremos de la base del cajón con las ranuras de cada riel, luego baje la base del cajón hasta que encaje en su lugar.



- 9 Con la parte delantera levemente inclinada hacia arriba, inserte el cajón para verduras y cubra el marco y empújelo hacia atrás en su lugar.

### ⚠ PRECAUCIÓN

- Asegúrese de que los cajones estén nivelados de un lado al otro. No hacerlo puede ocasionar que el cajón caiga o los alimentos se derramen.
- No limpie el vidrio de los cajones para verduras con agua caliente mientras estén fríos. Los cajones podrían romperse si se exponen a cambios de temperatura o impactos repentinos.
- Los cajones para verduras son pesados. Tenga especial cuidado al removerlos.

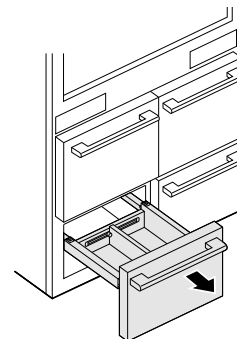
## Cajones del congelador

### Extracción/Ensamblaje del cajón del congelador y del cajón convertible

### ⚠ ADVERTENCIA

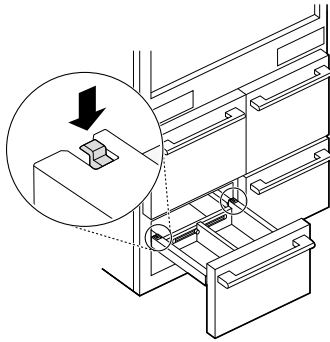
- Utilice a dos o más personas para remover e instalar el cajón.
- Sea cuidadoso de bisagras cortantes en ambos lados del estante.
- Al bajar el estante tenga cuidado de no dañar el piso.
- No se siente o pare en el cajón.
- Para prevenir accidentes, mantenga a los niños y mascotas alejadas del cajón. No deje el cajón abierto.

- 1 Para extraerlo, despliegue el cajón para extenderlo completamente.

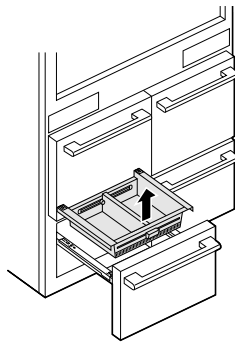


## 22 FUNCIONAMIENTO

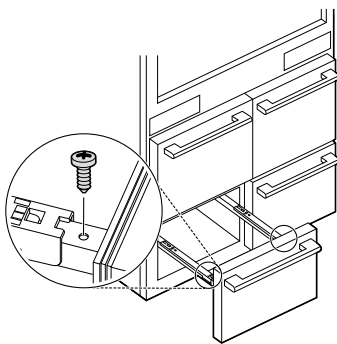
- 2** Presione el botón para liberar el tope en cualquiera de los lados.



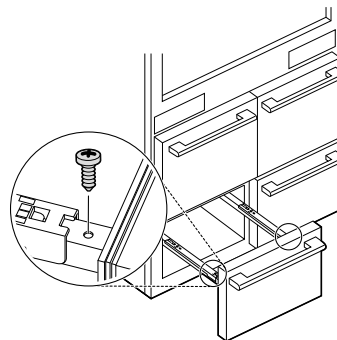
- 3** Levante la parte frontal de la cesta hacia arriba y retírela.



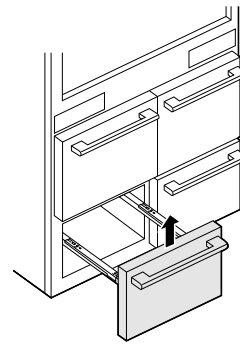
- 4** Quite los tornillos de las guías de la parte delantera.



- 5** Agarre ambos lados del estante y levántelo para removerlo de los rieles.



- 6** Para ensamblarlo, tire de ambos rieles en simultaneo hasta que se hayan extendido por completo.

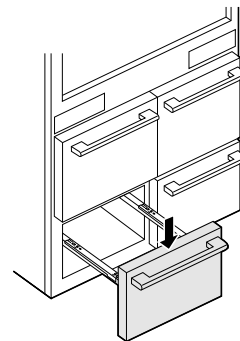


- 7** Agarre el estante a cada lado y enganche los soportes del mismo a las pestañas ubicadas a ambos lados de los rieles.

### **⚠ PRECAUCIÓN**

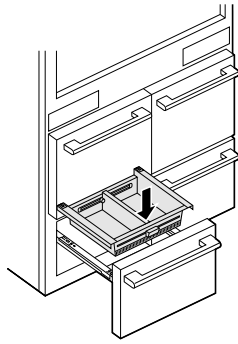
- No sujete el agarrador mientras remueve o reemplaza el estante. El agarrador puede caerse y causar una herida personal.

- 8** Baje la puerta a su posición final y asegure los tornillos localizados en ambos lados.

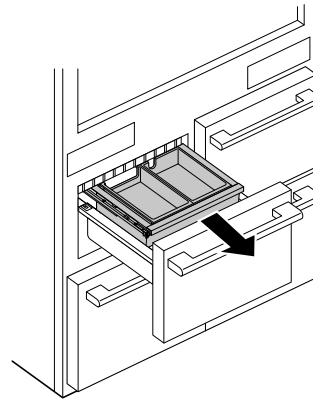


- 9** Inserte la cesta en el marco.

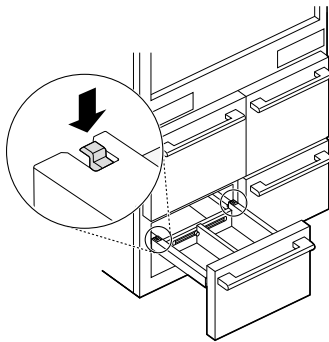




**10** Presione el botón para enganchar el tope en cualquiera de los lados.



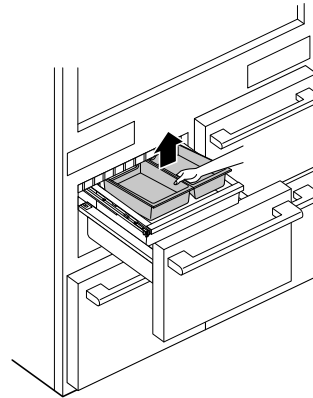
**3** Levante y retire gentilmente los recipientes de hielo.



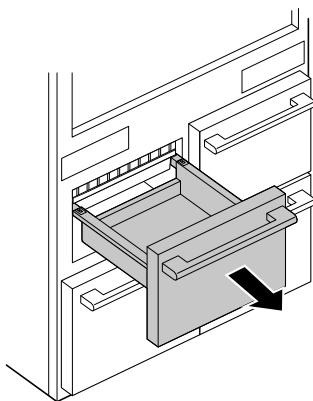
### Extraer/Ensamblar el cajón del recipiente de hielo

Para tener más espacio en el cajón del congelador, retire el cajón del recipiente de hielo.

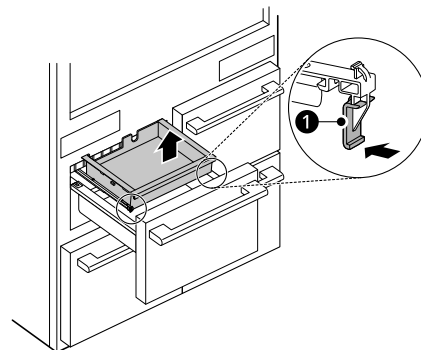
**1** Despliegue el cajón del congelador superior izquierdo para extenderlo completamente.



**4** Presione los niveladores de liberación **1** en cualquiera de los dos lados del riel y retire el cajón del recipiente de hielo.



**2** Despliegue el recipiente de hielo para extenderlo completamente.



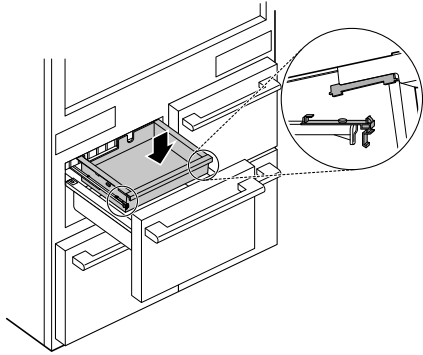
**5** Para ensamblarlo, tire de ambos rieles en simultaneo hasta que se hayan extendido por completo.

**6** Agarre el recipiente de hielo a cada lado y enganche los soportes del mismo a las

## 24 FUNCIONAMIENTO

pestañas ubicadas a ambos lados de los rieles.

- 7 Baje el cajón del recipiente de hielo a su posición final.



- 8 Reemplace los recipientes de hielo en el cajón.

### NOTA

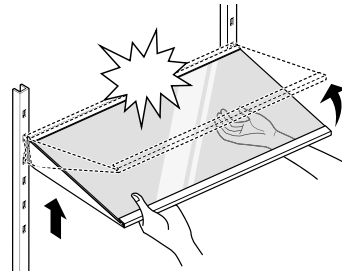
- Tenga cuidado al retirar los recipientes de hielo mientras el cajón inferior está abierto. El hielo puede desbordarse del recipiente y caerse detrás del cajón inferior del congelador, lo que puede impedir que el cajón se cierre por completo.

Para quitar el hielo de detrás del cajón inferior, desmonte los recipientes de hielo y el cajón.

- Los estantes de vidrio son pesados. Tenga especial cuidado al removerlos.

- 1 Para desprender, incline hacia arriba la parte frontal del estante y luego levántelo.

- 2 Retire el estante.

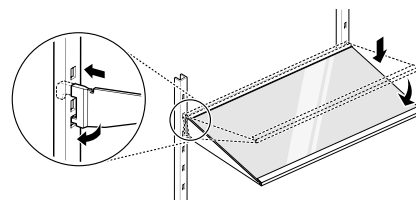


- 3 Para ensamblarlo, incline hacia arriba ligeramente la parte frontal del estante y guíe los ganchos hacia dentro de las ranuras a la altura deseada.

### ⚠ PRECAUCIÓN

- Para evitar daños al conducto múltiple, no incline la parte frontal del estante demasiado hacia arriba al ensamblar o desensamblar.

- 4 Baje el frente del estante para que los ganchos caigan dentro de las ranuras.



## Estantes

### Extracción/ensamblaje del estante

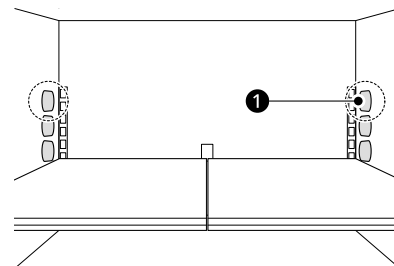
Los estantes del refrigerador son ajustables para satisfacer sus necesidades personales de almacenamiento.

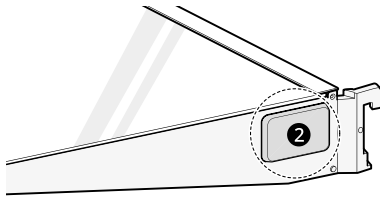
Ajustar los estantes para que quepan artículos de diferentes tamaños hará más fácil la búsqueda de artículos específicos.

### ⚠ PRECAUCIÓN

- Asegúrese de que los estantes estén nivelados de un lado al otro. No hacerlo puede ocasionar que el estante caiga o los alimentos se derramen.
- No limpie los estantes de vidrio con agua caliente mientras estén fríos. Los estantes podrían romperse si se exponen a cambios de temperatura o impactos repentinos.

### NOTA

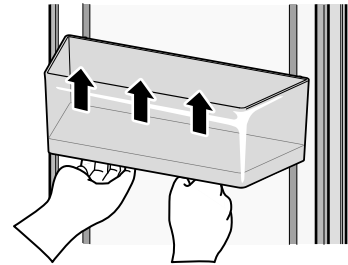




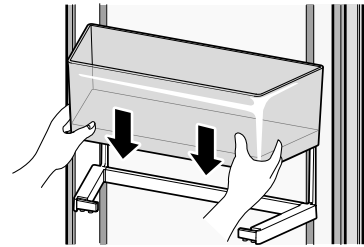
**1** Transmisor

**2** Receptor

- La presencia de objetos extraños y suciedad entre el estante y la pared del gabinete interno podría impedir que se encienda la luz del estante.
- La luz del estante se enciende cuando la puerta se abre.
- La luz del estante se apaga después de siete minutos o cuando la puerta se cierra.
- Los estantes divididos son específicos para el lado derecho e izquierdo y no son intercambiables.



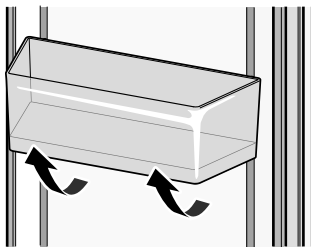
- 2** Para ensamblar el contenedor de la puerta, ajuste ambos lados del compartimento con las guías y empuje el compartimento hacia abajo hasta que encaje en su lugar.



## Contenedores de la Puerta

### Cómo usar contenedores de puerta

Para ajustar la posición del contenedor, sostenga la parte inferior del contenedor en ambos extremos y levántelo o bájelo.



### ⚠ PRECAUCIÓN

- Desprenda regularmente y lave los recipientes y estantes de almacenamiento; estos pueden contaminarse fácilmente por los alimentos.
- No aplique fuerza en exceso mientras desprende o ensambla los recipientes de almacenamiento.
- No use lava platos para limpiar los recipientes y estantes de almacenamiento.

### Desprende/ensamblando los contenedores de las puertas

Los contenedores de la puerta son removibles para limpieza y ajuste fácil.

- 1** Para desmontar los contenedores de la puerta, sostenga la guía para que el contenedor no se pueda mover y golpee la parte inferior derecha del contenedor 2 o 3 veces.

## 26 FUNCIONES INTELIGENTES

# FUNCIONES INTELIGENTES

## Aplicación LG ThinQ

Esta característica solo está disponible en modelos con Wi-Fi.

La aplicación **LG ThinQ** le permite comunicarse con el electrodoméstico usando un teléfono inteligente.

### Funciones de la aplicación LG ThinQ

† Esta característica solamente está disponible en algunos modelos.

- **Smart Care+<sup>†</sup>**
  - Ofrece una experiencia más personalizada basada en un análisis de sus patrones de uso.
- **Smart Sabbath<sup>†</sup>**
  - Activa o desactiva el modo Sabbath y configura la programación para la activación del modo.
- **Monitoreo de energía<sup>†</sup>**
  - Esta función lleva un registro del consumo de energía del refrigerador y la cantidad de veces que se abrió la puerta.
- **Control Remoto<sup>†</sup>**
  - Controla la temperatura del refrigerador, el filtro de aire y la función Ice Plus desde la aplicación para teléfonos inteligentes.
- **Mensajes Push<sup>†</sup>**
  - Si la puerta permanece abierta durante más de diez minutos, recibirá un mensaje automático. También recibirá un mensaje automático cuando la función Ice Plus finalice.
- **Smart Diagnosis<sup>TM</sup>**
  - Esta función brinda información útil para diagnosticar y resolver problemas con el producto conforme a su patrón de uso.
- **Configuración**
  - Le permite ajustar varias opciones en el refrigerador y en la aplicación.

### NOTA

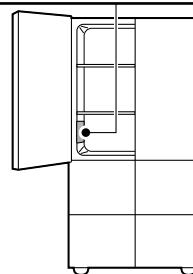
- Si cambia de enrutador inalámbrico, proveedor de Internet, o contraseña, borre el electrodoméstico conectado a la aplicación **LG ThinQ** y proceda a conectarlo de nuevo.
- Esta información está actualizada en el momento de su publicación. La aplicación está

sujeta a cambios, con fines de mejorar el producto, sin previo aviso a los usuarios.

## Instalación de la aplicación LG ThinQ y conexión de un electrodoméstico LG

### Modelos con código QR

Escanee el código QR que trae el producto con la cámara o una aplicación lectora de códigos QR en su teléfono inteligente.



### Modelos sin código QR


- 1 Busque la aplicación **LG ThinQ** en la tienda Google Play o Apple App Store e instálela en su teléfono inteligente.
- 2 Ejecute la aplicación **LG ThinQ** e inicie sesión con su cuenta actual, o cree una cuenta LG para iniciar sesión.
- 3 Pulse el botón Agregar (+) en la aplicación **LG ThinQ** para conectar su electrodoméstico LG. Siga las instrucciones en la aplicación y complete el proceso.

### NOTA

- Para verificar la conexión Wi-Fi, revise que el indicador de Wi-Fi en el panel de control esté encendido.
- El electrodoméstico funciona únicamente con redes Wi-Fi de 2.4 GHz. Contacte a su proveedor



de servicios de internet o verifique el manual del enrutador inalámbrico para revisar la frecuencia de su red.

- **LG ThinQ** no es responsable por ningún problema de conexión en red, falla, mal funcionamiento o error causado por la conexión de red.
- El entorno inalámbrico circundante puede hacer que el servicio de red inalámbrica funcione lentamente.
- Si la distancia entre el electrodoméstico y el enrutador inalámbrico es muy grande, la señal será débil. Probablemente le tome más tiempo conectarse o no pueda instalar la aplicación.
- Si el aparato tiene problemas para conectarse a la red Wi-Fi, es posible que se encuentre demasiado lejos del router. Adquiera un repetidor Wi-Fi (extensor de alcance) para mejorar la intensidad de la señal Wi-Fi.
- Es posible que la conexión de red no funcione bien por cuestiones relacionadas con su proveedor de servicios de Internet.
- Es posible que la conexión Wi-Fi no se conecte o se interrumpa debido al entorno de la red doméstica.
- Si no se puede conectar el electrodoméstico por problemas con la transmisión de la señal inalámbrica, desconéctelo y espere alrededor de un minuto previo a intentarlo de nuevo.
- Si el cortafuegos de su enrutador inalámbrico está activado, desactívelo o añada una excepción a éste.
- El nombre de la red inalámbrica (SSID) debe ser una combinación de letras y números. (No utilice símbolos especiales)
- Puede que la interfaz del usuario del teléfono inteligente (UI) varíe dependiendo del sistema operativo del móvil (os) y del fabricante.
- Puede que la configuración de red falle si el protocolo de seguridad del enrutador está en **WEP**. Cambie el protocolo de seguridad por otro (es recomendado el **WPA2**) y conecte el producto de nuevo.
- Para desactivar la función Wi-Fi, apague el conmutador de **Use Wi-Fi**. El icono  se apagará.
- Para volver a conectar el electrodoméstico o agregar otro usuario, presione **Settings** en la parte inferior derecha de la pantalla principal y luego presione **Reset Wi-Fi**. Ejecute la aplicación **LG ThinQ** y siga las instrucciones en ella para conectar el electrodoméstico.

## Especificaciones del equipo de radio

Tipo	Rango de frecuencia	Rango de frecuencia (Máx.)
Wi-Fi	2412 - 2462 MHz	< 30 dBm
Bluetooth	2402 - 2480 MHz	< 30 dBm

ESPAÑOL

## Declaración de la FCC

Este equipo ha sido probado y cumple con los límites para un dispositivo digital de Clase B, de acuerdo con la parte 15 de las Reglas de la FCC para el módulo transmisor y la parte 18 de las Reglas de la FCC para este equipo. Estos límites están diseñados para ofrecer una protección razonable contra interferencias dañinas en una instalación residencial. Este equipo genera, usa, y puede emitir energía de radiofrecuencia y, si no se instala y utiliza de acuerdo con las instrucciones, podría causar interferencias dañinas a las comunicaciones por radio.

Sin embargo, no se garantiza que dicha interferencia no pueda ocurrir en instalaciones particulares. Si este equipo causa interferencia dañina a la recepción de radio o televisión, que se puede determinar encendiendo y apagando el equipo, se aconseja al usuario intentar corregir la interferencia realizando alguna de las siguientes acciones:

- Reorientar o reubicar la antena receptora.
- Aumentar la separación entre el equipo y el receptor.
- Conectar el equipo a una toma de corriente en un circuito diferente del utilizado por el receptor.
- Consultar al vendedor o a un técnico de radio/TV con experiencia para solicitar ayuda.

Este dispositivo (el módulo transmisor contenido en este producto) cumple con la parte 15 de las Reglas FCC. La operación está sujeta a las siguientes dos condiciones:

- (1) Este dispositivo no debe causar interferencia dañina, y
- (2) Este dispositivo debe aceptar cualquier interferencia recibida, incluso aquellas que pudieran causar un funcionamiento no deseado del dispositivo.

Cualquier cambio o modificación en la construcción de este dispositivo, que no cuente con la aprobación expresa de la parte responsable del cumplimiento, puede anular la autorización del usuario para operarlo.

## 28 FUNCIONES INTELIGENTES

### Declaración sobre exposición a la radiación de RF de la FCC

Este equipo cumple con los límites de exposición a la radiación de la FCC establecidos para entornos no controlados. Este transmisor no se debe ubicar ni operar junto con ninguna otra antena ni transmisor.

El equipo se debe instalar y operar con una distancia mínima de 20 cm (7.8 pulg.) entre la antena y su cuerpo. Los usuarios deben seguir las instrucciones de operación específicas de manera tal de cumplir con las normas de exposición a la RF.

### Declaración de Industry Canada

Este dispositivo contiene transmisores/receptores exentos de licencia que cumplan con las RSS de innovación, ciencia y desarrollo económico exentas de licencia de Canadá. Su funcionamiento queda sujeto a las siguientes condiciones:

- (1) Este dispositivo no debe causar interferencia.
- (2) Este dispositivo debe aceptar cualquier interferencia recibida, incluyendo interferencia que puede causar el funcionamiento no deseado del dispositivo.

### Declaración sobre Exposición a Radiación de la IC

Este equipo cumple con los límites de exposición a la radiación de la IC establecidos para entornos no controlados.

Este equipo debe ser instalado y operado con una distancia mínima de 20 cm (7.8 pulg.) entre la antena y su cuerpo.

#### NOTA

- EL FABRICANTE NO SE HACE RESPONSABLE DE CUALQUIER INTERFERENCIA DE TV O RADIO CAUSADA POR MODIFICACIONES NO AUTORIZADAS A ESTE EQUIPO. TALES MODIFICACIONES PODRÍAN ANULAR LA AUTORIDAD DEL USUARIO PARA PONER EL EQUIPO EN FUNCIONAMIENTO.

### Software de código abierto

Para obtener el código fuente bajo GPL, LGPL, MPL y otras licencias de código abierto con las obligaciones para divulgar el código abierto, que contiene este producto, y para acceder a todos los términos de la licencia, avisos de derechos de

autor y otros documentos relevantes, visite <https://opensource.lge.com>.

SIGNATURE KITCHEN SUITE también le proporcionará el código abierto en un CD-ROM por un costo que cubra los gastos de dicha distribución (como el costo del medio, del envío y de la manipulación) una vez realizado el pedido por correo electrónico a la dirección [opensource@lge.com](mailto:opensource@lge.com).

Esta oferta es válida para todo aquel que reciba esta información durante un período de tres años después de que se envíe el último cargamento de este producto.

### Función Smart Grid (Red Inteligente)

Cuando el refrigerador opera en modo Red Inteligente, la función Refrigerador Inteligente (Smart Refrigerator) puede controlar el uso de energía o retrasar la operación de algunas funciones para ahorrar energía durante períodos de uso pico.

- Puede anular la función Red Inteligente en cualquier momento (usando el botón o la aplicación **Smart Grid**).
- Para usar la función Smart Grid, debe registrar su electrodoméstico con su compañía de servicio eléctrico, siempre que su compañía de servicio eléctrico admita la función. En otras palabras, la función Smart Grid no estará disponible si su compañía de servicios eléctricos no admite la función o no tiene la capacidad de admitirla.

### Características de la Aplicación Red Inteligente

- Ahorro Inteligente\_Respuesta bajo Demanda
  - Puede bajar el uso de energía de acuerdo a las señales de Respuesta a la demanda (DR) de la compañía de energía. Si el refrigerador está funcionando en modo ahorro inteligente de acuerdo a la señal DR, verá un mensaje emergente.
- Ahorro de Energía por Temporada
  - Menor uso de energía basado en un período de tiempo.

### Usando la Función Red Inteligente

Esta característica responde a eventos de notificación de su compañía eléctrica para llevar a cabo tareas de alto consumo energético durante períodos no pico cuando la demanda es baja. Estos

eventos de notificación son conocidos como señales de Respuesta Bajo Demanda.

Si el refrigerador recibe una señal de Respuesta Bajo Demanda de la compañía eléctrica, activará el LED de Red (Grid LED) en la pantalla y controlará su consumo energético de acuerdo a la señal. El refrigerador responderá a las señales recibidas de la compañía eléctrica siempre y cuando se mantenga el rendimiento del electrodoméstico.

Si el refrigerador recibe una señal de Respuesta Bajo Demanda, operará en modo Retardo de Carga del Electrodoméstico (DAL) o Reducción Temporal de Carga del Electrodoméstico (TALR).

### Retardo de Carga del Electrodoméstico (DAL)

El refrigerador responde a la señal DAL proporcionando una reducción moderada de carga durante la duración del período de retraso.

Este modo controla funciones que consumen mucha energía como el ajustado del sistema de enfriado, ciclo de descongelado y producción de hielo.

- Cuando el refrigerador opera en modo DAL, el LED de Red (Grid LED) se ilumina en la pantalla del refrigerador.
- El modo DAL es desactivado automáticamente luego del período estipulado por la señal DAL (máx. 4 horas) o cuando anula la función Red Inteligente.

### Reducción Temporal de Carga del Electrodoméstico (TALR)

El refrigerador responde a la señal TALR reduciendo agresivamente la carga por un período corto de tiempo, típicamente 10 minutos. Este modo reduce el consumo de energía deteniendo el compresor y controlando las funciones con mayor consumo de energía como el ciclo de descongelado y el ventilador.

- Cuando el refrigerador opera en modo TALR, el LED de Red (Grid LED) se ilumina en la pantalla del refrigerador.
- El modo TALR se desactiva automáticamente luego de la duración recibida (máx. 10 minutos), o cuando anula la función Red Inteligente. El modo se desactiva inmediatamente, y el refrigerador regresará a su estado normal si la puerta se abre o se cierra, o si se usa el dispensador.

### Anule el Modo Red Inteligente

Para ignorar la señal de Respuesta bajo Demanda de la compañía eléctrica y anular la función Red

Inteligente, presione el botón Smart Grid mientras el refrigerador está en modo Red Inteligente.

Cuando anula la función Red Inteligente, el refrigerador ignora la señal de Respuesta bajo Demanda y este ya no es controlado por la compañía eléctrica hasta que la siguiente es enviada. También puede anular la función Red Inteligente usando la aplicación para teléfonos inteligentes.

### API abierta de SIGNATURE KITCHEN SUITE

Puede administrar las características de Red Inteligente para el Refrigerador Inteligente SIGNATURE KITCHEN SUITE.

Sírvase revisar las especificaciones detalladas en la página de aviso en [signaturekitchensuite.com](http://signaturekitchensuite.com).

#### Lista API

- Respuesta bajo Demanda
  - Enviar señal de respuesta bajo demanda
- Ahorro de Energía
  - Configurar modo de ahorro
  - Obtener programación de DR/Retraso de Descongelado
- Monitoreo de energía
  - Obtenga el evento de apertura de la puerta
  - Obtenga el consumo de energía
- Capacidad de Retraso de Descongelado
  - Introducir un evento de programación de retraso de descongelado.
  - Actualizar un evento de programación de retraso de descongelado
  - Borrar un evento de programación de descongelado atrasado
  - Obtener programación de descongelado atrasado.

### Función Smart Diagnosis™

Esta característica solamente está disponible en algunos modelos.

Utilice esta función como ayuda para diagnosticar y resolver problemas con su electrodoméstico.

#### NOTA

- Por motivos no atribuibles a la negligencia de LGE, es posible que el servicio no pueda funcionar debido a factores externos como por ejemplo, la indisponibilidad de Wi-Fi,

## 30 FUNCIONES INTELIGENTES

desconexión de Wi-Fi, política de la tienda de aplicaciones local o indisponibilidad de aplicaciones, entre otros.

- Esta función puede estar sujeta a cambios sin previo aviso y puede tener una forma diferente según dónde se encuentre ubicado.

### Uso de LG ThinQ para diagnosticar problemas

Si experimenta un problema con su electrodoméstico equipado con Wi-Fi, este puede transmitir datos sobre la resolución de problemas a un teléfono inteligente con la aplicación **LG ThinQ**.

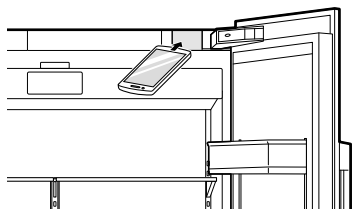
- Inicie la aplicación **LG ThinQ** y seleccione la función **Smart Diagnosis** en el menú. Siga las instrucciones provistas en la aplicación **LG ThinQ**.

### Uso del diagnóstico audible para diagnosticar problemas

Siga las instrucciones a continuación para utilizar el método de diagnóstico audible.

- Inicie la aplicación **LG ThinQ** y seleccione la función **Smart Diagnosis** en el menú. Siga las instrucciones para el diagnóstico audible provistas en la aplicación **LG ThinQ**.

- 1 Abra la puerta del refrigerador.
- 2 Mantenga el micrófono de su teléfono frente al altavoz que se encuentra ubicado al lado de la bisagra derecha superior de la puerta del refrigerador.



- 3 Presione **Settings** en la parte inferior derecha de la pantalla principal y luego presione **Smart Diagnosis**.
- 4 Presione **START**.

- 5 Mantenga el teléfono en su sitio hasta que haya terminado la transmisión de tonos. La aplicación mostrará el recuento de tiempo. Una vez que haya finalizado el recuento de tiempo y los tonos se hayan detenido, aparecerá el diagnóstico en la aplicación.

#### NOTA

- Para obtener resultados óptimos, no mueva el teléfono mientras se transmitan los tonos.

# MANTENIMIENTO

## Limpieza

### ⚠ ADVERTENCIA

- Utilice un limpiador no inflamable. Si no lo hace, puede resultar en incendio, explosión o muerte.

### ⚠ PRECAUCIÓN

- No use un trapo abrasivo o esponja mientras limpia el interior y exterior del electrodoméstico.
- No coloque su mano en la superficie inferior del electrodoméstico cuando abra y cierre las puertas.

## Consejos Generales de Limpieza

- Tanto las secciones del refrigerador como del congelador se descongelan automáticamente; sin embargo, limpie ambas secciones una vez al mes para prevenir olores.
- Limpie derrames inmediatamente.
- Desconecte el refrigerador o la corriente eléctrica previo a la limpieza.
- Remueva todas las partes removibles, como los estantes.
- Use una esponja limpia o un paño suave y un detergente ligero en agua tibia. No utilice abrasivos o limpiadores ásperos.
- Lave a mano, enjuague y seque todas las superficies intensivamente.
- Al limpiar el interior o exterior del electrodoméstico, no utilice un cepillo de dientes, pasta dental, o materiales inflamables. No utilice agentes de limpieza que contengan sustancias inflamables.
  - Hacer esto podría causar decoloración o daños al electrodoméstico.
  - Sustancias inflamables: alcohol (etanol, metanol, alcohol isopropílico, alcohol isobutílico, etc.), disolvente, cloro, benceno, líquidos inflamables, abrasivos, etc.

## Paredes Interiores

- Permita que el congelador se caliente para que el paño no se pegue.

Como ayuda para remover olores, lave el interior del refrigerador con una mezcla de bicarbonato de sodio y agua tibia. Mezcle 2 cucharadas de bicarbonato de sodio con 1 cuarto de galón de

agua (26 g de bicarbonato en 1 litro de agua). Asegúrese de que el bicarbonato de sodio está completamente disuelto para que este no raye las superficies del refrigerador.

## Revestimientos de Puertas y Juntas

Use una esponja limpia o un paño suave y un detergente ligero en agua tibia. No utilice ceras de limpieza, detergentes concentrados, lejías o limpiadores que contengan petróleo en las partes plásticas del refrigerador.

## Partes Plásticas (Cubiertas y Paneles)

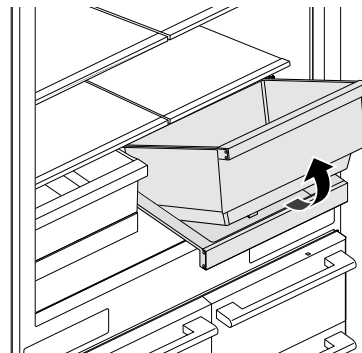
Use una esponja limpia o un paño suave y un detergente ligero en agua tibia. No utilice limpiadores de vidrio, limpiadores abrasivos o líquidos inflamables. Estos pueden rayar o dañar el material.

## Filtro de Aire

### Cómo reciclar el filtro de aire

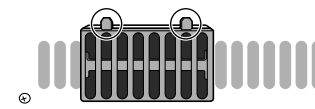
Recicle el filtro de aire aproximadamente cada 6 meses. El filtro de aire está ubicado en la pared posterior detrás del cajón de verduras del lado derecho.

- 1 Para extraer el cajón, saque el cajón a su máxima extensión, levante el frente hacia arriba y retírelo completamente.

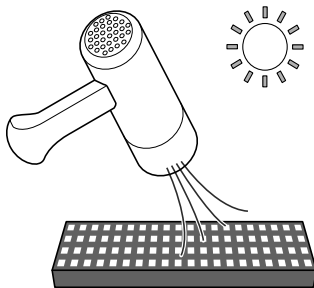


- 2 Ubique el filtro de aire en la pared posterior del refrigerador y presione los dos ganchos para liberar el filtro de aire.

## 32 MANTENIMIENTO



- 3** Seque el filtro de aire con un secador de pelo o deje que se seque al sol.



### NOTA

- Para aumentar el rendimiento de desodorización, el desodorante está hecho de un material de madera de palma natural. Este polvo es inofensivo para el cuerpo humano y puede limpiarse fácilmente con una toalla o un paño.

## Filtro de agua

### Antes de reemplazar el Filtro de Agua


#### ⚠ ADVERTENCIA

- Para disminuir el riesgo asociado al ahogamiento, no permita que los niños menores de 3 años tengan acceso a las piezas pequeñas durante la instalación de este producto.
- Para disminuir el riesgo asociado a la ingesta de contaminantes, no utilice con agua que no sea segura en términos microbiológicos o de calidad desconocida, sin la adecuada desinfección previa o posterior del sistema.
- El uso de filtros de agua no autorizados puede provocar un mal funcionamiento del producto, una pérdida de agua o problemas en la calidad del agua, los cuales no estarán cubiertos por la garantía del producto.
- Conecte únicamente a un suministro de agua potable.

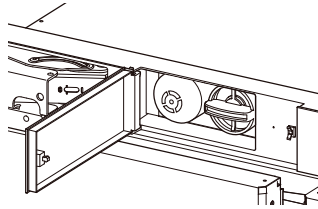
#### ⚠ PRECAUCIÓN

- Lea y siga las Instrucciones de Uso previo a la instalación y uso de este sistema.
- La instalación y uso DEBEN cumplir con toda la normativa de plomería estatal y local.
- No lleve a cabo la instalación si la presión del agua excede los 120 psi (827 kPa). Si la presión del agua excede los 80 psi, deberá instalar una válvula limitante de presión. Contacte a un plomero si no está seguro sobre cómo revisar la presión del agua.
- No lleve a cabo la instalación donde pueden producirse condiciones de golpes de ariete de agua. Si existen condiciones de golpes de ariete de agua, deberá instalar un supresor de golpes de ariete. Contacte a un plomero profesional si no sabe cómo revisar esta condición.
- No lleve a cabo la instalación en líneas de agua caliente. La temperatura máxima de operación de este sistema de filtro es 100 °F (37.8 °C).
- Evite la congelación del filtro. Drene el filtro cuando la temperatura caiga debajo de 40 °F (4.4 °C).
- El cartucho de filtro desechable DEBE sustituirse cada 6 meses, con la capacidad nominal o si se observa una significativa reducción del caudal.
- Para protegerlo de la congelación, remueva el cartucho del filtro cuando se prevea que las temperaturas pueden ser inferiores a 33°F.
- No instale sistemas en áreas donde la temperatura ambiente pueda superar los 110°F (43.3°C).
- Donde se instale un dispositivo de prevención de reflujo en un sistema de agua, deberá instalarse un dispositivo para controlar la presión debido a la expansión térmica.
- Asegúrese de que todas las tuberías y conexiones estén correctamente instaladas y no presenten fugas.

### Reemplazo del Filtro de Agua

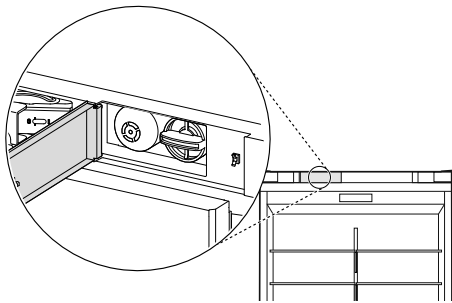
- Reemplace el filtro de agua:
  - Aproximadamente cada seis meses.
  - Cuando el icono  se encienda.
  - Cuando disminuye la producción de la máquina de hielo
- Para comprar un filtro de agua de repuesto:
  - Visite a su proveedor o distribuidor local
  - Encuentre piezas y accesorios en la sección Soporte de **signaturekitchensuite.com**

- Llame al 1-855-790-6655 (EE. UU.) o 1-888-289-2802 (CANADÁ)
- Utilice cartucho de reemplazo: **LT1000P-S (ADQ74793506)**



**1 Retire el filtro de agua viejo.**

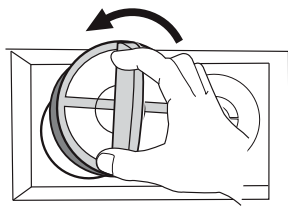
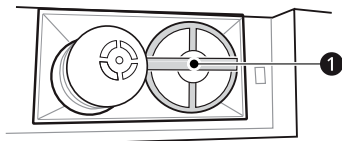
Presione para abrir la cubierta del filtro de agua en la parte superior del refrigerador.



**NOTA**

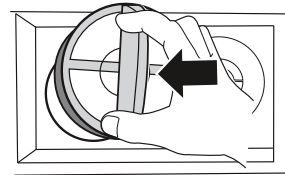
- Reemplazar el filtro de agua causa que una pequeña cantidad de agua (alrededor de 1 oz o 25 cc) se drene.
- Envuelva un paño alrededor de la parte delantera de la cubierta del filtro de agua para recoger cualquier goteo. En cuanto sea removido, sostenga el filtro de agua en posición vertical, para prevenir que cualquier remanente de agua salga del filtro.

- 2** Coloque la cubierta ❶ en el filtro de agua, luego sujétela y rótelas en sentido antihorario para extraer el filtro de agua del cabezal para filtros.

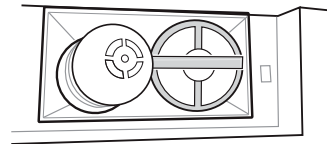
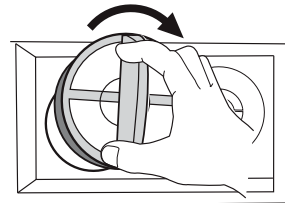


**3 Reemplace con un nuevo filtro de agua.**

Desempaque su nuevo filtro de agua y remueva la cubierta protectora de los anillos. Coloque la cubierta en el nuevo filtro de agua, luego introdúzcalo en la abertura hasta que se detenga.



- 4** Sujete y rote la cubierta en sentido horario hasta que se detenga. Reemplace la cubierta al lado del filtro de agua.



- 5** Luego de reemplazar el filtro de agua, dispense 2.5 galones de agua (deje correr el agua por aproximadamente 5 minutos) para remover el aire atrapado y los contaminantes del sistema.

**NOTA**

- No dispense los 2.5 galones completos de manera continua. Presione y suelte el botón del dispensador en ciclos de 30 segundos ENCENDIDO y 60 segundos APAGADO.

- 6** Después de cambiar el filtro, presione **Settings** en la parte inferior derecha de la pantalla principal y luego presione **Water Filter**. Presione **RESET** para reiniciar la vida útil del filtro.

- Para mayor asistencia, llame al:
  - 1-855-790-6655 (Estados Unidos)
  - 1-888-289-2802 (CANADÁ)


## 34 MANTENIMIENTO

### Hoja de Datos de Rendimiento

Modelo: LT1000P-S

Código del Nombre Comercial del Sistema NSF: MDJ64844601

La concentración de las sustancias indicadas en el agua que entra al sistema se redujo a una concentración menor o igual al límite permisible para el agua de salida según lo especificado en NSF/ANSI Estándar 42, Estándar 53 y Estándar 401.

	Sistema probado y certificado por NSF Internacional en contra de NSF/ANSI Estándar 42, Estándar 53 y Estándar 401 para la reducción de las siguientes sustancias.
---	---

Reducción de Sustancia	Dificultad de Afluencia Promedio	Concentración Objetivo especificada por NSF	% Reducción Promedio	Concentración Media de Producto en Agua	Concentración Máxima Permisible de Producto en Agua	Requisitos de Reducción NSF
Olor y Sabor a Cloro	2.0 µg/L	2.0 µg/L ± 10%	>97.5%	0.050 µg/L	N/A	≥ 50.00%
Partícula Nominal Clase I, , ≥ 0.5 a < 1.0 µm	12,000,000 pts/ml	Al menos 10,000 partículas/ml	99.80%	24,000 pts/ml	N/A	≥ 85.00%
Asbesto	180 MFL	De 10 <sup>7</sup> a 10 <sup>8</sup> MFL; fibras de una longitud mayor a 10 µg/L in	>99.00%	< 1 MFL	N/A	≥ 99.00%
Atracina	8.5 µg/L	9.0 µg/L ± 10%	>94.10%	0.500 µg/L	3.0 µg/L	NA
Benceno	15.0 µg/L	15.0 µg/L ± 10%	>96.60%	0.510 µg/L	5.0 µg/L	NA
Carbofurano	74.0 µg/L	80.0 µg/L ± 10%	98.30%	1.258 µg/L	40 µg/L	NA
Lindano	1.9 µg/L	2.0 µg/L ± 10%	>99.00%	0.019 µg/L	0.2 µg/L	NA
P-Diclorobenceno	230.0 µg/L	225.0 µg/L ± 10%	>99.80%	0.460 µg/L	75.0 µg/L	NA
2,4-D	210.0 µg/L	210.0 µg/L ± 10%	>99.90%	0.210 µg/L	70.0 µg/L	NA
Plomo pH @6.5	140.0 µg/L	150.0 µg/L ± 10%	99.60%	0.560 µg/L	10.0 µg/L	NA
Plomo pH @8.5	150.0 µg/L	150.0 µg/L ± 10%	>99.70%	<0.500 µg/L	10.0 µg/L	NA
Mercurio @ pH6.5	5.9 µg/L	6.0 µg/L ± 10%	91.00%	0.531 µg/L	2.0 µg/L	NA
Mercurio @ pH8.5	5.6 µg/L	6.0 µg/L ± 10%	92.5%	0.420 µg/L	2.0 µg/L	NA
Bacterias*	100,000 quistes/L	Mínimo de 50,000 bacterias/L	>99.99%	10 quistes/L	N/A	≥ 99.95%
Atenolol	240 ng/L	200 ± 40% ng/L	> 95.50%	10.80 ng/L	30 ng/L	NA
Carbamazepina	1600 ng/L	1400 ± 40% ng/L	98.40%	25.60 ng/L	200 ng/L	NA
DEET	1600 ng/L	1400 ± 40% ng/L	97.10%	46.40 ng/L	200 ng/L	NA
Trimetoprima	170 ng/L	140 ± 40% ng/L	>96.80%	5.44 ng/L	20 ng/L	NA
Linuron	160 ng/L	140 ± 40% ng/L	>96.60%	5.44 ng/L	20 ng/L	NA
Fenitoína	200 ng/L	200 ± 40% ng/L	>94.80%	10.40 ng/L	30 ng/L	NA
Ibuprofeno	400 ng/L	400 ± 40% ng/L	>94.50%	22.00 ng/L	60 ng/L	NA
Naproxeno	140 ng/L	140 ± 40% ng/L	>96.10%	5.46 ng/L	20 ng/L	NA
Estrona	120 ng/L	140 ± 40% ng/L	>96.10%	4.68 ng/L	20 ng/L	NA
Bisfenol A	2000 ng/L	2000 ± 40% ng/L	>98.90%	22.00 ng/L	300 ng/L	NA



Reducción de Sustancia	Dificultad de Afluencia Promedio	Concentración Objetivo especificada por NSF	% Reducción Promedio	Concentración Media de Producto en Agua	Concentración Máxima Permisible de Producto en Agua	Requisitos de Reducción NSF
Nonilfenol	1600 ng/L	1400 ± 40% ng/L	>97.10%	46.40 ng/L	200 ng/L	NA

\* Basado en el uso de oquistes de *Cryptosporidium parvum*.

Lineamientos de Aplicación / Parámetros de Suministro de Agua	
Flujo de Servicio	0.5 gpm (1.9 lpm)
Suministro de Agua	Pozo Comunitario o Privado - Agua Potable
Presión de Agua	20 - 120 psi (138 - 827 kPa)
Temperatura del agua	33 °F - 100 °F (0.6 °C - 37.8°C)
Capacidad	200 galones (757 litros)

Es indispensable que se realicen la instalación recomendada por el fabricante, el mantenimiento y los requerimientos de remplazo del filtro para que el producto se desempeñe adecuadamente.

**NOTA**

- Aunque se llevaron a cabo las pruebas en condiciones estándar de laboratorio, el desempeño real podría variar.

Para filtros de reemplazo, visite a su proveedor o distribuidor local o encuentre un proveedor en el sitio web [signaturekitchensuite.com](http://signaturekitchensuite.com).

Para mayor asistencia, contacte al Centro de Información al Cliente de SIGNATURE KITCHEN SUITE.

USA: 1-855-790-6655

Canadá: 1-888-289-2802

**Cartucho de Reemplazo: LT1000P-S o ADQ74793506**

NSF es una marca comercial de NSF International.

# SOLUCIÓN DE PROBLEMAS

## Preguntas frecuentes

### Preguntas frecuentes

**P: ¿Cuál es la mejor configuración de temperatura para mi refrigerador y congelador?**

R: La configuración predeterminada del refrigerador es 37° Fahrenheit (3° Celsius). La configuración predeterminada del congelador es 0° Fahrenheit (-18° Celsius). Ajuste esta configuración según sus necesidades para mantener los alimentos a la temperatura deseada. La leche deberá mantenerse fría al almacenarse en el estante interior del refrigerador. El helado deberá estar firme y los cubos de hielo no deberán derretirse en el congelador.

**P: ¿Cómo establezco la temperatura del refrigerador y del congelador?**

R: Presione la temperatura del refrigerador o congelador o cajón convertible en la pantalla principal. Presione **▲** / **▼** para establecer la temperatura deseada.

**P: ¿Por qué escucho un zumbido periódicamente desde mi refrigerador?**

R: Esto puede suceder si no tiene una fuente de agua conectada a su congelador y la máquina de hielo está encendida. Si no tiene una fuente de agua conectada al congelador, debe apagar la máquina de hielo en el panel de control.

**P: ¿Por qué el recipiente del dispensador de hielo se ve encorvado?**

R: Esta es una parte normal del ciclo del dispensador de hielo. La bandeja del dispensador de hielo puede parecer nivelada o con una leve inclinación. El cambio de posición es para asistir el proceso de congelación.

**P: Mi refrigerador está encendido y los controles están funcionando, pero no está enfriando y la pantalla muestra "DEMO" (Apagado) (Vea abajo). ¿Qué está mal?**

R: El refrigerador está en Modo de Exhibición. El Modo de Exhibición deshabilita toda refrigeración para conservar energía mientras se exhibe en una tienda minorista. Para restaurar la operación normal, presione **Settings** en la parte inferior derecha de la pantalla principal y luego presione **Brightness**. Golpee la esquina superior derecha de la pantalla 15 veces. Luego, aparece "**Demo mode is off**" y el icono **DEMO** desaparece en la parte superior de la pantalla. Si así lo desea, use el mismo procedimiento para regresar el refrigerador a Modo de Exhibición.

**DEMO**

## Antes de llamar al servicio técnico

Revise esta sección antes de llamar para servicio; hacerlo le ahorrará tiempo y dinero.

### Enfriamiento

Problemas	Causas posibles y solución
<b>El refrigerador no enfría o no tiene energía.</b>	<b>El control del refrigerador está configurado en APAGADO (algunos modelos).</b> <ul style="list-style-type: none"> <li>Configure el control en ENCENDIDO. Consulte la Configuración en la sección Controles para los ajustes apropiados de temperatura.</li> </ul>
	<b>El refrigerador está configurado en Modo de exhibición.</b> <ul style="list-style-type: none"> <li>El Modo de exhibición permite que la iluminación y la pantalla de control funcionen normalmente mientras que deshabilita el enfriamiento para ahorrar energía mientras el refrigerador está en exhibición. Consulte la sección de Preguntas Frecuentes de este manual para obtener instrucciones sobre cómo deshabilitar el Modo de exhibición.</li> </ul>
	<b>El refrigerador está en el ciclo de descongelado.</b> <ul style="list-style-type: none"> <li>Durante el ciclo de descongelado, la temperatura de cada compartimento puede incrementarse levemente. Espere 30 minutos y confirme que la temperatura apropiada haya sido restaurada una vez que el ciclo de descongelado haya sido completado.</li> </ul>
	<b>El refrigerador fue instalado recientemente.</b> <ul style="list-style-type: none"> <li>Puede tomar hasta 24 horas para que cada compartimento alcance la temperatura deseada.</li> </ul>
	<b>El refrigerador fue reubicado recientemente.</b> <ul style="list-style-type: none"> <li>Si el refrigerador estaba almacenado por un período largo de tiempo o reclinado, es necesario que éste se mantenga en posición vertical por 24 horas previo a conectarlo a la corriente eléctrica.</li> </ul>
<b>El sistema de enfriamiento se ejecuta mucho.</b>	<b>El refrigerador está reemplazando un modelo anterior.</b> <ul style="list-style-type: none"> <li>Los refrigeradores modernos requieren más tiempo de operación pero usan menos energía debido a tecnología más eficiente.</li> </ul>
	<b>El refrigerador fue conectado recientemente o su fuente de energía fue restablecida.</b> <ul style="list-style-type: none"> <li>Puede tomar hasta 24 horas para que el refrigerador enfríe completamente.</li> </ul>
	<b>La puerta es abierta frecuentemente o una gran cantidad de alimentos / alimentos calientes fueron añadidos.</b> <ul style="list-style-type: none"> <li>Al añadir alimentos y abrir las puertas el refrigerador se calienta, requiriendo que el compresor se ejecute más tiempo a manera de enfriarlo de nuevo. A manera de conservar energía, intente retirar todo lo que necesita del refrigerador al mismo tiempo, mantenga los alimentos organizados para que sea fácil encontrarlos, y cierre la puerta en cuanto los alimentos sean retirados. (Consulte la Guía de Almacenamiento de Alimentos.)</li> </ul>
	<b>Las puertas no están completamente cerradas.</b> <ul style="list-style-type: none"> <li>Cierre las puertas firmemente. Si no cierran completamente, consulte la sección "Puertas no cierran o abren completamente" en Solución de Problemas.</li> </ul>
<b>Acumulación de humedad interior.</b>	<b>El refrigerador está instalado en una ubicación caliente.</b> <ul style="list-style-type: none"> <li>El compresor se ejecutará por más tiempo en condiciones templadas. En temperaturas normales de habitación (70 °F o 21 °C) espere que su compresor se ejecute de 40% a 80% del tiempo. Bajo condiciones más calientes, espere que este se ejecute más seguido. El refrigerador no debe ser operado sobre 110 °F (43 °C).</li> </ul>
	<b>Las puertas están abiertas constantemente o por períodos largos de tiempo.</b> <ul style="list-style-type: none"> <li>Cuando las puertas están abiertas constantemente o por períodos largos de tiempo, el aire caliente y húmedo entra al compartimento. Esto eleva la temperatura y el nivel de humedad dentro del compartimento. Para disminuir el efecto, reduzca la frecuencia y duración de apertura de la puerta.</li> </ul>

## 38 SOLUCIÓN DE PROBLEMAS

Problemas	Causas posibles y solución
<b>Acumulación de humedad interior.</b>	<b>Las puertas no están cerradas correctamente.</b> <ul style="list-style-type: none"> <li>• Vea la sección Puertas no cierran o abren completamente en Solución de Problemas de Partes &amp; Características.</li> </ul>
	<b>El clima es húmedo.</b> <ul style="list-style-type: none"> <li>• El clima húmedo permite que ingrese humedad adicional a los compartimentos cuando las puertas se abren, provocando condensación o escarcha. Mantener un nivel de humedad razonable en el hogar ayudará a controlar la cantidad de humedad que pueda ingresar a los compartimentos.</li> </ul>
	<b>Ciclo de descongelado recientemente completado.</b> <ul style="list-style-type: none"> <li>• Durante el ciclo de descongelado, la temperatura de cada compartimento puede incrementar levemente y puede que se forme condensación en la pared trasera. Espere 30 minutos y confirme que la temperatura adecuada se ha restaurado una vez el ciclo de descongelado ha terminado.</li> </ul>
	<b>Los alimentos no están empacados correctamente.</b> <ul style="list-style-type: none"> <li>• Los alimentos almacenados, descubiertos o desenvueltos, y contenedores húmedos pueden llegar a generar acumulación de humedad dentro de cada compartimento. Seque todos los contenedores y almacene los alimentos en empaques sellados para prevenir condensación y escarcha.</li> </ul>
<b>Los alimentos se están congelando en el compartimento del refrigerador.</b>	<b>Alimentos con contenido alto en agua fueron ubicados cerca de una ranura de ventilación.</b> <ul style="list-style-type: none"> <li>• Reorganice los artículos con contenido alto en agua alejados de las ranuras de ventilación.</li> </ul>
	<b>La temperatura del refrigerador está configurada incorrectamente.</b> <ul style="list-style-type: none"> <li>• Si la temperatura es muy baja, ajuste el control mediante un incremento a la vez y espere a que la temperatura se estabilice. Consulte la sección Ajustando los Controles para más información.</li> </ul>
	<b>El refrigerador está instalado en una ubicación fría.</b> <ul style="list-style-type: none"> <li>• Cuando el refrigerador es operado en temperaturas inferiores a 41 °F (5 °C), los alimentos pueden congelarse en el compartimento del refrigerador. El refrigerador no debe ser operado en temperaturas inferiores a 55 °F (13 °C).</li> </ul>
<b>La sección del Refrigerador o Congelador está muy fría.</b>	<b>Ajustes de control de temperatura incorrectos.</b> <ul style="list-style-type: none"> <li>• Si la temperatura es muy fría, ajuste el control un incremento a la vez y espere a que la temperatura se estabilice. Consulte el Panel de Control para mayor información.</li> </ul>
<b>Se forma escarcha o cristales de hielo en alimentos congelados (dentro de paquete sellado).</b>	<b>Condensación de alimentos con un alto contenido de agua se ha congelado dentro del paquete.</b> <ul style="list-style-type: none"> <li>• Esto es normal para alimentos con un alto contenido de agua.</li> </ul>
	<b>Alimentos se han dejado en el congelador por un largo período de tiempo.</b> <ul style="list-style-type: none"> <li>• No almacene alimentos con un alto contenido de agua en el congelador por un largo período de tiempo.</li> </ul>
<b>Formación de escarcha o cristales de hielo en alimentos congelados (fuera del empaque).</b>	<b>La puerta es abierta frecuentemente o por períodos prolongados de tiempo.</b> <ul style="list-style-type: none"> <li>• Cuando las puertas son abiertas constantemente o por períodos largos de tiempo, aire caliente y húmedo entra al compartimento. Esto eleva la temperatura y el nivel de humedad dentro del compartimento. Para disminuir el efecto, reduzca la frecuencia y duración de apertura de la puerta.</li> </ul>
	<b>La puerta no cierra correctamente.</b> <ul style="list-style-type: none"> <li>• Consulte la sección "Puertas no cierran o abren correctamente" en Solución de Problemas.</li> </ul>

Problemas	Causas posibles y solución
<b>Las secciones del Refrigerador y Congelador están muy calientes.</b>	<b>El refrigerador fue instalado recientemente.</b> <ul style="list-style-type: none"> <li>• Puede tomar hasta 24 horas para que cada compartimento alcance la temperatura deseada.</li> </ul>
	<b>Las ventilaciones de aire están bloqueadas.</b> <ul style="list-style-type: none"> <li>• Reorganice los artículos con contenido alto en agua alejados de las ranuras de ventilación.</li> </ul>
	<b>Las puertas están abiertas constantemente o por períodos largos de tiempo.</b> <ul style="list-style-type: none"> <li>• Cuando las puertas están abiertas constantemente o por períodos largos de tiempo, el aire caliente y húmedo entra al compartimento. Esto eleva la temperatura y el nivel de humedad dentro del compartimento. Para disminuir el efecto, reduzca la frecuencia y duración de apertura de la puerta.</li> </ul>
	<b>Reorganice los artículos con contenido alto en agua alejados de las ranuras de ventilación.</b> <ul style="list-style-type: none"> <li>• El refrigerador no debe ser operado en temperaturas por encima de 110 °F (43 °C).</li> </ul>
	<b>Reorganice los artículos con contenido alto en agua alejados de las ranuras de ventilación.</b> <ul style="list-style-type: none"> <li>• Al añadir alimentos, el compartimento se calienta y requiere el funcionamiento del sistema de refrigeración. Dejar enfriar los alimentos calientes a temperatura ambiente antes de ingresarlos al refrigerador reducirá este efecto.</li> </ul>
	<b>Las puertas no están cerradas correctamente.</b> <ul style="list-style-type: none"> <li>• Consulte la sección "Puertas no cierran o abren correctamente" en Solución de Problemas.</li> </ul>
	<b>Reorganice los artículos con contenido alto en agua alejados de las ranuras de ventilación.</b> <ul style="list-style-type: none"> <li>• Si la temperatura es muy alta, ajuste el control un incremento a la vez y espere a que la temperatura se estabilice.</li> </ul>
	<b>Reorganice los artículos con contenido alto en agua alejados de las ranuras de ventilación.</b> <ul style="list-style-type: none"> <li>• Durante el ciclo de descongelado, la temperatura de cada compartimento puede incrementar levemente y formar condensación en la pared trasera. Espere 30 minutos y confirme que la temperatura apropiada haya sido restaurada una vez el ciclo de descongelado haya sido completado.</li> </ul>

## Agua

Problemas	Causas posibles y solución
<b>El agua está siendo dispensada lentamente.</b>	<b>El filtro de agua ha sido agotado.</b> <ul style="list-style-type: none"> <li>• El reemplazo del filtro de agua se recomienda: <ul style="list-style-type: none"> <li>- Aproximadamente cada seis meses.</li> <li>- Cuando se encienda el indicador de filtro de agua.</li> <li>- Cuando disminuya la potencia del dispensador de agua.</li> <li>- Cuando los cubos de hielo sean más pequeños de lo normal.</li> </ul> </li> </ul>
	<b>Se está usando el Sistema de Filtración de Osmosis Inversa.</b> <ul style="list-style-type: none"> <li>• Los sistemas de filtración de osmosis inversa pueden reducir la presión de agua por debajo de la cantidad mínima y provocar problemas en el dispensador de hielo. Si el problema continúa, puede que sea necesario contactar a un plomero.</li> </ul>
	<b>Baja presión de suministro de agua principal.</b> <ul style="list-style-type: none"> <li>• La presión del agua debe estar entre los 20 y los 120 psi en modelos sin filtro de agua y entre los 40 y 120 psi en modelos con filtro de agua. Si el problema continúa, puede que sea necesario contactar a un plomero.</li> </ul>

## 40 SOLUCIÓN DE PROBLEMAS

Problemas	Causas posibles y solución
<b>No se está dispensando agua.</b>	<b>Nueva instalación o línea de agua recientemente conectada.</b> <ul style="list-style-type: none"> <li>• Dispense 2.5 galones de agua (deje correr por aproximadamente 5 minutos) para remover el aire atrapado y los contaminantes del sistema. No dispense los 2.5 galones completos de manera continua. Presione y suelte el botón del dispensador en ciclos de 30 segundos ENCENDIDO y 60 segundos APAGADO.</li> </ul>
	<b>Las puertas del refrigerador o congelador no están cerradas apropiadamente.</b> <ul style="list-style-type: none"> <li>• El agua no será dispensada si alguna de las puertas del refrigerador se ha dejado abierta.</li> </ul>
	<b>El filtro de agua ha sido recientemente removido o reemplazado.</b> <ul style="list-style-type: none"> <li>• Luego de reemplazar el filtro de agua, dispense 2.5 galones de agua (deje correr el agua por aproximadamente 5 minutos) para remover el aire atrapado y los contaminantes del sistema. No dispense los 2.5 galones completos de manera continua. Presione y suelte el botón del dispensador en ciclos de 30 segundos ENCENDIDO y 60 segundos APAGADO.</li> </ul>
	<b>La tubería que conecta el refrigerador a la válvula de suministro del hogar está retorcida.</b> <ul style="list-style-type: none"> <li>• La tubería se puede retorcer cuando se mueve el refrigerador durante la instalación o limpieza, lo que puede provocar un flujo reducido de agua. Enderece o repare la línea del suministro de agua y arrégela para prevenir futuras torceduras.</li> </ul>
	<b>El suministro de agua principal no está conectado, la válvula no está completamente encendida o la válvula está obstruida.</b> <ul style="list-style-type: none"> <li>• Conecte el refrigerador al suministro de agua y abra completamente la válvula de cierre de agua. Si el problema continúa, puede que sea necesario contactar a un plomero.</li> </ul>
<b>Dispensando agua caliente.</b>	<b>El refrigerador fue instalado recientemente.</b> <ul style="list-style-type: none"> <li>• Permita que pasen 24 horas luego de la instalación para que el tanque de almacenamiento de agua enfríe completamente.</li> </ul>
	<b>El dispensador de agua ha sido usado recientemente y el tanque de almacenamiento se agotó.</b> <ul style="list-style-type: none"> <li>• Dependiendo de su modelo específico, la capacidad de almacenaje de agua será de aproximadamente 20 a 30 oz.</li> </ul>
	<b>El dispensador no ha sido usado por varias horas.</b> <ul style="list-style-type: none"> <li>• Si el dispensador no ha sido usado por varias horas, el primer vaso dispensado puede estar tibio. Deseche las primeras 10oz.</li> </ul>
	<b>El refrigerador está conectado al suministro de agua caliente.</b> <ul style="list-style-type: none"> <li>• Asegúrese de que el refrigerador esté conectado a una tubería de agua fría.</li> </ul> <b>ADVERTENCIA: conectar el refrigerador a una línea de agua caliente puede dañar el dispensador de hielo.</b>
<b>El agua tiene mal sabor u olor.</b>	<b>El suministro de agua contiene minerales como azufre.</b> <ul style="list-style-type: none"> <li>• Puede ser necesario instalar un filtro de agua para eliminar problemas de sabor y olor.</li> </ul>
	<b>El filtro de agua ha sido agotado.</b> <ul style="list-style-type: none"> <li>• El reemplazo del filtro de agua se recomienda: <ul style="list-style-type: none"> <li>- Aproximadamente cada seis meses.</li> <li>- Cuando se encienda el indicador de filtro de agua.</li> <li>- Cuando disminuya la potencia del dispensador de agua.</li> <li>- Cuando los cubos de hielo sean más pequeños de lo normal.</li> </ul> </li> </ul>
	<b>El refrigerador fue instalado recientemente.</b> <ul style="list-style-type: none"> <li>• Dispense 2.5 galones de agua (deje correr por aproximadamente 5 minutos) para remover el aire atrapado y los contaminantes del sistema. No dispense los 2.5 galones completos de manera continua. Presione y suelte el botón del dispensador en ciclos de 30 segundos ENCENDIDO y 60 segundos APAGADO.</li> </ul>

## Hielo

ESPAÑOL

Problemas	Causas posibles y solución
<p><b>El dispensador de hielo no está produciendo suficiente hielo.</b></p>	<p><b>La demanda excede la capacidad de producción de hielo.</b></p> <ul style="list-style-type: none"> <li>• Consulte la sección Máquina de Hielo Automática para averiguar sobre la capacidad de producción de hielo y controlar la cantidad de hielo que se produce en un período de 24 horas.</li> </ul>
	<p><b>El suministro de agua principal no está conectado, la válvula no está completamente encendida o la válvula está obstruida.</b></p> <ul style="list-style-type: none"> <li>• Conecte el refrigerador a un suministro de agua fría con presión adecuada y abra la válvula de cierre de agua completamente. Si el problema continúa, puede que sea necesario contactar a un plomero.</li> </ul>
	<p><b>El filtro de agua ha sido agotado.</b></p> <ul style="list-style-type: none"> <li>• El reemplazo del filtro de agua se recomienda:                             <ul style="list-style-type: none"> <li>- Aproximadamente cada seis meses.</li> <li>- Cuando se encienda el indicador de filtro de agua.</li> <li>- Cuando disminuya la potencia del dispensador de agua.</li> <li>- Cuando los cubos de hielo sean más pequeños de lo normal.</li> </ul> </li> </ul>
	<p><b>Baja presión de suministro de agua principal.</b></p> <ul style="list-style-type: none"> <li>• La presión del agua debe estar entre los 20 y los 120 psi (138 y 827 kPa) en modelos sin filtro de agua y entre los 40 y 120 psi (276 y 827 kPa) en modelos con filtro de agua. Si el problema continúa, puede que sea necesario contactar a un plomero.</li> </ul>
	<p><b>Se está usando el Sistema de Filtración de Osmosis Inversa.</b></p> <ul style="list-style-type: none"> <li>• Los sistemas de filtración de osmosis inversa pueden reducir la presión de agua por debajo de la cantidad mínima y provocar problemas en el dispensador de hielo.</li> </ul>
	<p><b>La tubería que conecta el refrigerador a la válvula de suministro del hogar está retorcida.</b></p> <ul style="list-style-type: none"> <li>• La tubería se puede retorcer cuando se mueve el refrigerador durante la instalación o limpieza, provocando un flujo reducido de agua. Enderece o repare la línea del suministro de agua y arrégla para prevenir futuras torceduras.</li> </ul>
	<p><b>Las puertas están abiertas constantemente o por períodos largos de tiempo.</b></p> <ul style="list-style-type: none"> <li>• Si las puertas de la unidad se abren a menudo, el aire ambiental calentará el refrigerador, lo que impedirá que la unidad pueda mantener la temperatura establecida. Puede ayudar el bajar la temperatura del refrigerador, así como no abrir las puertas con tanta frecuencia.</li> </ul>
	<p><b>Las puertas no están completamente cerradas.</b></p> <ul style="list-style-type: none"> <li>• Si las puertas no están cerradas correctamente, la producción de hielo se verá afectada. Para obtener mayor información, vea la sección Las puertas no se cierran completamente o quedan abiertas en la sección Componentes y Características de la Guía de resolución de problemas.</li> </ul>
	<p><b>El ajuste de temperatura del congelador es demasiado cálido.</b></p> <ul style="list-style-type: none"> <li>• La temperatura recomendada para el compartimento del congelador para una producción normal de hielo es de 0 °F (-18 °C). Si la temperatura del congelador es superior, la producción se verá afectada.</li> </ul>
<p><b>El máquina de hielo automática no está produciendo hielo.</b></p>	<p><b>El refrigerador fue instalado recientemente o el máquina de hielo automática fue conectado recientemente.</b></p> <ul style="list-style-type: none"> <li>• Puede tomar hasta 24 horas para que cada compartimento alcance la temperatura deseada y para que el dispensador de hielo empiece a producir hielo.</li> </ul>
	<p><b>El máquina de hielo automática no está conectado.</b></p> <ul style="list-style-type: none"> <li>• Localice el botón Encendido/Apagado y confirme que está en la posición de Encendido (On).</li> </ul>

## 42 SOLUCIÓN DE PROBLEMAS

Problemas	Causas posibles y solución
<b>El máquina de hielo automática no está produciendo hielo.</b>	<b>El sensor de detección de hielo está obstruido.</b> <ul style="list-style-type: none"> <li>Las sustancias desconocidas o escarcha en el sensor detector de hielo pueden interrumpir la producción del mismo. Asegúrese de que el área del sensor está limpia todo el tiempo para que opere apropiadamente.</li> </ul>
	<b>El refrigerador no está conectado a un suministro de agua o la válvula de cierre del suministro no está abierta.</b> <ul style="list-style-type: none"> <li>Conecte el refrigerador al suministro de agua y abra completamente la válvula de cierre de agua.</li> </ul>
	<b>Corte del máquina de hielo automática (brazo o sensor) obstruido.</b> <ul style="list-style-type: none"> <li>Si su máquina de hielo automática está equipado con un brazo de corte de hielo, asegúrese de que el brazo se mueve libremente. Si su máquina de hielo automática está equipado con un sensor de corte de hielo, asegúrese de que haya un espacio limpio entre los dos sensores.</li> </ul>
	<b>El sistema de filtración de agua de osmosis inversa está conectado a su suministro de agua fría.</b> <ul style="list-style-type: none"> <li>Los sistemas de filtración de osmosis inversa pueden reducir la presión de agua por debajo de la cantidad mínima y provocar problemas en el dispensador de hielo.</li> </ul>
<b>El hielo tiene mal sabor u olor.</b>	<b>El suministro de agua contiene minerales como azufre.</b> <ul style="list-style-type: none"> <li>Puede ser necesario instalar un filtro de agua para eliminar problemas de sabor y olor. <b>NOTA:</b> En algunos casos, un filtro puede no ayudar. Puede no ser posible remover todo mineral/olor/sabor del suministro de agua.</li> </ul>
	<b>El dispensador de hielo fue instalado recientemente.</b> <ul style="list-style-type: none"> <li>El hielo que ha sido almacenado por mucho tiempo se encogerá, tornará turbio y podrá desarrollar un sabor a viejo. Tire el hielo viejo y haga un nuevo suministro.</li> </ul>
	<b>Los alimentos no han sido almacenados apropiadamente en los compartimentos.</b> <ul style="list-style-type: none"> <li>Empaque nuevamente los alimentos. Los olores pueden migrar hacia el hielo si los alimentos no son empacados apropiadamente.</li> </ul>
	<b>El interior del refrigerador debe ser limpiado.</b> <ul style="list-style-type: none"> <li>Vea la sección de Mantenimiento para mayor información.</li> </ul>
	<b>El recipiente de almacenamiento de hielo necesita ser limpiado.</b> <ul style="list-style-type: none"> <li>Vacíe y lave el recipiente (deseche cubos viejos). Asegúrese de que el recipiente está completamente seco previo a reinstalarlo.</li> </ul>
<b>El dispensador de hielo está produciendo demasiado hielo.</b>	<b>Corte del dispensador de hielo (brazo/sensor) está obstruido.</b> <ul style="list-style-type: none"> <li>Vacíe el recipiente de hielo. Si su dispensador de hielo está equipado con un brazo de corte de hielo, asegúrese de que el brazo se mueve libremente. Si su dispensador de hielo está equipado con el sensor de corte de hielo electrónico, asegúrese de que haya un espacio limpio entre los dos sensores. Reinstale el recipiente de hielo y espere 24 horas para confirmar que opera apropiadamente.</li> </ul>

## Partes y Características

Problemas	Causas posibles y solución
<b>Las puertas no se cierran correctamente o se quedan abiertas.</b>	<b>Paquetes de alimentos están bloqueando la puerta e impiden que se cierre.</b> <ul style="list-style-type: none"> <li>Reorganice los contenedores de alimentos para liberar la puerta y los estantes de la puerta.</li> </ul>



Problemas	Causas posibles y solución
<b>Las puertas no se cierran correctamente o se quedan abiertas.</b>	<b>El recipiente de hielo, la tapa del cajón para verduras, las bandejas, los estantes, las bandejas de las puertas o las cestas no están en su sitio.</b> <ul style="list-style-type: none"> <li>Empuje correctamente hacia adentro las bandejas, la tapa del cajón para verduras, las bandejas, los estantes y las cestas en su posición adecuada. Vea la sección Uso del Refrigerador para mayor información.</li> </ul>
	<b>Las puertas se desmontaron durante la instalación del producto y no se volvieron a colocar correctamente.</b> <ul style="list-style-type: none"> <li>Desmunte y vuelva a colocar las puertas de acuerdo con las instrucciones de instalación.</li> </ul>
	<b>El refrigerador no está correctamente nivelado.</b> <ul style="list-style-type: none"> <li>Consulte la sección Alineación de las puertas en las instrucciones de instalación para nivelar el refrigerador.</li> </ul>
<b>Es difícil abrir las puertas.</b>	<b>Las juntas están sucias o pegajosas.</b> <ul style="list-style-type: none"> <li>Limpie las juntas y las superficies que tocan. Aplique una fina capa de cera para electrodomésticos o cera de cocina en las juntas después de limpiarlas.</li> </ul>
	<b>La puerta se acaba de cerrar.</b> <ul style="list-style-type: none"> <li>Cuando abre la puerta, aire más caliente entra al refrigerador. Al enfriarse, puede crear un vacío. Si le cuesta abrir la puerta, espere un minuto para permitir que la presión del aire se equalice y, a continuación, compruebe si se abre con más facilidad.</li> </ul>
<b>El refrigerador se tambalea o parece inestable.</b>	<b>El piso no está nivelado.</b> <ul style="list-style-type: none"> <li>Puede ser necesario agregar calibradores debajo de las patas o rodillos de nivelación o para completar la instalación.</li> </ul>
<b>Las luces no funcionan.</b>	<b>Falla de iluminación interior LED.</b> <ul style="list-style-type: none"> <li>La lámpara del compartimento del refrigerador es una iluminación interior LED, por lo que el mantenimiento deberá ser realizado por un técnico calificado.</li> </ul>
<b>El interior del refrigerador está cubierto con polvo u hollín.</b>	<b>El refrigerador está ubicado cerca de una fuente de fuego, como una chimenea o candela.</b> <ul style="list-style-type: none"> <li>Asegúrese de que el refrigerador no se encuentre ubicado cerca de una fuente de fuego, como una chimenea o candela.</li> </ul>

## Ruidos

Problemas	Causas posibles y solución
<b>Haciendo clic</b>	<b>El control de descongelado hará un "clic" cuando el ciclo de descongelado comience y termine. El control del termostato (o control del refrigerador en algunos modelos) también hará un clic al iniciar o finalizar un ciclo.</b> <ul style="list-style-type: none"> <li>Funcionamiento normal</li> </ul>
<b>Traqueteo</b>	<b>Los ruidos de traqueteo pueden proceder del flujo del refrigerante, de la tubería de agua en la parte posterior de la unidad o de artículos almacenados encima o alrededor del refrigerador.</b> <ul style="list-style-type: none"> <li>Funcionamiento normal</li> </ul>
	<b>El refrigerador no está sólidamente apoyado en el suelo.</b> <ul style="list-style-type: none"> <li>El suelo es poco sólido o irregular, o es necesario ajustar las patas de nivelación. Consulte la sección Nivelación y Alineación de las puertas en las instrucciones de instalación.</li> </ul>
	<b>El refrigerador con compresor lineal / inversor se sacudió mientras estaba funcionando.</b> <ul style="list-style-type: none"> <li>Funcionamiento normal</li> </ul>

## 44 SOLUCIÓN DE PROBLEMAS

Problemas	Causas posibles y solución
<b>Crujido</b>	<b>El motor del ventilador del evaporador está circulando el aire a través de los compartimentos del refrigerador.</b> <ul style="list-style-type: none"> <li>• Funcionamiento normal</li> </ul>
	<b>El ventilador del condensador está forzando el paso de aire a través del condensador.</b> <ul style="list-style-type: none"> <li>• Funcionamiento normal</li> </ul>
<b>Gorgoteo</b>	<b>El refrigerante está fluyendo a través del sistema de enfriamiento.</b> <ul style="list-style-type: none"> <li>• Funcionamiento normal</li> </ul>
<b>Golpeteo</b>	<b>Contracción y expansión de las paredes internas debido a cambios en la temperatura.</b> <ul style="list-style-type: none"> <li>• Funcionamiento normal</li> </ul>
<b>Chisporroteo</b>	<b>El agua cayendo en el calentador de descongelación durante un ciclo de descongelado.</b> <ul style="list-style-type: none"> <li>• Funcionamiento normal</li> </ul>
<b>Vibración</b>	<b>Si el lateral o la parte posterior del refrigerador están en contacto con un mueble o una pared, algunas de las vibraciones normales pueden producir un sonido audible.</b> <ul style="list-style-type: none"> <li>• Para eliminar el ruido, asegúrese de que los laterales y la parte posterior no puedan vibrar contra las paredes o los muebles.</li> </ul>
<b>Goteo</b>	<b>Agua cayendo en la batea de drenaje durante el ciclo de descongelado.</b> <ul style="list-style-type: none"> <li>• Funcionamiento normal</li> </ul>
<b>Sonido de pulsación o agudo</b>	<b>Su refrigerador está diseñado para funcionar de forma más eficiente para conservar los alimentos a la temperatura deseada. El compresor de alta eficiencia puede hacer que su nuevo refrigerador funcione durante más tiempo que su antiguo refrigerador, y aun así será más eficiente energéticamente que los modelos anteriores. Mientras el refrigerador está en funcionamiento, es normal escuchar un sonido de pulsación o agudo.</b> <ul style="list-style-type: none"> <li>• Funcionamiento normal</li> </ul>

## Wi-Fi

Problemas	Causas posibles y solución
<b>Problemas para conectar el electrodoméstico y el teléfono inteligente a la red Wi-Fi</b>	<b>Se introdujo una contraseña incorrecta para la red Wi-Fi.</b> <ul style="list-style-type: none"> <li>• Borre su red Wi-Fi doméstica e inicie el proceso de registro de nuevo.</li> </ul>
	<b>Red Móvil está activada en su teléfono inteligente.</b> <ul style="list-style-type: none"> <li>• Desactive los <b>Datos móviles</b> de su teléfono inteligente antes de conectar el electrodoméstico.</li> </ul>
	<b>El nombre de la red inalámbrica (SSID) se ha configurado incorrectamente.</b> <ul style="list-style-type: none"> <li>• El nombre de la red inalámbrica (SSID) debe ser una combinación de letras y números. (No utilice símbolos especiales)</li> </ul>
	<b>La frecuencia del enrutador no es de 2,4 GHz.</b> <ul style="list-style-type: none"> <li>• Sólo se admite una frecuencia de enrutador de 2.4 GHz. Configure el enrutador inalámbrico a 2.4 GHz y conecte el electrodoméstico a éste. Para verificar la frecuencia del enrutador, consulte con su proveedor de servicios de internet o con el fabricante del enrutador.</li> </ul>
	<b>El electrodoméstico y el enrutador están demasiado separados.</b> <ul style="list-style-type: none"> <li>• Si el electrodoméstico está muy lejos del enrutador, puede que la señal sea débil y que la conexión no se configure correctamente. Reubique el enrutador para que esté más cerca del electrodoméstico o adquiera e instale un repetidor Wi-Fi.</li> </ul>

Problemas	Causas posibles y solución
<b>Problemas para conectar el electrodoméstico y el teléfono inteligente a la red Wi-Fi</b>	<b>Durante la configuración de Wi-Fi, la aplicación requiere una contraseña para conectar el producto (en determinados teléfonos).</b> <ul style="list-style-type: none"><li>• Ubique el nombre de la red que comienza con "LG" en Configuración &gt; Redes. Anote la última parte del nombre de la red.<ul style="list-style-type: none"><li>- Si el nombre de la red se asemeja a LGE_Appliance_XX-XX-XX, ingrese lge12345.</li><li>- Si el nombre de la red tiene el siguiente formato LGE_Appliance_XXXX, ingrese XXXX dos veces como su contraseña. Por ejemplo, si el nombre de la red aparece como LGE_Appliance_8b92, entonces debe ingresar 8b928b92 como contraseña. En esta instancia, la contraseña distingue mayúsculas de minúsculas y los últimos 4 caracteres son exclusivos de su electrodoméstico.</li></ul></li></ul>

## 46 GARANTÍA LIMITADA

**GARANTÍA LIMITADA****EE. UU.****TÉRMINOS Y CONDICIONES**

En caso de que su **SIGNATURE KITCHEN SUITE** Refrigerador ("Producto") presente alguna falla por defectos de materiales o de fabricación bajo uso apropiado y normal durante el período de garantía establecido más abajo, será reparado o reemplazado por **SIGNATURE KITCHEN SUITE**, a su opción. Esta garantía limitada es válida únicamente para el comprador final original del Producto ("Usted"), y para productos comprados legalmente y utilizados dentro de los Estados Unidos, incluidos los territorios norteamericanos.

PERÍODO DE GARANTÍA			
Refrigerador/ Congelador	Sistema Sellado (Condensador, Filtro desecante, Tubo Conector y Evaporador)	Compresor	
Tres (3) años a partir de la fecha original de compra	Cinco (5) años a partir de la fecha original de compra	Cinco (5) años a partir de la fecha original de compra	Solo compresor lineal/ inversor: solo partes durante 6-10 años a partir de la fecha original de compra (Usted deberá pagar la mano de obra).
Piezas y mano de obra (solo piezas internas/funcionales)	Piezas y mano de obra	Piezas y mano de obra	

- Los productos y las piezas de repuesto están garantizados durante el tiempo restante del período original de garantía o noventa (90) días, lo que resulte mayor.
- Los Productos y las piezas de repuesto pueden ser nuevos, reparados, reacondicionados, o reconstruidos por la fábrica.
- Los Productos o piezas reemplazados serán propiedad de **SIGNATURE KITCHEN SUITE**.
- Es necesario presentar prueba de la compra minorista especificando el modelo del Producto y la fecha de compra para obtener el servicio de garantía conforme a la presente garantía limitada.

**SALVO LO PROHIBIDO POR LA LEY, TODA GARANTÍA DE COMERCIALIZACIÓN O IDONEIDAD IMPLÍCITA, PARA UN PROPÓSITO PARTICULAR EN EL PRODUCTO, ESTÁ LIMITADA A LA DURACIÓN DE LA GARANTÍA ARRIBA EXPRESADA. BAJO NINGUNA CIRCUNSTANCIA DEBERÁ SIGNATURE KITCHEN SUITE O SUS DISTRIBUIDORES/REPRESENTANTES SER RESPONSABLE POR CUALQUIER DAÑO INDIRECTO, INCIDENTAL, CONSECUENTE, ESPECIAL, O PUNITIVO, LO CUAL INCLUYE PERO NO SE LIMITA A, PÉRDIDA DE FONDOS DEL COMERCIO, GANANCIAS PERDIDAS, INTERRUPCIÓN DEL TRABAJO, DETERIORO DE OTROS BIENES, COSTO DE REMOVER Y REINSTALAR EL PRODUCTO, PÉRDIDA DE USO, O CUALQUIER OTRO DAÑO YA SEA BASADO EN CONTRATO, PERJUICIO, U OTROS. LA RESPONSABILIDAD TOTAL DE SIGNATURE KITCHEN SUITE, EN CASO EXISTA, NO EXCEDERÁ EL PRECIO QUE USTED PAGÓ POR ADQUIRIR EL PRODUCTO.**

**ALGUNOS ESTADOS NO PERMITEN LA EXCLUSIÓN O LIMITACIÓN DE DAÑOS INCIDENTALES O EMERGENTES, O LIMITACIONES A LA DURACIÓN DE LA GARANTÍA IMPLÍCITA, POR LO QUE LA EXCLUSIONES O LIMITACIONES ANTERIORES PODRÍAN NO CORRESPONDER EN SU CASO. ESTA GARANTÍA LIMITADA LE OTORGA DERECHOS LEGALES ESPECÍFICOS, Y ES POSIBLE QUE USTED CUENTE CON OTROS DERECHOS, QUE VARÍAN SEGÚN EL ESTADO.**

## ESTA GARANTÍA LIMITADA NO CUBRE LO SIGUIENTE:

- Viajes del servicio técnico para entregar, buscar o instalar el producto, instruir al cliente sobre la operación del mismo, corregir el cableado o las reparaciones/instalaciones no autorizadas.
- Daño o fallo del producto al operar durante fallas e interrupciones del suministro eléctrico, o resultado de un servicio eléctrico inadecuado.
- Daños o fallos del Producto causados por tuberías de agua rotas o con fugas, tuberías de agua congeladas, líneas de desagüe obstruidas, suministro de agua inadecuado o interrumpido, o suministro de aire inadecuado.
- Daños o fallos del Producto causados por operar el Producto en una atmósfera corrosiva o contraria a las instrucciones detalladas en el manual del usuario del Producto.
- Daños o fallos del Producto causados por accidentes, pestes y alimañas, rayos, viento, incendio, inundaciones, causas de fuerza mayor, o cualquier otra causa fuera del control de **SIGNATURE KITCHEN SUITE**.
- Daños o fallos del Producto causados por modificaciones o alteraciones no autorizadas, o por utilizar el Producto para fines distintos de lo previsto, o pérdida de agua cuando el Producto no se instaló adecuadamente.
- Daños o fallos del Producto causados por corriente eléctrica o voltaje incorrectos, o códigos de cañería.
- Daños o fallos del Producto causados por el transporte, almacenamiento o manipulación, incluidos rayas, muescas, astillados u otros daños al acabado, a menos que tales defectos se informen en el plazo de una (1) semana a partir de la entrega.
- Daños o fallos del Producto causados por mal uso, abuso, instalación, reparación o mantenimiento incorrectos. Una reparación incorrecta incluye el uso de piezas no autorizadas, aprobadas o especificadas por **SIGNATURE KITCHEN SUITE**. La instalación o el mantenimiento inadecuado incluye aquellos contrarios a lo especificado en el manual del usuario del Producto.
- Daños o fallos del Producto causados por el uso de piezas, componentes, accesorios, productos de limpieza consumibles, u otros productos o servicios no autorizados por **SIGNATURE KITCHEN SUITE**.
- Daños o artículos faltantes con la caja abierta o que hayan estado en exhibición.
- Productos reacondicionados o cualquier producto vendido con los avisos "En el estado actual", "En el sitio actual", "Con todos sus defectos" o similares.
- Productos cuyos números de serie originales hayan sido retirados, alterados o no se puedan determinar fácilmente.
- Aumentos en los costos de los servicios públicos y otros gastos adicionales de dichos servicios.
- Cualquier ruido asociado con la operación normal.
- Productos utilizados de otra forma que no sea uso doméstico usual y normal (p. ej., uso comercial o industrial) o de forma contraria al manual del usuario del Producto.
- Costos asociados con la remoción y reinstalación del Producto para reparaciones o la remoción y reinstalación del Producto si está instalado en una ubicación inalcanzable o no está instalado de acuerdo con el Manual del propietario del producto.
- Accesorios, componentes extraíbles o partes consumibles (por ejemplo, estantes, compartimentos de la puerta, cajones, filtros de agua o aire, rejillas, bombillas, baterías, etc. según corresponda), excepto las partes internas/funcionales cubiertas por esta garantía limitada.

**El costo de reparación o reemplazo en estas circunstancias excluidas estará a cargo de Usted.**

PARA OBTENER SERVICIO EN GARANTÍA E INFORMACIÓN ADICIONAL

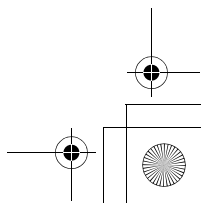
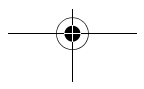
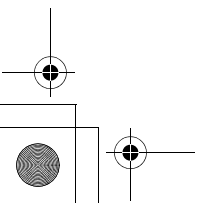
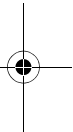
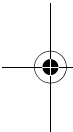
Llame al 1-855-790-6655 y seleccione la opción apropiada desde el menú.

O visite nuestro sitio web en <http://www.signaturekitchensuite.com>.

O por correo: **SIGNATURE KITCHEN SUITE** Customer Service P.O. Box 240007 Huntsville, AL 35813 ATTN: CIC

**48** Memorándum

---



Balayez le code QR pour consulter le manuel.



# MANUEL D'UTILISATION

# RÉFRIGÉRATEUR INTÉGRÉ

Veillez lire attentivement le présent manuel de l'utilisateur avant de faire fonctionner l'appareil et conservez-le à portée de la main pour le consulter en tout temps.

**FRANÇAIS**

SKSFD4826P, SKSFD4826SP, SKSFD4826MT

[www.signaturekitchensuite.com](http://www.signaturekitchensuite.com)

Copyright © 2022-2024 Signature Kitchen Suite. Tous droits réservés

2

## TABLE DES MATIÈRES

### 3 CONSIGNES DE SÉCURITÉ IMPORTANTES

---

- 3 LISEZ TOUTES LES CONSIGNES AVANT  
L'UTILISATION
- 3 AVERTISSEMENTS
- 6 MISES EN GARDE

### 8 APERÇU DU PRODUIT

---

- 8 Caractéristiques du produit

### 10 FONCTIONNEMENT

---

- 10 Avant l'utilisation
- 11 Panneau de commande
- 16 Mode Sabbat
- 16 Distributeur d'eau
- 16 Machine à glaçons automatique
- 18 Stockage des aliments
- 20 Bacs à légumes
- 21 Tiroirs du congélateur
- 24 Tablettes
- 25 Bacs de la porte

### 26 FONCTIONS INTELLIGENTES

---

- 26 Application LG ThinQ
- 28 Fonction Smart Grid
- 30 Fonctionnalité Smart Diagnosis<sup>MC</sup>

### 31 ENTRETIEN

---

- 31 Nettoyage
- 31 Filtre à air
- 32 Filtre à eau

### 37 DÉPANNAGE

---

- 37 FAQ
- 38 Avant d'appeler le réparateur

### 47 GARANTIE LIMITÉE

---

- 47 Canada



# CONSIGNES DE SÉCURITÉ IMPORTANTES

## LISEZ TOUTES LES CONSIGNES AVANT L'UTILISATION

FRANÇAIS

### Messages de sécurité

**Il est très important d'assurer votre sécurité et celle des autres.**

Nous fournissons de nombreux conseils de sécurité importants dans ce manuel et sur votre appareil. Lisez toujours l'ensemble des messages de sécurité et respectez-les.



Ceci est le symbole d'alerte de sécurité.

Ce symbole vous alerte de dangers potentiels qui peuvent causer la mort ou des blessures. Tous les messages de sécurité seront précédés du symbole d'alerte de sécurité et du terme AVERTISSEMENT ou MISE EN GARDE.

Voici le message que ces mots véhiculent :



#### AVERTISSEMENTS

Vous pouvez être tué ou gravement blessé si vous ne suivez pas les consignes.



#### MISES EN GARDE

Vous pouvez être légèrement blessé ou pouvez endommager le produit si vous ne suivez pas les consignes.

Tous les messages de sécurité vous indiqueront quel est le danger potentiel, comment réduire les risques de blessures et ce qui peut se produire en cas de non-respect des consignes.

## AVERTISSEMENTS

### AVERTISSEMENT

- Pour réduire les risques d'explosion, d'incendie, de mort, de décharge électrique, de brûlure ou de blessures lors de l'utilisation de l'appareil, prenez les précautions élémentaires, y compris les suivantes :

### Installation

- Pour éviter tout risque dû à l'instabilité de l'appareil, celui-ci doit être fixé conformément aux instructions.
- Lorsque vous placez l'appareil, veillez à ce que le cordon d'alimentation ne soit pas coincé ou endommagé.
- Ne placez pas de prises de courant multiples ou de blocs d'alimentation portables à l'arrière de l'appareil.

### FONCTIONNEMENT

- Cet appareil est conçu pour être utilisé à des fins domestiques et à d'autres fins de ce type, par exemple :
  - dans le coin cuisine du personnel de magasins, de bureaux et d'autres environnements de travail;
  - dans les fermes et par les clients des hôtels, des motels et d'autres environnements de type résidentiel;
  - dans des environnements comme les gîtes;
  - pour des applications dans le domaine de la restauration et de la vente en gros.
- Cet appareil n'est pas destiné à être utilisé dans des installations portables ou mobiles, telles que les bateaux ou les VR, où il sera en mouvement pendant qu'il fonctionne.

## 4 CONSIGNES DE SÉCURITÉ IMPORTANTES

---

- Cet appareil n'est pas destiné à être utilisé par des personnes (y compris des enfants) dont les capacités physiques, mentales ou sensorielles sont réduites, ou qui n'ont pas l'expérience ou les connaissances pour le faire, à moins d'avoir reçu des instructions et d'avoir été supervisées par une personne responsable de leur sécurité.
- L'appareil n'est pas conçu pour être utilisé à des fins spéciales, comme l'entreposage de médicaments ou de matériel d'essai, ni pour être utilisé sur des bateaux, etc.
- NE permettez PAS aux enfants de grimper ou de se tenir sur les portes de l'appareil ou les tablettes à l'intérieur de celui-ci, ni de s'accrocher à ces mêmes portes et tablettes. Ils pourraient endommager le réfrigérateur et se blesser sérieusement.
- Ne permettez pas aux enfants de grimper à l'intérieur de l'appareil. Ils pourraient demeurer coincés et suffoquer.
- La surveillance des enfants est requise afin de s'assurer qu'ils ne jouent pas avec l'appareil.
- Gardez vos doigts à distance des zones de coincement; les dégagements entre les portes et les armoires sont inévitablement réduits. Soyez prudent lorsque vous fermez les portes de l'appareil et que des enfants se trouvent à proximité de celui-ci.
- Ne touchez pas les aliments surgelés ou les composants métalliques du congélateur si vos mains sont mouillées ou humides. Cela pourrait entraîner des gelures.
- Ne recongelez pas des aliments surgelés qui ont été complètement décongelés. Cela pourrait être dangereux pour la santé.
- N'utilisez pas de fiche d'adaptation et ne branchez pas la fiche d'alimentation électrique sur une rallonge électrique à prises multiples.
- Si le cordon d'alimentation électrique est endommagé, il doit être remplacé par le fabricant ou par son agent de service ou encore une personne qualifiée possédant ce type de compétences pour éviter un risque.
- Ne faites pas fonctionner le réfrigérateur et ne touchez pas le cordon d'alimentation si vos mains sont mouillées.
- Ne modifiez et ne prolongez pas le cordon d'alimentation.
- N'utilisez pas une prise de courant non homologuée. Ne branchez pas l'appareil sur une prise de courant murale si celle-ci est endommagée.
- Ne placez pas vos pieds ou vos mains, ou encore des objets dans les événements d'aération ou au bas du réfrigérateur. Cela pourrait causer des blessures ou provoquer une décharge électrique.
- En cas de fuite de gaz (propane, GPL), assurez-vous que les lieux sont bien ventilés et contactez un centre de services autorisé avant de remettre l'appareil en fonction. Ne touchez pas le réfrigérateur ou son bouton d'alimentation.
- Si un bruit étrange, une odeur particulière ou de la fumée proviennent de l'appareil, coupez immédiatement l'alimentation de l'appareil et contactez un centre de services autorisé.
- N'utilisez pas de fusible (comme du cuivre, un fil d'acier), à l'exception d'un fusible standard.
- Ne placez pas et n'utilisez pas d'appareil électrique à l'intérieur du réfrigérateur, sauf s'il s'agit d'un type d'appareil recommandé par le fabricant.
- Ne placez pas d'animaux à l'intérieur de l'appareil.
- Ne placez pas d'objets lourds ou fragiles, de contenants emplis de liquide, de produits combustibles ou d'objets inflammables (comme des bougies et des lampes) sur l'appareil.
- En cas de branchement sur un circuit protégé par des fusibles, utilisez un fusible temporisé.
- Maintenez libres de toute obstruction les ouvertures de ventilation qui se trouvent dans l'enceinte de l'appareil ou dans la structure intégrée.
- N'utilisez pas de dispositifs mécaniques ou d'autres moyens pour accélérer le processus de dégivrage autres que ceux recommandés par le fabricant.
- N'utilisez pas d'appareils électriques à l'intérieur des compartiments pour nourriture de l'appareil, sauf s'ils sont d'un type recommandé par le fabricant.
- Ne rangez pas de substances explosives telles que des aérosols avec un gaz propulseur inflammable dans cet appareil.

- N'endommagez pas le circuit frigorifique.
- Un circuit de dérivation individuel correctement mis à la terre ou un disjoncteur doit être utilisé au cas où le produit doit être déconnecté après l'installation.
- Cet appareil est doté d'une mise à la terre à des fins fonctionnelles.
- Branchez l'appareil à une source d'eau potable seulement.
  - Si vous êtes raccordé à une alimentation en eau, raccordez-le uniquement à une alimentation en eau potable.
- Utilisez uniquement de l'eau potable.
  - Si vous utilisez une machine à glaçons ou un réservoir d'eau de distributeur, veillez à le remplir uniquement d'eau potable.

## Entretien

- N'utilisez pas de séchoir à cheveux pour sécher l'intérieur de l'appareil.
- N'allumez pas de bougie pour dissiper les odeurs à l'intérieur de l'appareil.
- Si une fuite de frigorigène survient, éloignez les objets inflammables de l'appareil. Assurez-vous que les lieux sont bien ventilés et contactez un centre de services autorisé.
- Éloignez du réfrigérateur toutes les matières et vapeurs inflammables comme l'essence.
- Cet appareil est conçu pour être utilisé à des fins domestiques et à d'autres fins de ce type, par exemple dans le coin cuisine du personnel des magasins, des bureaux et d'autres environnements de travail; dans les fermes et par les clients des hôtels, des motels et d'autres environnements de type résidentiel; dans des environnements comme les gîtes; pour des applications dans le domaine de la restauration et de la vente en gros.
- Coupez l'alimentation avant de nettoyer ou de réparer le réfrigérateur.
- L'éclairage à l'intérieur du réfrigérateur et du congélateur est un éclairage à DEL, et son entretien doit être réalisé par un technicien qualifié.
- Coupez immédiatement l'alimentation de l'appareil si une panne de courant ou un orage survient.
- Éteignez l'alimentation de l'appareil si de l'eau ou de la poussière pénètre à l'intérieur de celui-ci. Appelez un agent du centre de services.
- Ne placez pas de contenants en verre ni de boissons gazeuses dans le congélateur. Le contenu liquide peut prendre de l'expansion lorsqu'il est congelé, endommager le contenant et causer des blessures.
- N'entreposez pas, ne démontez pas et ne réparez pas l'appareil vous-même, et ne laissez pas un employé non qualifié le faire.
- Ne rangez pas de substances explosives telles que des aérosols avec un gaz propulseur inflammable dans cet appareil.
- Si le cordon d'alimentation électrique est endommagé, il doit être remplacé par le fabricant uniquement ou par son agent de service ou encore une personne qualifiée possédant ce type de compétences pour éviter un risque.

## Mise au rebut

- Risque de piégeage d'enfants. Les appareils abandonnés sont dangereux, même si cette situation ne dure que quelques jours. Lorsque vous voulez mettre l'appareil au rebut, retirez les matériaux d'emballage des portes ou retirez les portes en laissant les tablettes en place afin que les enfants ne puissent pas grimper facilement à l'intérieur de l'appareil.
- Si vous souhaitez mettre le réfrigérateur au rebut, assurez-vous que le frigorigène et la mousse isolante ont été retirés et seront éliminés de façon adéquate par un centre de services autorisé. Si vous êtes responsable d'une fuite de frigorigène ou jetez la mousse isolante, vous pourriez être passible d'une amende ou d'un emprisonnement en vertu des lois environnementales applicables. La mousse isolante contient des gaz agissant comme agents de gonflement.

## 6 CONSIGNES DE SÉCURITÉ IMPORTANTES

---

- Lorsque vous mettez l'appareil au rebut, retirez le joint d'étanchéité de la porte en laissant les tablettes et les bacs en place, et tenez les enfants à l'écart de l'appareil.

### Instructions de mise à la terre

- La connexion incorrecte du conducteur pour relier les appareils à la terre peut créer un risque de décharge électrique. Vérifiez avec un électricien compétent ou un personnel de service si vous n'êtes pas certain que l'appareil est correctement mis à la terre. Ne modifiez pas la fiche fournie avec l'appareil; si elle ne rentre pas dans la prise, faites installer une prise appropriée par un électricien compétent.
- Assurez-vous qu'un électricien qualifié examine la prise de courant murale et le câblage, et qu'il confirme que la mise à la terre est adéquate.

### Risque d'incendie et matériaux inflammables



Ce symbole vous avertit de la présence de matériaux inflammables qui peuvent s'enflammer et provoquer un incendie si vous n'y prenez pas garde.

Cet appareil contient une petite quantité de réfrigérant isobutane (R600a), qui est combustible. Lors du transport et de l'installation de l'appareil, veillez à ce qu'aucune partie du circuit frigorifique ne soit endommagée. En cas de fuite du réfrigérant, celui-ci pourrait s'enflammer ou provoquer une blessure aux yeux. Si une fuite est détectée, éloignez les flammes nues ou les sources potentielles d'inflammation et aérez la pièce dans laquelle l'appareil se trouve pendant plusieurs minutes.

Afin d'éviter la formation d'un mélange d'air et de gaz inflammable en cas de fuite dans le circuit frigorifique, la taille de la pièce dans laquelle l'appareil est utilisé est déterminée selon la quantité de réfrigérant utilisée. La pièce doit avoir une taille de 10,8 pi (1 m) pour chaque 8 g de réfrigérant R600a dans l'appareil. La quantité de réfrigérant qui se trouve dans votre appareil est indiquée sur la plaque d'identification située à l'intérieur de celui-ci. Ne mettez jamais en marche un appareil qui présente des signes de dommages. En cas de doute, consultez votre revendeur.

## MISES EN GARDE

### ! MISE EN GARDE

- Pour réduire les risques de blessures mineures, de pannes ou de dommages causés à l'appareil ou à la propriété lors de l'utilisation de l'appareil, prenez les précautions élémentaires, y compris les suivantes :

### Installation

- N'installez pas l'appareil à un endroit à partir duquel il risque de tomber.
- L'appareil doit être installé correctement, conformément aux instructions d'installation.

### FONCTIONNEMENT

- N'utilisez pas d'aérosols à proximité de l'appareil.
- L'appareil est conçu pour être utilisé seulement à des fins domestiques et à d'autres fins de ce type.
- N'appliquez pas une force excessive et ne frappez pas sur toute surface de verre. Ne touchez pas les surfaces de verre si elles sont fissurées ou endommagées.
- Ne placez pas trop d'articles ou des articles trop rapprochés les uns des autres dans les balconnets. Cela pourrait endommager les balconnets ou causer des blessures aux utilisateurs si les articles sont retirés des balconnets avec force.

- Ne placez pas une quantité excessive d'aliments dans l'appareil. Cela pourrait causer des blessures aux utilisateurs ou des dommages matériels.

### Entretien

- N'utilisez pas de puissants détergents comme de la cire ou des diluants pour nettoyer l'appareil. Nettoyez-le à l'aide d'un linge doux.
- Retirez les corps étrangers (comme la poussière et l'eau) des zones de contact et des broches de la fiche d'alimentation. N'utilisez pas de linge mouillé ou humide pour nettoyer la fiche.
- Ne vaporisez pas d'eau directement sur les surfaces intérieures ou extérieures de l'appareil.
- Ne nettoyez pas les tablettes ou les couvercles en verre avec de l'eau chaude lorsqu'ils sont froids. Une exposition à un changement brusque de température peut les endommager.

**GARDEZ CES CONSIGNES**

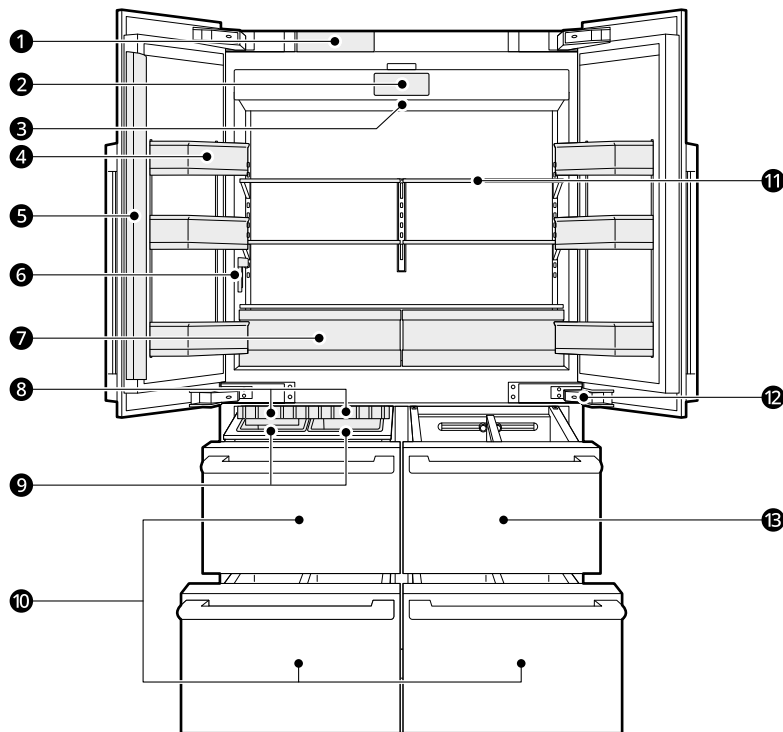
## 8 APERÇU DU PRODUIT

# APERÇU DU PRODUIT

## Caractéristiques du produit

Les illustrations contenues dans ce manuel peuvent être différentes des composants et accessoires réels, et ceux-ci peuvent être modifiés sans préavis par le fabricant dans le but d'améliorer le produit.

### Intérieur



#### ❶ Filtre à eau

Purifie l'eau.

### REMARQUE

- Le filtre à eau doit être remplacé tous les six mois.
- Consultez la section **Remplacement du filtre à eau** du présent manuel pour plus de détails.

#### ❷ Panneau de commande

Permet de régler la température du réfrigérateur et du congélateur ou d'autres fonctions.

#### ❸ Éclairage intérieur à DEL

Éclaire l'intérieur du réfrigérateur.

#### ❹ Balconnet amovible

Permet de conserver les boissons et les aliments froids.

#### ❺ Cloison de porte

Empêche l'air froid de s'échapper du réfrigérateur lorsque les portes sont fermées.

**⚠ MISE EN GARDE**

- Pour éviter de rayer la porte ou de briser la cloison de porte centrale, assurez-vous que cette dernière est repliée avant de fermer la porte de gauche.
- L'avertisseur de porte ouverte retentit toutes les 30 secondes si la porte reste ouverte plus d'une minute.

**6 Distributeur d'eau**

Distribue de l'eau déminéralisée.

**7 Bac à légumes**

Aide à conserver la fraîcheur des fruits et des légumes.

**8 Machine à glaçons automatique (congélateur)**

Distribue automatiquement de la glace dans le bac à glaçons.

**9 Bac à glaçons**

Permet de stocker les glaçons produits par la machine à glaçons du congélateur.

**10 Tiroir du congélateur**

Conserve les aliments surgelés.

**11 Tablette ajustable**

Les tablettes du réfrigérateur sont ajustables pour répondre à tout type de besoins en matière de rangement.

**12 Charnière à fermeture automatique**

Les portes du réfrigérateur et le tiroir du congélateur se ferment automatiquement à l'aide d'une légère poussée. (Les portes se ferment automatiquement seulement lorsqu'elles sont ouvertes à un angle de moins de 30°.)

**13 Tiroir convertible**

Espace de rangement à température variable qui peut être ajustée à un niveau plus ou moins froid que le reste du réfrigérateur.

**⚠ MISE EN GARDE**

- L'avertisseur de porte ouverte retentit toutes les 30 secondes si la porte reste ouverte plus d'une minute.

**Caractéristiques du produit**

L'aspect et les caractéristiques énumérés dans le présent manuel peuvent varier en raison des constantes améliorations apportées au produit.

**Exigences électriques :** 115 V, 60 Hz

**Pression de l'eau min./max. :** 20 à 120 psi (138 à 827 kPa)

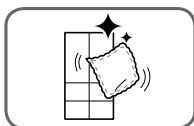
Modèle	Description	Poids net
SKSFD4826P	Réfrigérateur encastré	668 lb (303 kg)
SKSFD4826SP	Réfrigérateur encastré	772 lb (350 kg)
SKSFD4826MT	Réfrigérateur encastré	771 lb (349,8 kg)

## 10 FONCTIONNEMENT

# FONCTIONNEMENT

## Avant l'utilisation

### Liste de vérification

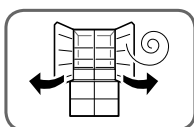


#### Nettoyez le réfrigérateur.

Nettoyez le réfrigérateur à fond et enlevez toute la poussière qui s'est accumulée pendant le transport.

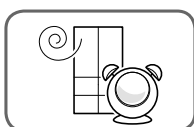
#### ⚠ MISE EN GARDE

- Ne grattez pas le réfrigérateur avec un objet pointu et n'utilisez pas de détergent qui contient de l'alcool, du liquide inflammable ou une substance abrasive pour retirer le ruban adhésif ou la colle du réfrigérateur. Enlevez les résidus de colle en les essuyant avec votre pouce ou du détergent à vaisselle.
- Ne retirez pas l'étiquette du numéro de modèle ou de série ou les informations techniques sur la surface arrière du réfrigérateur.



#### Ouvrez les portes du réfrigérateur et les tiroirs du congélateur pour ventiler l'intérieur.

L'intérieur du réfrigérateur peut dégager une odeur de plastique au début. Enlevez tout ruban adhésif de l'intérieur du réfrigérateur et ouvrez les portes du réfrigérateur et les tiroirs du congélateur à des fins de ventilation.

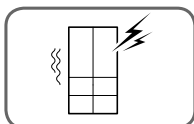


#### Attendez que le réfrigérateur refroidisse.

Laissez votre réfrigérateur en marche de deux à trois heures au moins avant d'y mettre des aliments. Vérifiez le flux d'air froid dans le compartiment du congélateur pour assurer un refroidissement correct.

#### ⚠ MISE EN GARDE

- Attendez que les aliments aient refroidi avant de les placer dans le réfrigérateur, sinon ils pourraient se gâter ou laisser une mauvaise odeur tenace à l'intérieur du réfrigérateur.



#### Le réfrigérateur émet un bruit fort après la mise en marche initiale.

C'est normal. Le volume diminue à mesure que la température baisse.

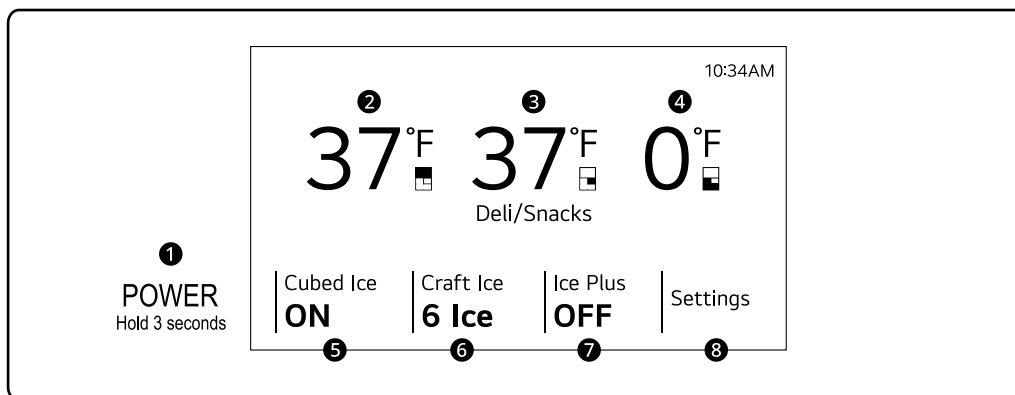


## Panneau de commande

Selon le modèle, certaines des fonctions suivantes pourraient ne pas être offertes.

Le panneau de commande réel peut différer d'un modèle à l'autre.

### Caractéristiques du panneau de commande



#### 1 POWER

La touche **POWER** éteint tout courant électrique vers l'unité.

Maintenez la touche **POWER** enfoncée pendant trois secondes pour éteindre le courant. Lorsqu'il n'y a plus de courant, l'affichage est également éteint. Il n'est pas nécessaire d'éteindre le courant à partir du disjoncteur ou de la prise au mur. Utilisez cette fonction lors de l'entretien ou lors de vacances prolongées.

#### 2 Température du réfrigérateur

Indique la température du compartiment du réfrigérateur en Celsius (°C) ou en Fahrenheit (°F). La température par défaut du réfrigérateur est de 3 °C (37 °F). Appuyez sur la touche de la température, puis sur **▲/▼** pour sélectionner une nouvelle température comprise entre 1 °C et 7 °C (entre 33 °F et 43 °F).

#### 3 Température du tiroir convertibles

Un espace de rangement à température variable qui peut être ajustée à un niveau plus ou moins froid que le reste du réfrigérateur. Rangez la viande et les fruits de mer à -1 °C (30 °F), les boissons froides à 1 °C (33 °F), les collations à 3 °C (37 °F), ou le vin froid à 5 °C (41 °F).

Pour utiliser le tiroir convertibles comme congélateur, appuyez plusieurs fois sur **▼** pour sélectionner **Freezer**. Par exemple, si le congélateur est à une température de -18 °C (0 °F), cette température s'affichera automatiquement à l'écran.

Une fois le tiroir convertibles en mode Congélateur, sa température correspondra à celle du congélateur. Changer la température du congélateur changera automatiquement celle du tiroir.

#### 4 Température du congélateur

Indique la température du compartiment du congélateur en Celsius (°C) ou en Fahrenheit (°F). La température par défaut du congélateur est de -18 °C (0 °F). Appuyez sur la touche de la température, puis sur **▲/▼** pour sélectionner une nouvelle température comprise entre -23 °C et -15 °C (entre 7 °F et 5 °F).

### REMARQUE

- Pour changer l'unité de température de degrés Fahrenheit en degrés Celsius (ou vice versa), appuyez sur **Settings**, puis sur **Temperature Unit**.
- La température affichée est la température cible, et non la température réelle du réfrigérateur. La température réelle du réfrigérateur dépend des aliments stockés dans le réfrigérateur.

## 12 FONCTIONNEMENT

### 5 Cubed Ice

Appuyez sur les touches **ON** ou **OFF** sous **Cubed Ice** pour mettre la machine à glaçons **Cubed Ice** sous tension ou hors tension.

### 6 Craft Ice

Appuyez sur la touche **Craft Ice** pour alterner entre les modes **3 Ice**, **6 Ice** et **Off**.

- Pour mettre la machine à glaçons **Craft Ice** hors tension, sélectionnez le mode **Off**.
- Pour mettre la machine à glaçons **Craft Ice** sous tension, sélectionnez le mode **3 Ice** ou **6 Ice**.

### REMARQUE

- Pour produire plus de glaçons, sélectionnez le mode **6 Ice**. Pour obtenir des glaçons plus limpides, sélectionnez le mode **3 Ice**.

### 7 Ice Plus

Cette fonction augmente aussi bien les capacités de production de glace que de congélation.

- Appuyez sur la touche **OFF** sous **Ice Plus** pour allumer le mode **Ice Plus** et activer la fonction pendant 24 heures. La fonction s'éteindra automatiquement après 24 heures.
- Arrêtez la fonction manuellement en appuyant sur **ON** sous **Ice Plus**.

### 8 Settings

Ajustez les paramètres après la configuration initiale.

- Liste des paramètres

**Water Filter, Wi-Fi, Control Lock, Temperature Unit, Date, Time, Clock Theme, Brightness, Smart Grid, Sabbath, Smart Diagnosis, Service Call**

### REMARQUE

#### Mode Démonstration (pour une utilisation en magasin uniquement)

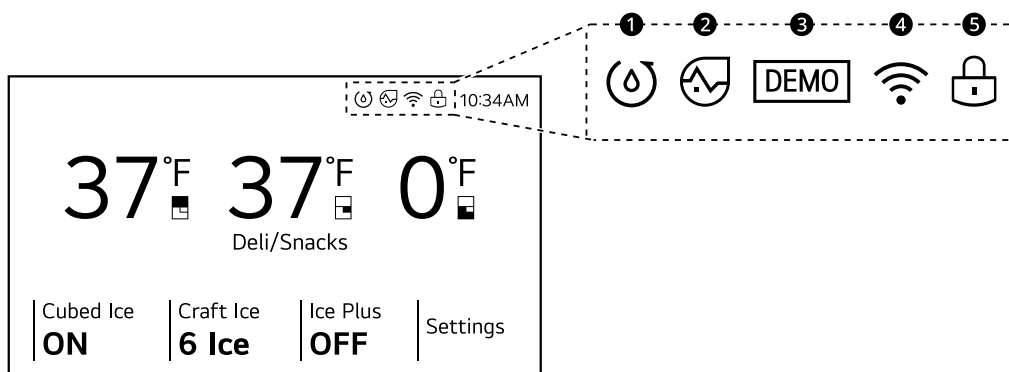
- Le **mode Démonstration** désactive tout refroidissement dans le réfrigérateur et le congélateur afin de conserver l'énergie lors de la présentation en magasin.






- Pour désactiver ou activer le mode :

Appuyez sur **Settings**, puis sur **Brightness**. Appuyez sur le coin supérieur droit de l'écran 15 fois. À ce moment-là, le message « **Demo mode is off** » s'affichera et l'icône du mode Démonstration disparaîtra du coin supérieur droit de l'écran. Utilisez la même procédure pour activer le mode Démonstration.

### Icônes d'affichage

Les icônes s'affichent à l'écran lorsqu'elles sont activées.



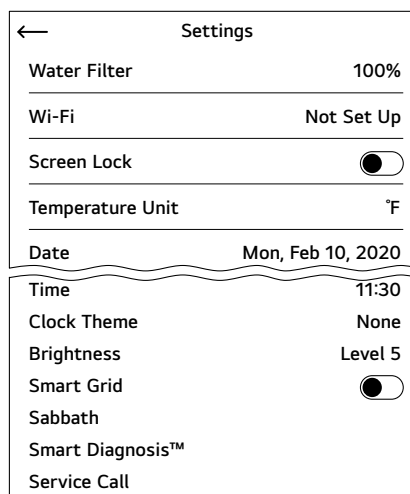
	<b>1 Water filter</b> S'affiche lorsque le filtre à eau doit être remplacé.
 Grid	<b>2 Smart Grid</b> <ul style="list-style-type: none"> <li>S'affiche lorsque la fonction Smart Grid est activée.</li> <li>S'affiche lorsque le réfrigérateur répond à un message de gestion de la demande (GD) de la compagnie d'électricité.</li> </ul>
	<b>3 Demo Mode (pour utilisation en magasin seulement)</b> S'affiche lorsque le mode Démonstration est activé.
	<b>4 Wi-Fi</b> S'affiche lorsque le réfrigérateur est connecté à un réseau Wi-Fi.
	<b>5 Screen Lock</b> S'affiche lorsque le verrouillage d'écran est activé.

## Pour commencer

Après avoir mis sous tension le réfrigérateur pour la première fois, ajustez les paramètres selon vos préférences.

- 1 Ajustez la date, puis appuyez sur **NEXT**.
- 2 Ajustez l'heure, puis appuyez sur **NEXT**.
- 3 Sélectionnez le thème de l'horloge, puis appuyez sur **NEXT**.
- 4 L'écran principal apparaît sur l'affichage.

Balayez l'écran pour naviguer dans les écrans des paramètres.



## Paramètres

Pour ajuster les paramètres après la configuration initiale, appuyez sur **Settings** dans le coin inférieur droit de l'écran principal.

## Filtre à eau

La durée de vie restante du filtre sera affichée sous forme de pourcentage allant de 100 à 0 %. Réinitialisez la durée de vie du filtre à eau après avoir remplacé le filtre à eau.

## Réinitialisation de la durée de vie du filtre

- 1 Appuyez sur **Settings** dans le coin inférieur droit de l'écran principal. La durée de vie restante du filtre apparaîtra.
- 2 Pour remplacer le filtre à eau, consultez la section **Remplacement du filtre à eau**.


## 14 FONCTIONNEMENT

- 3 Appuyez sur **RESET** après avoir remplacé le filtre à eau.
- 4 La durée de vie restante reviendra à 100 %.

### Wi-Fi

Connectez l'appareil à un réseau Wi-Fi domestique pour utiliser les fonctions intelligentes. Consultez la section **Fonctions intelligentes** pour plus de détails.


#### Configuration du Wi-Fi

- 1 Appuyez sur **Settings** dans le coin inférieur droit de l'écran principal, puis sur **Wi-Fi**.
- 2 Appuyez sur **Set Up Wi-Fi**.
- 3 Suivez les instructions affichées à l'écran.
- 4 Si le Wi-Fi est bien connecté, l'icône Wi-Fi  s'affichera en haut de l'écran.
  - Si le Wi-Fi affiche le statut **Disconnected**, appuyez sur **Wi-Fi**, puis sur **Reset Wi-Fi**, et suivez les instructions à nouveau.

### Verrouillage de l'écran

La fonction de verrouillage de l'écran empêche automatiquement que certains réglages soient mis en marche.

#### Lock (Verrouillage)

- 1 Appuyez sur **Settings** dans le coin inférieur droit de l'écran principal.
- 2 Activez le commutateur à bascule du verrouillage de l'écran.
- 3 Lorsque le verrouillage à l'écran est activé, l'icône de verrouillage  apparaît en haut de l'affichage.

### Déverrouillage

- 1 Appuyez sur n'importe quel emplacement à l'écran alors que le verrouillage de l'écran est activé.
- 2 Une fenêtre contextuelle apparaît. Appuyez sur **Unlock** pendant trois secondes.
- 3 L'icône de verrouillage disparaîtra du haut de l'affichage.

### Unité de température

Réglez l'affichage de la température pour que ce soit en degrés Fahrenheit ou en degrés Celsius.

Le réfrigérateur affiche des degrés Fahrenheit par défaut, à moins que l'utilisateur ne les change.


#### Réglage de l'unité de température

- 1 Appuyez sur **Settings** dans le coin inférieur droit de l'écran principal, puis sur **Temperature Unit**.
- 2 Sélectionnez °F ou °C.

### Date et heure

La date et l'heure sont affichées sur l'écran lorsque vous réglez le thème de l'horloge à **Time and Date**.

#### Réglage de la date

- 1 Appuyez sur **Settings** dans le coin inférieur droit de l'écran principal, puis sur **Date**.
- 2 Appuyez sur  pour régler la date voulue.
- 3 Appuyez sur  pour appliquer le réglage.

#### Réglage de l'heure de la journée

- 1 Appuyez sur **Settings** dans le coin inférieur droit de l'écran principal, puis sur **Time**.

## 2 Réglez les paramètres **Time Format**, **Current Time**, ou **Daylight Saving Time**.

### • **Time Format**

- Sélectionnez le mode d'horloge de 12 ou de 24 heures (12 h/24 h).

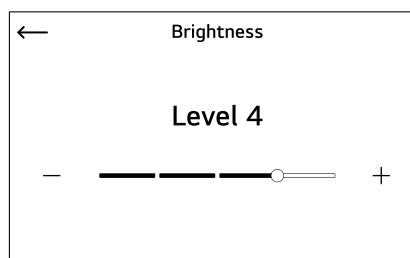
### • **Current Time**

- Sélectionnez l'heure et les minutes appropriées.
- Si l'appareil est connecté au réseau Wi-Fi, l'heure actuelle est réglée au mode **Auto**.

### • **Daylight Saving Time**

- Lorsque la fonction est activée, une heure est ajoutée à l'heure d'origine.
- En mode Auto, **Daylight Saving Time** s'active automatiquement.

## 3 Appuyez sur ← pour appliquer le réglage.



## Thème de l'horloge

Le réglage par défaut est **None**. L'horloge s'affiche sur l'écran principal de l'affichage.

- 1 Appuyez sur **Settings** dans le coin inférieur droit de l'écran principal, puis sur **Clock Theme**.
- 2 Sélectionnez un thème pour l'horloge et appuyez sur **OK**.

## Luminosité

Ajustez la luminosité de l'écran à DEL du niveau 1 à 5.

## Ajustement de la luminosité de l'écran

- 1 Appuyez sur **Settings** dans le coin inférieur droit de l'écran principal, puis sur **Brightness**.
- 2 Ajustez la luminosité de l'écran en appuyant sur le point sur la barre et en le faisant glisser, en tapant sur n'importe quel emplacement sur la barre, ou en appuyant sur + ou sur -.

## Smart Grid (réseaux intelligents)

La fonction Smart Grid est offerte uniquement si votre fournisseur d'électricité fournit des services pour cette fonction.

## Configuration de Smart Grid

- 1 Appuyez sur **Settings** dans le coin inférieur droit de l'écran principal, puis sur **Smart Grid**.
- 2 Allumez le commutateur à bascule de **Use Smart Grid**.

### REMARQUE

- La fonction s'active automatiquement lorsque le réfrigérateur est connecté au réseau Wi-Fi.
- Lorsque la fonction est activée et que le réfrigérateur reçoit un signal de réponse à la demande du fournisseur d'électricité, la fonction **Cancel responding** s'activera. Pour interrompre le signal de réponse à la demande, appuyez sur **Cancel responding**.

## Smart Diagnosis<sup>MC</sup>

Smart Diagnosis<sup>MC</sup> peut être utilisée pour diagnostiquer les problèmes du produit selon vos habitudes d'utilisation. Smart Diagnosis<sup>MC</sup> peut être exécutée par une application pour téléphone intelligent ou en appelant le soutien technique.

## Utilisation de Smart Diagnosis

- 1 Appuyez sur **Settings** dans le coin inférieur droit de l'écran principal, puis sur **Smart Diagnosis**.
- 2 Appuyez sur **START**.

## 16 FONCTIONNEMENT

### Appel de service

**Service Call** fournit des services sous garantie et des renseignements supplémentaires.

Appuyez sur **Settings** dans le coin inférieur droit de l'écran principal, puis sur **Service Call**.

### Mode Sabbat

Cette fonctionnalité est offerte sur certains modèles seulement.

#### Utilisation du mode Sabbat

Le mode Sabbat est utilisé lors du Sabbat juif et des jours fériés.

- Pour activer le mode Sabbat, appuyez sur **Settings**, puis sur **Sabbath**. Appuyez sur **START**.
- Pour désactiver le mode Sabbat manuellement, appuyez sur n'importe quel emplacement de l'écran, puis sur **OK**.

#### REMARQUE

- Le mode Sabbat s'éteint automatiquement après 96 heures.
- Une fois activé, le mode Sabbat est maintenu même après une panne de courant.
- La sélection du mode Sabbat désactive automatiquement les fonctionnalités d'alarme et de lumière.
- Le distributeur et la machine à glaçons sont désactivés en mode Sabbat sur les modèles admissibles.

### Distributeur d'eau

#### ⚠ AVERTISSEMENT

- Branchez l'appareil à une source d'eau potable seulement.

#### Avant d'utiliser le distributeur d'eau

#### ⚠ MISE EN GARDE

- Gardez les enfants loin du distributeur. Ils pourraient jouer avec les commandes ou les endommager.
- Si de l'eau est distribuée de façon inattendue, coupez l'alimentation en eau et appelez le centre de service à la clientèle de SIGNATURE KITCHEN SUITE.

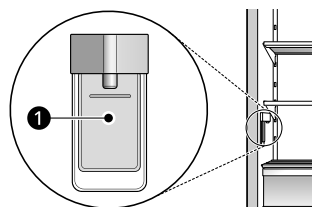
- Après l'installation, faites couler environ neuf litres d'eau (ce qui prendra environ cinq minutes) pour éliminer l'air et les contaminants du système.
- N'utilisez jamais de verre trop étroit ou profond.
- N'accrochez pas et ne placez pas d'objets lourds sur le distributeur de l'appareil.

#### REMARQUE

- Lors de la première utilisation, l'eau distribuée peut contenir des particules ou dégager des odeurs provenant de la conduite d'eau ou du réservoir d'eau. Cela est aussi le cas si le réfrigérateur n'a pas été utilisé pendant une longue période.
- Quelques gouttes peuvent tomber après la distribution. Tenez votre tasse sous le distributeur pendant quelques secondes après la distribution pour recueillir toutes les gouttes.
- Gardez les récipients à une distance acceptable du distributeur. Si vous distribuez de l'eau dans un récipient doté d'une très petite ouverture, placez-le aussi près du distributeur que possible pour éviter les débordements.

#### Utilisation du distributeur d'eau

Appuyez sur le levier ① du distributeur avec un verre ou un autre récipient pour obtenir de l'eau.



### Machine à glaçons automatique

#### ⚠ AVERTISSEMENT

- NE placez PAS vos doigts dans la machine à glaçons automatique lorsque le réfrigérateur est branché.
- Évitez tout contact avec les pièces mobiles du mécanisme d'éjection ou avec l'élément chauffant qui libère les cubes de glace.
- Branchez l'appareil à une source d'eau potable seulement.

## Avant d'utiliser la machine à glaçons du congélateur

### ⚠ MISE EN GARDE

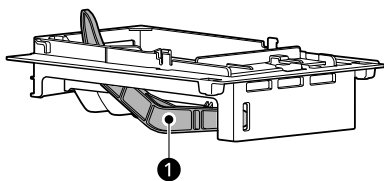
- Tenez vos mains et vos outils à l'écart du compartiment à glaçons. Le non-respect de ces consignes peut entraîner des dommages ou des blessures.
- Jetez les premiers lots de glace produits après l'installation. Cela est également nécessaire si le congélateur n'a pas été utilisé pendant une longue période.
- Ne stockez jamais de cannettes ou d'autres articles dans le bac à glaçons dans le but de les refroidir rapidement. Cela pourrait endommager la machine à glaçons et les contenants pourraient éclater.

### REMARQUE

- La machine à glaçons commence à produire des glaçons environ 12 heures après l'installation initiale du réfrigérateur.
- Jeter les premiers lots de glace produits après l'installation.
- Le son des glaçons tombant dans le bac est normal.
- Si le bac à glaçons est rempli au maximum de sa capacité, la production de glaçons cessera.
- La quantité de glace et la forme de celle-ci peuvent varier selon l'environnement (température ambiante, le nombre de fois où la porte est ouverte, la quantité de nourriture dans l'appareil, la pression de l'eau, etc.).
- En cas de panne de courant, jeter la glace stockée dans le bac à glaçons.

## Machine à glaçons du congélateur (cubes de glace)

Cette fonctionnalité est offerte sur certains modèles seulement.



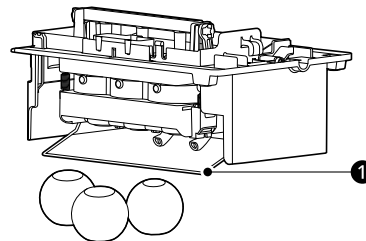
1 Levier

### REMARQUE

- La machine à glaçons automatique du congélateur produit 12 cubes à la fois, 50 à 110 glaçons par période de 24 heures si les conditions sont favorables. Cette quantité peut varier selon l'environnement (la température ambiante, le nombre de fois où la porte est ouverte, la quantité d'articles dans l'appareil, etc.).
- Les glaçons stockés dans le bac à glaçons pendant une période prolongée peuvent s'agglutiner et vous pourriez éprouver de la difficulté à les séparer. Dans ce cas, videz complètement le bac à glaçons et nettoyez-le avant de le remettre en place.

## Machine à glaçons du congélateur (Craft Ice<sup>MC</sup>)

Cette fonctionnalité est offerte sur certains modèles seulement.



1 Levier

### REMARQUE

- La machine à glaçons commence à produire des glaçons environ 48 heures après l'installation initiale de l'appareil. Les premiers glaçons pourraient ne pas être sphériques et transparents.
- Les premiers glaçons produits après l'installation de l'appareil ou le remplacement du filtre à eau pourraient être semi-circulaires ou contenir des bulles d'air.
- La forme des glaçons peut varier si la pression de l'eau est inférieure à 20 psi (138 kPa) ou qu'un système par osmose inverse est utilisé.
- Les glaçons peuvent sembler troubles selon la qualité de l'eau à l'emplacement d'installation et les conditions d'utilisation.
- Jetez tous les morceaux de glace qui pourraient se trouver dans le bac à glaçons, car ils peuvent coller aux glaçons.

## 18 FONCTIONNEMENT

### REMARQUE

- Après une brève panne de courant, il faudra plus de temps pour produire les premiers glaçons, et ceux-ci pourraient ne pas être formés en boule. Si le courant est coupé pour une plus longue période, jetez les glaçons stockés dans le bac à glaçons.
- La machine à glaçons **Craft Ice** produit un lot de glaçons sphériques (3 glaçons) à la fois.
- En mode **3 Ice**, la machine à glaçons **Craft Ice** produit un lot de glaçons sphériques (3 glaçons) toutes les 24 heures environ. En mode **6 Ice**, la machine à glaçons **Craft Ice** produit deux lots de glaçons sphériques (6 glaçons) pendant la même période.
- Pour produire plus de glaçons, sélectionnez le mode **6 Ice**. Pour obtenir des glaçons plus limpides, sélectionnez le mode **3 Ice**.
- Le temps requis pour produire des glaçons peut varier selon les conditions de fonctionnement.
- Le bac à glaçons peut contenir de 20 à 30 glaçons en boule.

### Mise en marche et arrêt de la machine à glaçons

Pour mettre les machines à glaçons sous tension ou hors tension, consultez la rubrique Panneau de commande dans la section Fonctionnement.

### Les sons normaux que vous entendrez

- Si vous laissez la machine à glaçons en marche avant qu'elle soit raccordée à l'arrivée d'eau, vous risquez de l'endommager.
- Vous entendrez le son des glaçons qui tombent dans le bac et l'eau qui circule dans les tuyaux lorsque la machine à glaçons se remplit à nouveau.
- La vanne d'arrivée d'eau de la machine à glaçons émettra un bourdonnement pendant le remplissage de la machine. Si les machines à glaçons sont mises sous tension, elles émettront un bourdonnement même si elles n'ont pas encore été raccordées à l'arrivée d'eau.

Pour arrêter le bourdonnement :

- Mettez les machines à glaçons hors tension en consultant la rubrique Panneau de commande dans la section Fonctionnement.

### Préparation en vue des vacances

Mettez la machine à glaçons hors tension et fermez l'alimentation en eau du réfrigérateur.

Pour mettre les machines à glaçons hors tension, consultez la rubrique Panneau de commande dans la section Fonctionnement.

### REMARQUE

- Le bac à glaçons doit être vidé chaque fois que la machine à glaçons est mise hors tension.

Si la température ambiante risque de descendre sous le point de congélation, demandez à un technicien qualifié de drainer le système d'alimentation en eau pour empêcher les dégâts importants que causerait la rupture des conduites d'eau ou des raccordements.

### Stockage des aliments

#### REMARQUE

- Si vous quittez votre domicile pendant une courte période de temps, pour des vacances, par exemple, le réfrigérateur devrait rester allumé.
- Si vous laissez le réfrigérateur éteint pendant une période prolongée, videz-le de tous les aliments et débranchez-le. Nettoyez l'intérieur et laissez la porte ouverte pour empêcher les moisissures de se développer dans le réfrigérateur.
- Si les portes sont ouvertes ou fermées trop souvent, l'air chaud peut pénétrer dans le réfrigérateur et élever sa température. Cela peut accroître le coût de fonctionnement de l'appareil.

### Conseils pour le stockage des aliments

Pour conserver les aliments au réfrigérateur, enveloppez-les de pellicule étanche à l'air et résistante à l'humidité ou conservez-les dans des contenants hermétiques, sauf indication contraire. Cela empêche la diffusion de l'odeur et du goût des aliments dans le réfrigérateur. Pour assurer la fraîcheur des produits périssables, vérifiez la date de péremption.

#### ⚠ MISE EN GARDE

- Ne placez pas trop d'articles ou des articles trop rapprochés les uns des autres dans les balconnets. Cela pourrait endommager les balconnets ou causer des blessures aux



utilisateurs si les articles sont retirés des balconnets avec force.

- Ne rangez pas de contenants en verre dans le congélateur. Le contenu liquide peut prendre de l'expansion lorsqu'il est congelé, endommager le contenant et causer des blessures.

## Comment ranger les aliments

- Beurre ou margarine
  - Conservez le beurre dont l'emballage est ouvert dans un plat couvert ou un compartiment fermé. Lorsque vous en stockez une quantité supplémentaire, enveloppez-le dans un emballage pour congélateur et congelez le tout.
- Fromage
  - Stockez-le dans l'emballage d'origine jusqu'au moment de le consommer. Une fois l'emballage ouvert, réemballez le fromage hermétiquement dans de la pellicule plastique ou du papier d'aluminium.
- Lait
  - Essuyez les cartons de lait. Pour que le lait soit plus froid, placez-le sur une tablette à l'intérieur du réfrigérateur.
- Œufs
  - Stockez-les dans la boîte d'origine sur une tablette à l'intérieur du réfrigérateur, et non dans le balconnet de la porte.
- Fruits
  - Ne lavez et ne pelez pas les fruits jusqu'à ce qu'ils soient prêts à être consommés. Triez les fruits et conservez-les dans leur contenant d'origine que vous placerez dans un bac à fruits et légumes, ou rangez-les dans un sac en papier bien fermé sur une tablette du réfrigérateur.
- Légumes à feuilles
  - Retirez les légumes de l'emballage du commerce, puis coupez ou déchirez les parties endommagées et décolorées. Lavez les légumes à l'eau froide et égouttez-les. Rangez-les dans un sac ou un contenant en plastique et placez-les dans le bac à fruits et légumes.
- Légumes avec pelure (carottes, poivrons)
  - Rangez-les dans un sac ou un contenant en plastique et placez-les dans le bac à fruits et légumes.
- Poisson
  - Congelez le poisson et les crustacés frais s'ils ne sont pas consommés le jour même de l'achat. Il est recommandé de consommer le

poisson et les crustacés frais le jour même de l'achat.

- Restes
  - Couvrez les restes de pellicule plastique ou de papier d'aluminium, ou rangez-les dans des contenants en plastique hermétiques.

## REMARQUE

- Si vous quittez votre domicile pendant une courte période de temps, pour des vacances, par exemple, le réfrigérateur devrait rester allumé. Les aliments réfrigérés pouvant être congelés se conserveront plus longtemps s'ils sont stockés dans le congélateur.
- Si vous laissez le réfrigérateur éteint pendant une période prolongée, videz-le de tous les aliments et débranchez-le. Nettoyez l'intérieur et laissez la porte ouverte pour empêcher les moisissures de se développer dans le réfrigérateur.
- Ne stockez pas d'aliments à teneur élevée en humidité dans la partie supérieure du réfrigérateur. L'humidité pourrait entrer directement en contact avec l'air froid et geler.
- Lavez les aliments avant de les stocker dans le réfrigérateur. Les fruits et les légumes doivent être lavés et l'emballage des aliments doit être essuyé pour empêcher de contaminer les aliments à proximité.
- Si le réfrigérateur est installé dans un endroit chaud et humide, l'ouverture fréquente de la porte ou le fait de stocker beaucoup de légumes dans le réfrigérateur peut provoquer de la condensation. Essuyez la condensation avec un chiffon propre ou une serviette en papier.
- Si la porte du réfrigérateur est ouverte ou fermée trop souvent, l'air chaud peut pénétrer dans le réfrigérateur et élever sa température. Cela peut accroître le coût de fonctionnement de l'appareil.

## Stockage d'aliments congelés

Consultez un manuel sur les congélateurs ou un livre de recettes fiable pour plus de renseignements sur la préparation d'aliments pour la congélation ou sur les durées de conservation des aliments.

## Congélation

Votre congélateur ne pourra congeler rapidement une grande quantité d'aliments. Dans le congélateur, ne placez pas une quantité d'aliments supérieure à celle qui peut être congelée dans un

## 20 FONCTIONNEMENT

délai de 24 heures (c'est-à-dire pas plus de 2 à 3 livres d'aliments par pied cube d'espace de congélateur). Laissez suffisamment d'espace dans le congélateur pour permettre une circulation d'air autour des emballages. De plus, laissez suffisamment d'espace à l'avant de façon à pouvoir fermer la porte hermétiquement.

Les durées de conservation varieront en fonction de la qualité et du type d'aliments, du type d'emballage ou de pellicule utilisés (degré d'étanchéité à l'air et de résistance à l'humidité) et de la température de stockage. La présence de cristaux de glace dans un emballage scellé est normale. Cela signifie simplement que l'humidité dans les aliments et l'air à l'intérieur de l'emballage ont produit de la condensation, créant des cristaux de glace.

### REMARQUE

- Laissez refroidir les aliments chauds à la température ambiante pendant 30 minutes, puis emballez-les et congelez-les. Le fait de refroidir les aliments chauds avant de les congeler économise de l'énergie.

### Emballage

Une congélation réussie dépend d'un emballage adéquat. Lorsque vous fermez et scellez l'emballage, celui-ci ne doit pas permettre l'entrée ou la sortie d'air ou d'humidité. Autrement, l'odeur et le goût des aliments pourraient être diffusés dans le réfrigérateur et les aliments congelés pourraient sécher.

#### Emballages recommandés

- Contenants de plastique rigides avec couvercles hermétiques
- Bocaux à bords droits pour conserve/ congélation
- Papier d'aluminium robuste
- Papier plastifié
- Pellicules plastifiées imperméables
- Sacs en plastique autoadhésifs de qualité pour congélateur

Suivez les instructions sur l'emballage ou le récipient pour les méthodes de congélation adéquates.

#### N'utilisez pas ce qui suit :

- Papier d'emballage pour pain
- Récipients en plastique sans polyéthylène
- Récipients sans couvercles hermétiques
- Papier paraffiné ou papier d'emballage recouvert de cire pour congélation

- Papier d'emballage mince, semi-perméable

### Stockage des aliments dans le tiroir convertible

Appuyez sur le bouton de la température du tiroir convertible sur l'écran principal et sélectionnez les paramètres de température offerts. Pour des résultats optimaux, lisez les conseils ci-dessous.

- -7 °F à 5 °F (-23 °C à -15 °C)
  - Aliments surgelés
- -1 °C (30 °F).
  - Viande et fruits de mer
- 1 °C (33 °F).
  - Boissons froides
- 3 °C (37 °F).
  - Collations
- 5 °C (41 °F).
  - Vin

### Bacs à légumes

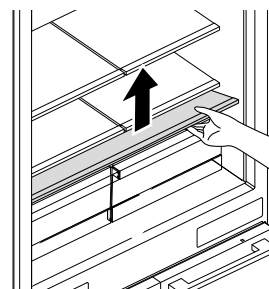
#### Retrait et assemblage des bacs à légumes

Pour obtenir plus d'espace dans le réfrigérateur, enlevez les supports de tiroir et les tablettes.

#### ⚠ MISE EN GARDE

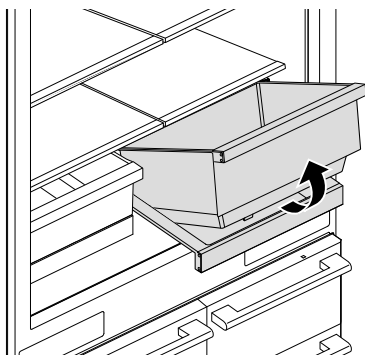
- Avant de monter ou de démonter le bac à légumes, ouvrez la porte du réfrigérateur à plus de 90 degrés, sinon l'intérieur de la porte risque d'être endommagé.

- 1 Soulevez le verre à l'avant et retirez le couvercle.



- 2 Tirez le bac à légumes jusqu'à ce qu'il s'arrête.

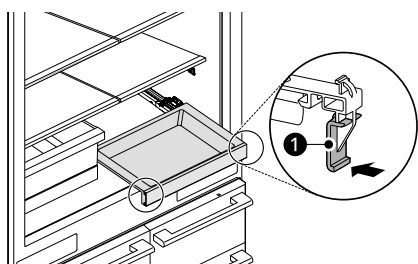
- 3** Soulevez l'avant du tiroir pour le retirer.



- 4** Enlevez le bac à légumes.

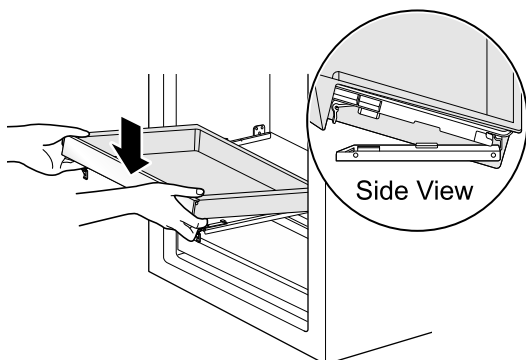
- 5** Tirez le rail du tiroir jusqu'à ce qu'ils s'arrêtent.

- 6** Appuyez sur les leviers ❶ de chaque côté du cadre du tiroir et retirez le cadre du tiroir.



- 7** Pour l'assembler, ouvrez entièrement les rails du cadre du tiroir.

- 8** Alignez les coins sous la base du tiroir avec les rainures sur chaque rail, puis abaissez la base du tiroir jusqu'à ce qu'il s'enclenche.



- 9** Avec l'avant légèrement incliné vers le haut, insérez le bac à légumes et le couvercle dans le cadre et poussez-le pour le remettre en place.

### ⚠ MISE EN GARDE

- Assurez-vous que le bac à légumes est d'aplomb d'un côté à l'autre. Ne pas le faire peut provoquer la chute du bac à légumes ou des aliments.
- Ne nettoyez pas le bac à légumes en verre avec de l'eau chaude lorsqu'il est froid. Le bac à légumes pourrait se briser s'il est exposé à des changements brusques de température ou à des chocs.
- Le bac à légumes est lourd. Soyez particulièrement prudent lorsque vous le retirez.

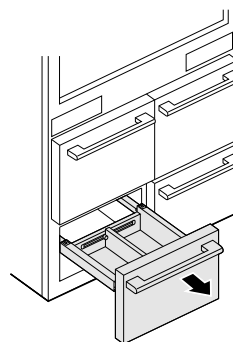
## Tiroirs du congélateur

### Retrait/assemblage des tiroirs du congélateur et du tiroir convertible

#### ⚠ AVERTISSEMENT

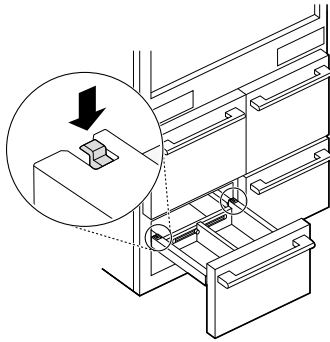
- Au moins deux personnes sont nécessaires pour installer ou retirer le tiroir.
- Faites attention aux charnières pointues sur les deux côtés du tiroir.
- Lorsque vous posez le tiroir par terre, veillez à ne pas endommager le plancher.
- Ne montez pas sur le tiroir et ne vous y asseyez pas.
- Pour prévenir les accidents, gardez le tiroir hors de la portée des enfants et des animaux. Ne laissez pas le tiroir ouvert.

- 1** Pour retirer le tiroir, tirez-le jusqu'à son extension complète.

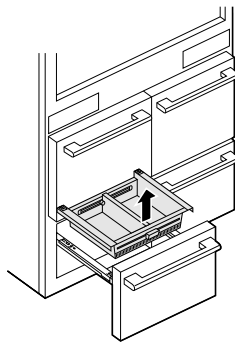


## 22 FONCTIONNEMENT

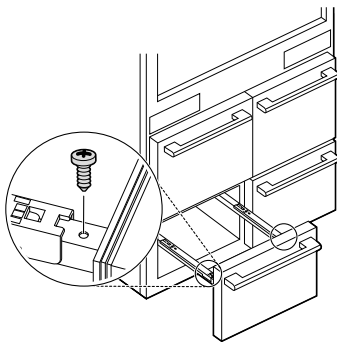
- 2** Poussez le bouton pour retirer le butoir de chaque côté.



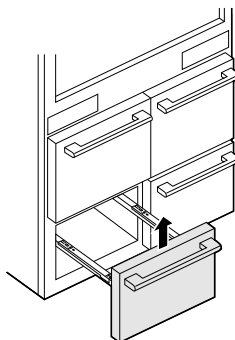
- 3** Soulevez l'avant du bac, puis tirez-le.



- 4** Enlevez les vis des rails à l'avant.



- 5** Saisissez les deux côtés du tiroir et tirez-le pour le retirer des rails.

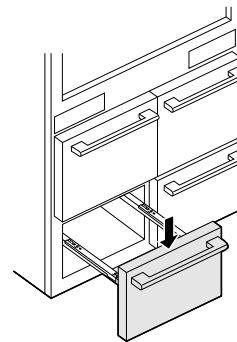


- 6** Pour l'assembler, tirez les deux rails simultanément jusqu'à leur extension complète.

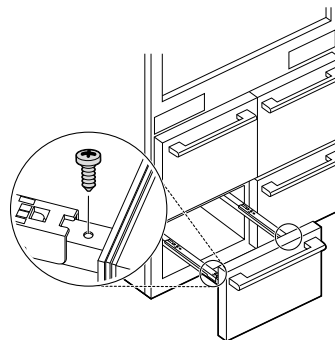
- 7** Saisissez le tiroir de chaque côté et accrochez les supports du tiroir sur les onglets des rails situés sur les deux côtés.

### ⚠ MISE EN GARDE

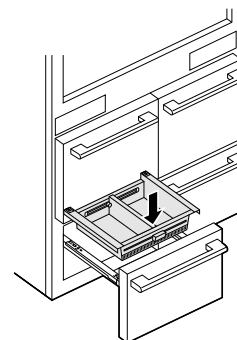
- Ne tenez pas la poignée lorsque vous enlevez ou remplacez le tiroir. Celle-ci pourrait se détacher et provoquer de graves blessures.



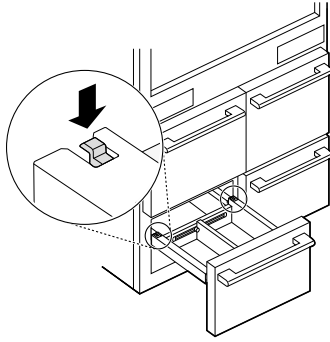
- 8** Abaissez la porte dans sa position finale et insérez les vis dans le rail situé des deux côtés.



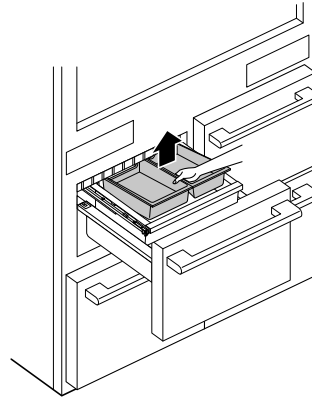
- 9** Insérez le bac dans le cadre.



- 10** Poussez le bouton pour placer le butoir de chaque côté.



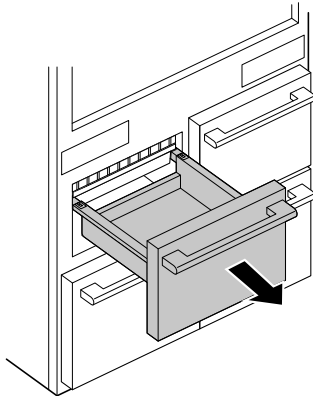
- 3** Soulevez et tirez délicatement les bacs à glaçons pour les retirer.



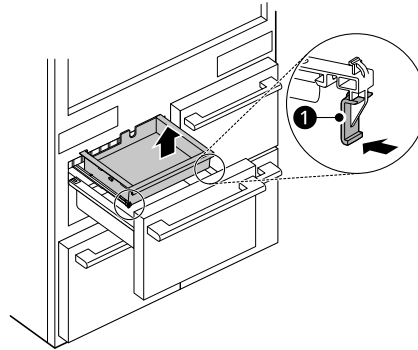
### Retrait et assemblage du tiroir du bac à glaçons

Pour obtenir plus d'espace dans le tiroir du congélateur, retirez le tiroir du bac à glaçons.

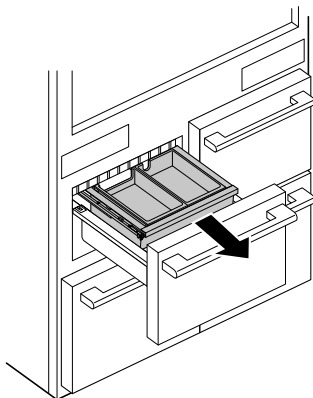
- 1** Tirez le tiroir supérieur gauche du congélateur jusqu'à son extension complète.



- 4** Appuyez sur les leviers ❶ de chaque côté du rail et retirez le tiroir du bac à glaçons.



- 2** Tirez le tiroir du bac à glaçons jusqu'à son extension complète.

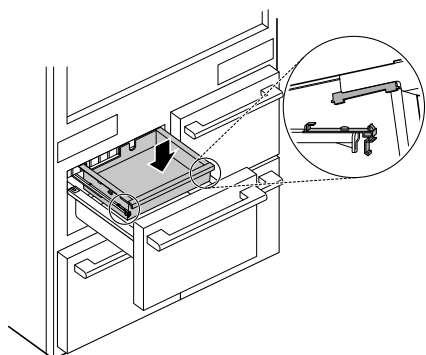


- 5** Pour l'assembler, tirez les deux rails simultanément jusqu'à leur extension complète.

- 6** Saisissez le tiroir du bac à glaçons de chaque côté et accrochez les supports du tiroir sur les onglets des rails situés sur les deux côtés.

- 7** Abaissez le tiroir du bac à glaçons dans sa position finale.

## 24 FONCTIONNEMENT



- 8** Remplacez les bacs à glaçons dans le tiroir.

### REMARQUE

- Faites attention si vous retirez les bacs à glaçons alors que le tiroir inférieur est ouvert. Des glaçons peuvent déborder des bacs et tomber en arrière du tiroir inférieur du congélateur, ce qui empêcherait la fermeture complète du tiroir. Pour retirer la glace de l'arrière du tiroir inférieur, démontez les bacs à glaçons et le tiroir.

## Tablettes

### Retrait et assemblage de la tablette

Les tablettes du réfrigérateur sont ajustables pour répondre à vos besoins de stockage particuliers.

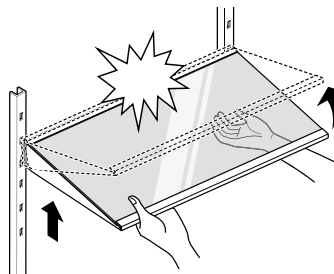
En réglant la hauteur des étagères pour y placer des aliments de différentes tailles, vous retrouverez plus facilement ce que vous cherchez.

### ⚠ MISE EN GARDE

- Assurez-vous que les étagères sont d'aplomb d'un côté à l'autre. Ne pas le faire peut provoquer la chute de l'étagère ou des aliments.
- Ne nettoyez pas les tablettes en verre avec de l'eau chaude lorsqu'elles sont froides. Elles pourraient se briser si elles sont exposées à des changements brusques de température ou à des impacts.
- Les étagères en verre sont lourdes. Soyez particulièrement prudent lorsque vous les retirez.

- 1** Pour retirer la tablette, inclinez la partie avant vers le haut, puis soulevez la tablette.

- 2** Retirez-la.

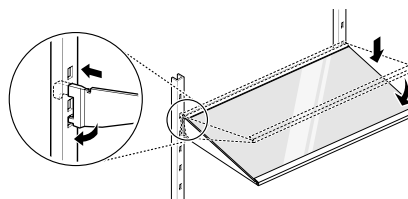


- 3** Pour l'assemblage, inclinez légèrement l'avant de l'étagère vers le haut et guidez les crochets de l'étagère dans les fentes à la hauteur souhaitée.

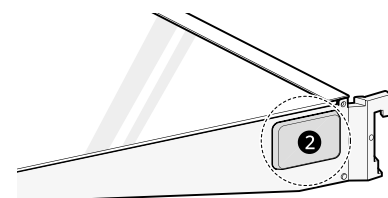
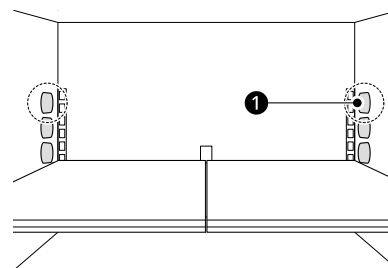
### ⚠ MISE EN GARDE

- Pour éviter d'endommager le conduit multiple, n'inclinez pas l'avant de l'étagère trop haut lors du montage ou du démontage.

- 4** Ensuite, abaissez l'avant de l'étagère afin que les crochets tombent dans les fentes.



### REMARQUE

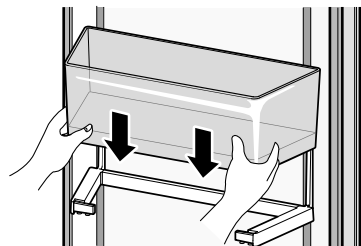


- 1** Émetteur

**2 Récepteur**

- Des corps étrangers et de la saleté se trouvant entre la tablette et la paroi du cadre intérieur pourraient empêcher l'éclairage de la tablette de s'allumer.
- L'éclairage de la tablette s'allume lorsque la porte est ouverte.
- L'éclairage de la tablette s'éteint après sept minutes ou lorsque la porte est fermée.
- Les étagères divisées sont spécifiques à gauche et à droite et ne sont pas interchangeables.

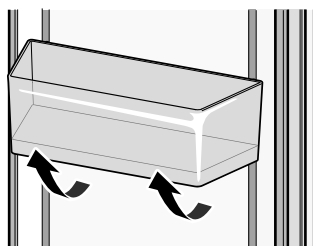
poussez-le vers le bas jusqu'à ce qu'il s'enclenche.



FRANÇAIS

**Bacs de la porte****Utilisation des balconnets**

Pour ajuster la position du balconnet, tenez le bas du balconnet des deux côtés, pour le lever ou l'abaisser.

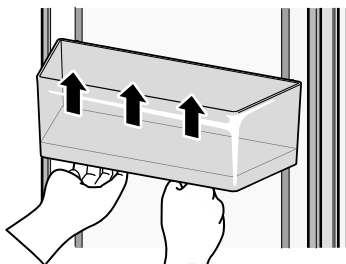
**⚠ MISE EN GARDE**

- Détachez et lavez régulièrement les bacs de rangement et les étagères, qui peuvent être facilement contaminés par la nourriture.
- N'utilisez pas de force excessive lors du retrait ou du montage des bacs de rangement.
- N'utilisez pas le lave-vaisselle pour nettoyer les bacs de rangement et les étagères.

**Retrait et montage des bacs de la porte**

Les bacs de la porte sont amovibles pour faciliter leur nettoyage et leur réglage.

- 1 Pour retirer les balconnets de porte, tenez le guide afin que le balconnet ne puisse pas bouger et tapez sur le bas du balconnet deux ou trois fois.



- 2 Pour assembler le balconnet, alignez les deux côtés du balconnet avec les guides et

## FONCTIONS INTELLIGENTES

### Application LG ThinQ

Cette fonction n'est offerte que sur les modèles dotés du Wi-Fi.

L'application **LG ThinQ** vous permet de communiquer avec l'appareil à l'aide d'un téléphone intelligent.

### Caractéristiques de l'application LG ThinQ

† Cette fonctionnalité est offerte sur certains modèles seulement.

- **Mode Soins intelligent+†**
  - Offre une expérience plus personnalisée basée sur l'analyse de vos habitudes d'utilisation.
- **Mode Sabbat intelligent†**
  - Active ou désactive le mode Sabbat et définit le calendrier d'activation du mode.
- **Surveillance de la consommation d'énergie†**
  - Cette fonctionnalité permet de suivre la consommation énergétique du réfrigérateur ainsi que le nombre de fois où la porte est ouverte.
- **Contrôle à distance†**
  - Contrôle la température du réfrigérateur, le filtre à air et la fonctionnalité Ice Plus à l'aide de l'application pour téléphone intelligent.
- **Messages automatiques†**
  - Si la porte reste ouverte pendant plus de dix minutes, vous recevrez un message automatisé. Lorsque la fonction Ice Plus est terminée, vous recevrez aussi un message automatisé.
- **Smart Diagnosis<sup>MC</sup>**
  - Cette fonction fournit des renseignements utiles pour diagnostiquer et résoudre les problèmes avec l'appareil en se basant sur le profil d'utilisation.
- **Paramètres**
  - Cette fonctionnalité vous permet de régler diverses options du réfrigérateur et de l'application.

### REMARQUE

- Si vous changez de routeur sans fil, fournisseur de services Internet ou mot de passe, supprimez

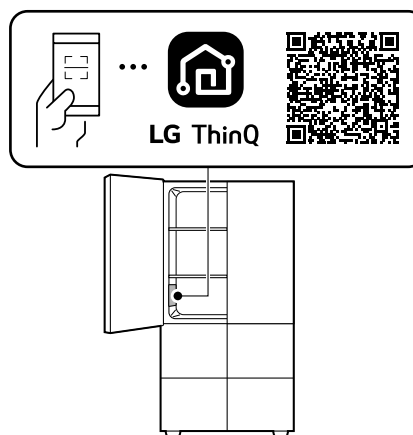
l'appareil connecté à l'application **LG ThinQ** et reconnectez-le.

- Cette information est à jour au moment de la publication. L'application est sujette à des modifications à des fins d'amélioration du produit, et ce, sans que l'utilisateur en soit préalablement avisé.

### Installation de l'application LG ThinQ et connexion d'un appareil de LG

#### Modèles avec un code QR

Balayez le code QR ci-joint au produit en utilisant l'appareil photo ou un lecteur de codes QR sur votre téléphone intelligent.




#### Modèles sans code QR

- 1 À partir d'un téléphone intelligent, cherchez l'application **LG ThinQ** dans la boutique Google Play ou l'App Store d'Apple.
- 2 Lancez l'application **LG ThinQ**, connectez-vous à votre compte, ou créez un compte LG.
- 3 Appuyez sur le bouton Ajouter (+) sur l'application **LG ThinQ** pour connecter votre appareil de LG. Suivez les instructions de l'application pour terminer le processus.



**REMARQUE**

- Pour connaître l'état de connexion au réseau Wi-Fi, vérifiez que l'indicateur Wi-Fi est allumé sur le panneau de commande.
- L'appareil prend seulement en charge les réseaux Wi-Fi de 2,4 GHz. Pour vérifier la fréquence de votre réseau, contactez votre fournisseur de services Internet ou reportez-vous au manuel de votre routeur sans fil.
- **LG ThinQ** n'est pas responsable des problèmes de connexion au réseau ou des défauts, dysfonctionnements ou erreurs causés par la connexion au réseau.
- L'environnement sans fil peut causer un ralentissement du fonctionnement du réseau sans fil.
- S'il y a une trop grande distance entre l'appareil et le routeur sans fil, l'intensité du signal s'affaiblit. La connexion peut prendre du temps, ou l'installation de l'application peut échouer.
- Si l'appareil a des difficultés à se connecter au réseau Wi-Fi, il est peut-être trop loin du routeur. Procurez-vous un répéteur Wi-Fi (rallonge de portée) pour améliorer la force du signal Wi-Fi.
- La connexion réseau peut ne pas fonctionner correctement selon le fournisseur de services Internet.
- La connexion Wi-Fi peut ne pas se faire ou être interrompue à cause de l'environnement du réseau domestique.
- Si l'appareil ne peut pas se connecter en raison de problèmes avec la transmission du signal sans fil, débranchez l'appareil et attendez environ une minute avant de réessayer.
- Si le pare-feu de votre routeur sans fil est activé, désactivez-le ou ajoutez-y une exception.
- Le nom du réseau sans fil (SSID) doit être une combinaison de lettres et de chiffres anglais. (N'utilisez pas de caractères spéciaux.)
- L'interface utilisateur (IU) du téléphone intelligent peut varier en fonction du système d'exploitation (SE) mobile et du fabricant.
- Si le protocole de sécurité du routeur est configuré sur **WEP**, la configuration du réseau peut échouer. Veuillez changer le protocole de sécurité (nous recommandons **WPA2**) et connectez le produit de nouveau.
- Pour désactiver la fonction Wi-Fi, désactivez le commutateur à bascule **Use Wi-Fi**. L'icône  s'éteindra.
- Pour reconnecter l'appareil ou ajouter un autre utilisateur, appuyez sur la touche **Settings** dans le coin inférieur droit de l'écran principal, puis

appuyez sur **Reset Wi-Fi**. Exécutez l'application **LG ThinQ** et suivez les instructions de l'application pour connecter l'appareil.

**Caractéristiques de l'équipement radio**

Type	Gamme de fréquences	Puissance de sortie (Max.)
Wi-Fi	2412 - 2462 MHz	< 30 dBm
Bluetooth	2402 - 2480 MHz	< 30 dBm

**Déclaration de la FCC**

Cet équipement a été testé et déclaré conforme aux limites d'un appareil numérique de classe B, conformément à la partie 15 des règles de la FCC pour le module émetteur et à la partie 18 des règles de la FCC pour cet équipement. Ces limites sont conçues pour fournir une protection raisonnable contre les interférences nuisibles dans une installation résidentielle. Cet équipement génère, utilise, et peut émettre des fréquences radio et, s'il n'est pas installé et utilisé conformément aux instructions, peut causer des interférences nuisibles aux communications radio.

Cependant, il n'y a aucune garantie que des interférences ne se produiront pas dans une installation particulière. Si cet équipement provoque des interférences nuisibles à la réception de la radio ou de la télévision, ce qui peut être déterminé en éteignant et en allumant l'équipement, l'utilisateur est encouragé à essayer de corriger les interférences en prenant une ou plusieurs des mesures suivantes :

- Réorientez ou déplacez l'antenne de réception.
- Augmentez la distance entre l'équipement et le récepteur.
- Branchez l'appareil sur un circuit électrique différent de celui où le récepteur est branché.
- Contactez votre revendeur ou un technicien radio/télévision expérimenté.

Cet appareil (module émetteur contenu dans ce produit) est conforme à la partie 15 des règles de la FCC. Son fonctionnement est soumis aux deux conditions suivantes :

- (1) L'appareil ne doit pas produire de brouillage; et
- (2) L'appareil doit accepter tout brouillage radioélectrique subi, même si le brouillage est susceptible d'en compromettre le fonctionnement.

## 28 FONCTIONS INTELLIGENTES

Tout changement ou toute modification apportés à cet appareil et qui ne sont pas approuvés de manière explicite par le fabricant sont susceptibles d'annuler l'autorité de l'utilisateur quant à utiliser l'appareil.

### Énoncé FCC sur l'exposition aux radiations RF

Cet équipement est conforme aux limites de radiation de la FCC définies pour un environnement non contrôlé. Cet appareil et sa ou ses antennes ne doivent pas être colocalisés ou opérés en conjonction avec tout autre antenne ou transmetteur.

Cet appareil doit être installé et utilisé de façon à maintenir une distance minimale de 20 cm (7,8 po) entre l'antenne et l'utilisateur. Les utilisateurs doivent respecter les directives d'utilisation afin de satisfaire aux critères en matière d'exposition aux rayonnements RF.

### Avis d'Industrie Canada

L'émetteur/récepteur exempt de licence contenu dans le présent appareil est conforme aux CNR d'Innovation, Sciences et Développement économique Canada applicables aux appareils radio exempts de licence. L'exploitation est autorisée aux deux conditions suivantes:

- (1) Cet appareil ne doit pas provoquer d'interférences
- (2) Cet appareil doit accepter toutes les interférences, y compris celles pouvant entraîner son dysfonctionnement.

### Énoncé d'IC concernant l'exposition à la radiation

Cet appareil est conforme aux limites d'exposition aux rayonnements d'Industrie Canada pour un environnement non contrôlé.

Cet appareil doit être installé et utilisé de façon à garder une distance minimale de 20 cm (7,8 pouces) entre la source de rayonnement et votre corps.

### REMARQUE

- LE FABRICANT N'EST PAS RESPONSABLE DES INTERFÉRENCES RADIOÉLECTRIQUES CAUSÉES PAR DES MODIFICATIONS NON AUTORISÉES APPORTÉES À CET APPAREIL. DE TELLES MODIFICATIONS POURRAIENT ANNULER

L'AUTORISATION ACCORDÉE À L'UTILISATEUR DE FAIRE FONCTIONNER L'APPAREIL.

### Renseignements sur l'avis de logiciel libre

Pour obtenir le code source conformément aux dispositions de la licence publique générale, de la licence publique générale limitée, de la licence publique Mozilla et de toute autre licence régissant les logiciels à code source libre contenus dans ce produit et exigeant la divulgation du code source, visitez le site <https://opensource.lge.com>. En plus du code source, toutes les dispositions de licence, les avis de droits d'auteurs et autres documents pertinents peuvent aussi être consultés.

SIGNATURE KITCHEN SUITE mettra également à votre disposition le code source libre sur CD-ROM pour un prix couvrant le coût de la distribution (coût du support, de l'expédition et de la manutention) sur simple demande par courriel à l'adresse [opensource@lge.com](mailto:opensource@lge.com).

Cette offre est valable pour une période de trois ans après notre dernière expédition de ce produit et s'applique à toute personne ayant reçu ces renseignements.

### Fonction Smart Grid

Lorsque le réfrigérateur est en mode Smart Grid, la fonction Réfrigérateur intelligent peut contrôler l'utilisation de l'énergie ou retarder la mise en marche de certaines fonctions afin d'économiser l'énergie durant les périodes de pointe.

- Vous pouvez annuler la fonction Smart Grid en tout temps (au moyen de la touche ou de l'application **Smart Grid**).
- Pour utiliser la fonction Smart Grid, vous devez enregistrer l'appareil auprès de votre fournisseur d'électricité, à condition que celui-ci prenne en charge cette fonction. Autrement dit, la fonction Smart Grid ne sera pas disponible si votre fournisseur d'électricité ne prend pas en charge la fonction ou n'a pas la capacité de la prendre en charge.

### Fonctionnalités de l'application Smart Grid

- Économie intelligente\_Gestion de la demande
  - Vous pouvez réduire l'utilisation énergétique en fonction des signaux de gestion de la demande (GD) provenant de la société de

services publics. Si le réfrigérateur est en mode d'économie intelligente selon les signaux de gestion de la demande, vous verrez apparaître une fenêtre.

- Économie d'énergie en saison
  - Réduisez la consommation selon la période de l'année.

## Utilisation de la fonction Smart Grid

Cette fonctionnalité répond aux notifications envoyées par votre fournisseur d'électricité pour exécuter les tâches consommant beaucoup d'électricité pendant les heures creuses, lorsque la demande est moins élevée. Ces notifications sont appelées « signaux de gestion de la demande ».

Si le réfrigérateur reçoit un signal de gestion de la demande de la part du fournisseur d'électricité, il allume le voyant Grid sur l'écran et contrôle sa consommation d'énergie en fonction du signal. Le réfrigérateur répondra aux signaux reçus aussi longtemps qu'il pourra maintenir son efficacité.

Si le réfrigérateur reçoit un signal de gestion de la demande, il fonctionnera en mode DAL (charge différée) ou TALR (réduction temporaire de la charge).

### Charge différée (DAL)

Le réfrigérateur répondra à un signal DAL en réduisant de façon modérée la charge pour la durée de la période indiquée.

Ce mode contrôle les fonctions énergivores telles que l'ajustement du système de refroidissement, le dégivrage et la fabrication de la glace.

- Lorsque le réfrigérateur est en mode DAL, le voyant Grid est allumé sur l'écran du réfrigérateur.
- Le mode DAL est automatiquement désactivé à la fin de la période indiquée par le signal DAL (max. de 4 heures) ou lorsque vous annulez la fonction Smart Grid.

### Réduction temporaire de la charge de l'appareil (TALR)

Le réfrigérateur répondra à un signal TALR en réduisant de façon importante la charge pour une courte période, habituellement 10 minutes. Ce mode réduit la consommation électrique en arrêtant le compresseur et en contrôlant les fonctions énergivores comme le dégivrage et le ventilateur.

- Lorsque le réfrigérateur est en mode TALR, le voyant Grid est allumé sur l'écran du réfrigérateur.
- Le mode TALR est automatiquement désactivé à la fin de la période indiquée (maximum de 10 minutes) ou lorsque vous annulez la fonction Smart Grid. Ce mode est automatiquement désactivé et le réfrigérateur est ramené à son état normal si vous ouvrez ou fermez une porte, ou si le distributeur est utilisé.

## Annulation du mode Smart Grid

Si vous voulez que le réfrigérateur ignore le signal de gestion de la demande de votre fournisseur d'électricité, vous pouvez annuler la fonctionnalité Smart Grid en appuyant sur la touche Smart Grid pendant que le réfrigérateur fonctionne en mode Smart Grid.

Lorsque vous annulez la fonction Smart Grid, le réfrigérateur ignore le signal de gestion de la demande et n'est plus commandé par votre fournisseur d'électricité jusqu'au prochain envoi de signal. Vous pouvez aussi annuler la fonction Smart Grid à l'aide de l'application pour téléphone intelligent.

## API ouverte de SIGNATURE KITCHEN SUITE

Vous pouvez gérer les fonctions Smart Grid du réfrigérateur intelligent de **SIGNATURE KITCHEN SUITE**.

Veillez consulter la page de notification de [signaturekitchensuite.com](http://signaturekitchensuite.com) pour plus de détails.

## Liste des API

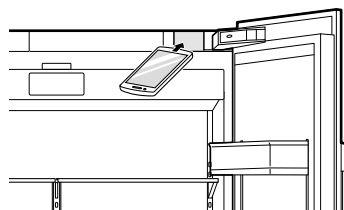
- Réponse à la demande
  - Envoyer un signal de réponse à la demande
- Mode écoénergétique
  - Régler le mode écoénergétique
  - Obtenir l'horaire (programme) du DR/report de dégivrage
- Surveillance de la consommation d'énergie
  - Obtenir l'événement d'ouverture de porte
  - Obtenir la consommation d'énergie
- Reporter la fonction de dégivrage
  - Insérer un événement programmé de report du dégivrage
  - Mettre à jour un événement programmé de report du dégivrage
  - Annuler un événement programmé de report du dégivrage
  - Obtenir le programme du report de dégivrage

## 30 FONCTIONS INTELLIGENTES

### Fonctionnalité Smart Diagnosis<sup>MC</sup>

Cette fonctionnalité est offerte sur certains modèles seulement.

Utilisez cette fonctionnalité pour vous aider à diagnostiquer et à résoudre les problèmes qu'éprouve votre appareil.



#### REMARQUE

- Pour des raisons ne relevant pas du contrôle de LGE, le service pourrait ne pas fonctionner en raison de facteurs externes, notamment la disponibilité du Wi-Fi, la connexion Wi-Fi, la politique de la boutique d'applications ou la disponibilité de l'application.
- La fonctionnalité pourrait être modifiée sans préavis et pourrait avoir une apparence différente selon votre emplacement.

#### Utilisation de l'application LG ThinQ pour diagnostiquer les problèmes

Si vous éprouvez des problèmes avec votre appareil doté du Wi-Fi, vous pouvez transmettre des données de dépannage par téléphone intelligent à l'aide de l'application **LG ThinQ**.

- Lancez l'application **LG ThinQ** et sélectionnez la fonctionnalité **Smart Diagnosis** qui se trouve dans le menu. Suivez les instructions indiquées dans l'application **LG ThinQ**.

#### Utilisation de la fonctionnalité de diagnostic sonore pour diagnostiquer les problèmes

Suivez les instructions ci-dessous pour utiliser la fonctionnalité de diagnostic sonore.

- Lancez l'application **LG ThinQ** et sélectionnez la fonctionnalité **Smart Diagnosis** qui se trouve dans le menu. Suivez les instructions relatives au diagnostic sonore indiquées dans l'application **LG ThinQ**.

- 1 Ouvrez la porte du réfrigérateur.
- 2 Approchez le microphone de votre téléphone devant le haut-parleur situé sur la charnière supérieure droite de la porte du réfrigérateur.

- 3 Appuyez sur **Settings** dans le coin inférieur droit de l'écran principal, puis sur **Smart Diagnosis**.

- 4 Appuyez sur **START**.

- 5 Maintenez le téléphone dans cette position jusqu'à ce que la transmission de la tonalité soit terminée. L'application démarrera un compte à rebours. Lorsque le décompte est terminé et que vous n'entendez plus les tonalités, le diagnostic s'affichera dans l'application.

#### REMARQUE

- Pour obtenir les meilleurs résultats, évitez de bouger le téléphone pendant la transmission sonore.

# ENTRETIEN

## Nettoyage

### ⚠ AVERTISSEMENT

- Utilisez un produit de nettoyage ininflammable. Ne pas le faire pourrait entraîner un incendie, une explosion ou des blessures mortelles.

### ⚠ MISE EN GARDE

- N'utilisez pas de chiffons ou d'éponges rugueux pour nettoyer l'intérieur et l'extérieur de l'appareil.
- Ne placez pas votre main sur la surface inférieure de l'appareil quand vous ouvrez ou fermez les portes.

### Conseils généraux de nettoyage

- Les sections du réfrigérateur et du congélateur se dégivrent automatiquement, mais nettoyez les deux sections une fois par mois pour éviter les odeurs.
- Essuyez immédiatement les aliments renversés.
- Débranchez toujours le réfrigérateur ou coupez le courant avant de le nettoyer.
- Enlevez toutes les pièces amovibles, telles que les étagères, les bacs à légumes et fruits, etc.
- Utilisez une éponge propre ou un chiffon et un détergent doux avec de l'eau chaude. N'utilisez pas de produits de nettoyage abrasifs ou forts.
- Lavez à la main, rincez et séchez soigneusement toutes les surfaces.
- Lors du nettoyage de l'intérieur ou de l'extérieur de l'appareil, ne le nettoyez pas avec une brosse rugueuse, du dentifrice ou des matériaux inflammables. N'utilisez pas de produits de nettoyage contenant des substances inflammables.
  - Cela peut causer une décoloration de l'appareil ou l'endommager.
  - Liste des substances inflammables : alcool (éthanol, méthanol, alcool isopropylique, alcool isobutylique, etc.), diluant, eau de javel, benzène, liquide inflammable, abrasifs, etc.

### Parois intérieures

- Laissez le congélateur se réchauffer pour éviter que le chiffon colle.

Pour éliminer les odeurs, vous pouvez laver l'intérieur du réfrigérateur avec un mélange de bicarbonate de soude et d'eau chaude. Mélangez deux cuillères à soupe de bicarbonate de soude à un litre d'eau (26 g de bicarbonate de soude pour un litre d'eau). Assurez-vous que le bicarbonate de soude est complètement dissous afin de ne pas rayer les surfaces du réfrigérateur.

### Revêtements et joints de porte

Utilisez une éponge propre ou un chiffon et un détergent doux avec de l'eau chaude. N'utilisez pas de cire de nettoyage, de détergent concentré, d'eau de Javel ou de nettoyant contenant du pétrole sur les pièces en plastique du réfrigérateur.

### Pièces en plastique (couvertres et panneaux)

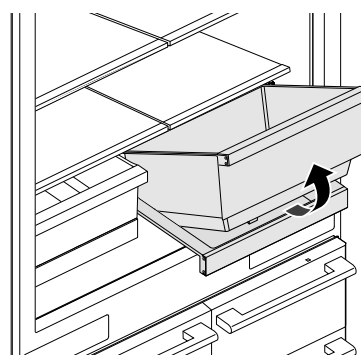
Utilisez une éponge propre ou un chiffon et un détergent doux avec de l'eau chaude. N'utilisez pas de produits nettoyants pour vitres, de nettoyants abrasifs ou de liquides inflammables. Ces produits peuvent rayer ou endommager la surface.

## Filtre à air

### Recyclage du filtre à air

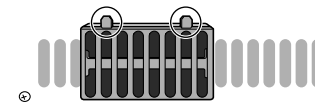
Recyclez le filtre à air environ tous les six mois. Le filtre à air se situe sur la paroi arrière, derrière le bac à légumes droit.

- 1 Pour retirer le tiroir, tirez-le à pleine extension, soulevez l'avant et retirez-le.

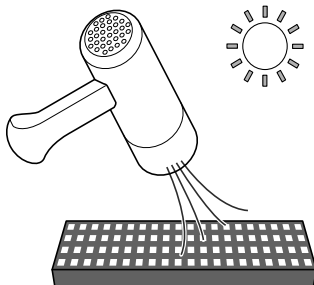


## 32 ENTRETIEN

- 2** Trouvez le filtre à air sur la paroi arrière du réfrigérateur et appuyez sur les deux crochets pour retirer le filtre à air.



- 3** Séchez le filtre à air avec un séchoir à cheveux ou laissez-le sécher au soleil.



### REMARQUE

- Pour augmenter la performance de désodorisation, le désodorisant est fait d'un matériau de bois de palmier naturel. Il est possible que de la poudre tombe. La poudre n'est pas du tout nocive pour le corps humain et peut être facilement nettoyée avec une serviette ou un chiffon.

## Filtre à eau

### Avant de remplacer le filtre à eau


#### ⚠ AVERTISSEMENT

- Afin de réduire les risques d'étouffement, n'autorisez pas les enfants de moins de 3 ans à avoir accès aux petites pièces pendant l'installation de ce produit.
- Afin de réduire le risque associé à l'ingestion de produits contaminants, n'utilisez pas d'eau insalubre ou de qualité inconnue sans désinfection adéquate en amont ou en aval du système.
- L'utilisation de filtres à eau non autorisés peut entraîner un dysfonctionnement du produit, une fuite d'eau ou des problèmes de qualité de l'eau, qui ne seront pas couverts par la garantie du produit.
- Branchez l'appareil à une source d'eau potable seulement.

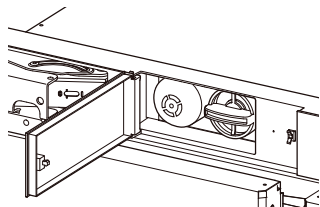
#### ⚠ MISE EN GARDE

- Lisez et suivez les instructions d'utilisation avant l'installation et l'utilisation de ce système.
- L'installation et l'utilisation DOIVENT être conformes à l'ensemble des codes de plomberie régionaux et locaux en vigueur.
- N'installez pas le produit si la pression d'eau dépasse 120 psi (827 kPa). Si la pression d'eau dépasse 80 psi, vous devez installer une valve de limitation de pression. Faites appel à un plombier si vous ne savez pas comment vérifier la pression d'eau.
- N'installez pas ce produit dans des conditions propices aux coups de bélier. Si de telles conditions sont présentes, vous devez installer un dispositif antibélier. Faites appel à un plombier professionnel si vous avez des doutes sur la manière de contrôler ces conditions.
- N'installez pas ce produit sur des conduites d'alimentation en eau chaude. La température maximale de l'eau pendant le fonctionnement de ce système est de 37,8 °C (100 °F).
- Protégez le filtre contre le gel. Vidangez le filtre lorsque la température descend sous 4,4 °C (40 °F).
- La cartouche du filtre jetable DOIT être remplacée tous les six mois, selon la capacité évaluée, ou plus tôt si le débit ralentit de façon manifeste.
- Pour protéger l'appareil contre le gel, retirez la cartouche du filtre lorsque les températures risquent de descendre sous 0 °C (33 °F).
- N'installez pas ces systèmes dans des régions où les températures ambiantes peuvent dépasser 43,3 °C (110 °F).
- Si un dispositif de prévention du refoulement est installé sur le système, un dispositif permettant de contrôler la pression résultant de la dilatation thermique doit être installé.
- Vérifiez que tous les tuyaux et les raccords sont bien serrés et étanches.

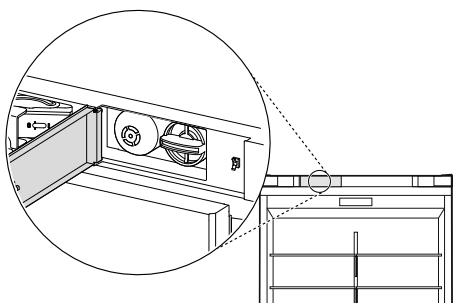
### Remplacement du filtre à eau

- Remplacez le filtre à eau :
  - Environ tous les six mois.
  - Lorsque l'icône  s'allume.
  - Lorsque le rendement de la machine à glaçons diminue.

- Pour acheter un filtre à eau de rechange :
  - Rendez-vous chez un détaillant ou un distributeur
  - Trouvez des pièces et des accessoires à partir de la section soutien du site **signaturekitchensuite.com**.
  - Appelez le 1 855 790-6655 (États-Unis) ou le 1 888 289-2802 (Canada).
  - Cartouche de remplacement à utiliser : **LT1000P-S (ADQ74793506)**



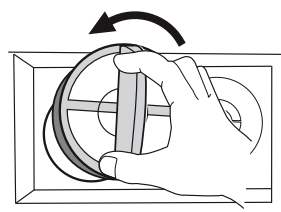
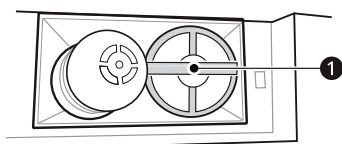
- 1 Retirez le filtre à eau à remplacer.**  
Poussez pour ouvrir le couvercle du filtre à eau en haut du réfrigérateur.



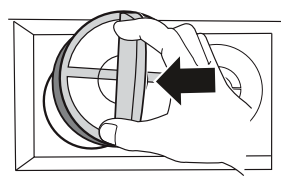
#### REMARQUE

- Le remplacement du filtre à eau provoque le drainage d'une petite quantité d'eau (environ 25 ml ou 1 oz).
- Enveloppez l'extrémité avant du couvercle du filtre à eau avec un linge pour recueillir l'eau qui s'écoulera. Une fois le filtre à eau retiré, tenez-le en position verticale pour éviter que de l'eau restante s'en échappe.

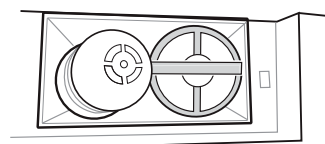
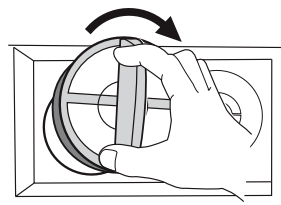
- 2** Placez le bouchon ❶ sur le filtre à eau, puis tenez-le et tournez-le dans le sens antihoraire pour retirer le filtre à eau de la tête du filtre.



- 3 Remplacez-le par un nouveau filtre à eau.**  
Déballez le nouveau filtre à eau et retirez le couvercle protecteur des joints toriques. Placez le bouchon sur le nouveau filtre à eau, puis poussez-le dans l'orifice du collecteur jusqu'à ce qu'il soit en place.



- 4** Tenez le bouchon et tournez-le dans le sens horaire jusqu'à ce qu'il soit en place. Remplacez le bouchon sur le côté du filtre à eau.



- 5** Une fois que le filtre à eau a été remplacé, faites couler environ neuf litres d'eau (ce qui prendra environ cinq minutes) pour éliminer l'air et les contaminants du système.

#### REMARQUE

- Ne faites pas couler les neuf litres d'eau de façon continue. Appuyez et relâchez la touche du distributeur pour des cycles de 30 secondes en position de marche et de 60 secondes en position d'arrêt.

- 6** Après avoir changé le filtre, appuyez sur **Settings** dans le coin inférieur droit de l'écran principal, puis appuyez sur **Water Filter**.

## 34 ENTRETIEN

---

Appuyez sur **RESET** pour réinitialiser la durée de vie du filtre.

- Pour plus de renseignements, appelez au
  - 1 855 790-6655 (É.-U.)
  - 1 888 289-2802 (Canada)




## Fiche technique des performances

Modèle : LT1000P-S

Code de dénomination commerciale du système NSF : MDJ64844601

La concentration des substances indiquées présentes dans l'eau entrant dans le circuit a été réduite à une concentration inférieure ou égale à la limite autorisée pour l'eau quittant le circuit, selon les spécifications NSF/ANSI des normes 42, 53 et 401.

FRANÇAIS

	Le système a été soumis à des essais et est certifié en vertu de NSF International, conformément aux normes 42, 53 et 401 de la NSF/ANSI pour ce qui est de la réduction de la concentration des substances mentionnées ci-dessous.
---	---

Réduction des substances	Concentration ion moyenne	Concentration visée par NSF	% de la diminution moyenne	Concentration moyenne d'eau dans le produit	Concentration d'eau maximale permise dans le produit	Exigences NSF de diminution
Goût et odeur de chlore	2.0 µg/L	2.0 µg/L ± 10%	> 97,5 %	0.050 µg/L	s. o.	≥ 50.00%
Particules nominales de classe I, ≥ 0,5 à < 1,0 µm	12 000 000 pts/ml	Au moins 10 000 particules/ml	99,80%	24 000 pts/ml	s. o.	≥ 85.00%
Amiante	180 MFL	10 <sup>7</sup> à 10 <sup>8</sup> MFL; longueur des fibres supérieures à 10 µm	> 99,00 %	< 1 MFL	s. o.	≥ 99.00%
Atrazine	8.5 µg/L	9.0 µg/L ± 10%	> 94,10 %	0.500 µg/L	3.0 µg/L	s.o.
Benzène	15.0 µg/L	15.0 µg/L ± 10%	> 96,60 %	0.510 µg/L	5.0 µg/L	s.o.
Carbofuran	74.0 µg/L	80.0 µg/L ± 10%	98,30%	1.258 µg/L	40 µg/L	s.o.
Lindane	1.9 µg/L	2.0 µg/L ± 10%	> 99,00 %	0.019 µg/L	0.2 µg/L	s.o.
P-Dichlorobenzène	230.0 µg/L	225.0 µg/L ± 10%	> 99,80 %	0.460 µg/L	75.0 µg/L	s.o.
2,4-D	210.0 µg/L	210.0 µg/L ± 10%	> 99,90 %	0.210 µg/L	70.0 µg/L	s.o.
Plomb pH @ 6,5	140.0 µg/L	150.0 µg/L ± 10%	99,60%	0.560 µg/L	10.0 µg/L	s.o.
Plomb pH @ 8,5	150.0 µg/L	150.0 µg/L ± 10%	> 99,70 %	<0.500 µg/L	10.0 µg/L	s.o.
Mercure à pH 6,5	5.9 µg/L	6.0 µg/L ± 10%	91,00%	0.531 µg/L	2.0 µg/L	s.o.
Mercure à pH 8,5	5.6 µg/L	6.0 µg/L ± 10%	92,5%	0.420 µg/L	2.0 µg/L	s.o.
Sporocyste*	100 000 sporocystes /l	Au minimum 50 000 sporocystes/L	> 99,99 %	10 sporocystes/l	s. o.	≥ 99.95%
Aténolol	240 ng/l	200 ± 40 % ng/l	> 95,50 %	10,80 ng/l	30 ng/l	s.o.
Carbamazépine	1600 ng/l	1400 ± 40 % ng/l	98,40%	25,60 ng/l	200 ng/l	s.o.
DEET	1600 ng/l	1400 ± 40 % ng/l	97,10%	46,40 ng/l	200 ng/l	s.o.
Triméthoprim	170 ng/l	140 ± 40 % ng/l	> 96,80 %	5,44 ng/l	20 ng/l	s.o.
Linuron	160 ng/l	140 ± 40 % ng/l	> 96,60 %	5,44 ng/l	20 ng/l	s.o.
Phénytoïne	200 ng/l	200 ± 40 % ng/l	> 94,80 %	10,40 ng/l	30 ng/l	s.o.
Ibuprofène	400 ng/l	400 ± 40 % ng/l	> 94,50 %	22,00 ng/l	60 ng/l	s.o.
Naproxen	140 ng/l	140 ± 40 % ng/l	> 96,10 %	5,46 ng/l	20 ng/l	s.o.
Estrone	120 ng/l	140 ± 40 % ng/l	> 96,10 %	4,68 ng/l	20 ng/l	s.o.

## 36 ENTRETIEN

Réduction des substances	Concentration moyenne	Concentration visée par NSF	% de la diminution moyenne	Concentration moyenne d'eau dans le produit	Concentration d'eau maximale permise dans le produit	Exigences NSF de diminution
Bisphénol A	2 000 ng/l	2000 ± 40 % ng/l	> 98,90 %	22,00 ng/l	300 ng/l	s.o.
Nonylphénol	1600 ng/l	1400 ± 40 % ng/l	> 97,10 %	46,40 ng/l	200 ng/l	s.o.

\* Basé sur l'utilisation des ocystes *Cryptosporidium parvum*.

Lignes directrices pour l'application / Paramètres de l'alimentation en eau	
Débit d'utilisation	1,9 l/min (0,5 gal/min)
Alimentation en eau	Réseau municipal ou puits privé - Eau potable
Pression de l'eau	20 à 120 psi (138 à 827 kPa)
Température de l'eau	33 °F – 100 °F (0,6 °C – 37,8°C)
Capacité	757 litres (200 gallons)

Il est essentiel de suivre les recommandations du fabricant relatives à l'installation, à l'entretien et au remplacement du filtre afin que l'appareil fonctionne conformément aux performances annoncées.

### REMARQUE

- Les tests ont été effectués en laboratoire et le rendement peut varier en situation d'utilisation réelle.

Pour obtenir des filtres à eau de rechange, rendez-vous chez votre détaillant local ou un distributeur ou cherchez un détaillant sur le site [signaturekitchensuite.com](http://signaturekitchensuite.com).

Pour obtenir de l'aide supplémentaire, communiquez avec le centre d'information à la clientèle de SIGNATURE KITCHEN SUITE.

É.-U. : 1 855 790-6655

Canada: 1-888-289-2802

### Cartouche de remplacement : LT1000P-S ou ADQ74793506

NSF est une marque commerciale de NSF International.

# DÉPANNAGE


## FAQ

### Foire aux questions

**Q : Quelles sont les températures optimales pour mon réfrigérateur et mon congélateur?**

R : Le réglage par défaut du réfrigérateur est de 37 °F (3 °C). Le réglage par défaut du congélateur est de 0 °F (-18 °C). Ajustez ces réglages au besoin pour conserver les aliments à la température désirée. Le lait doit être froid lorsqu'il est rangé sur la tablette intérieure du réfrigérateur. La crème glacée doit être ferme, et les glaçons ne doivent pas fondre dans le congélateur.

**Q : Comment puis-je régler la température du réfrigérateur et du congélateur?**

R : Appuyez sur la touche de la température du réfrigérateur, du congélateur, ou du tiroir convertible sur l'écran principal. Appuyez sur  pour obtenir la température désirée.

**Q : Quel est ce bourdonnement que le réfrigérateur émet de temps à autre?**

R : Ce son peut être émis si le congélateur n'est pas alimenté en eau alors que la machine à glaçons est allumée. Si l'alimentation en eau n'est pas raccordée au congélateur, vous devriez éteindre la machine à glaçons depuis le panneau de commande.

**Q : Pourquoi le plateau de la machine à glaçons semble-t-il courbé?**

R : Il s'agit d'un état normal du cycle de la machine à glaçons. Le plateau de la machine à glaçons peut sembler à niveau ou légèrement incliné. Le changement de position aide au processus de congélation.

**Q : Mon réfrigérateur est sous tension et les commandes fonctionnent, mais il ne refroidit pas et l'afficheur indique « DEMO » (voir ci-dessous). Quel est le problème?**

R : Le réfrigérateur est en mode Démonstration. Le mode Démonstration désactive tout refroidissement pour économiser de l'énergie lors de la présentation en magasin. Pour revenir au fonctionnement normal, appuyez sur **Settings** dans le coin inférieur droit, puis sur **Brightness**. Appuyez sur le coin supérieur droit de l'écran 15 fois. À ce moment-là, « **Demo mode is off** » s'affichera et l'icône **DEMO** disparaîtra du coin supérieur droit de l'écran. Suivez la même procédure pour remettre le réfrigérateur en mode Démonstration si vous le désirez.

**DEMO**

## 38 DÉPANNAGE

## Avant d'appeler le réparateur

Consultez cette section du manuel avant de demander un service d'entretien; ce faisant, vous économiserez temps et argent.

### Refroidissement

Symptômes	Causes possibles et solutions
<b>Le réfrigérateur ne refroidit pas ou est hors tension.</b>	<b>La commande du réfrigérateur est réglée sur ARRÊT (sur certains modèles).</b> <ul style="list-style-type: none"> <li>Réglez la commande sur MARCHE. Veuillez consulter la section Panneau de contrôle pour un bon ajustement des températures.</li> </ul>
	<b>Le réfrigérateur est réglé sur le mode Présentation.</b> <ul style="list-style-type: none"> <li>Le mode Présentation permet un fonctionnement normal de l'éclairage et de l'affichage du panneau de contrôle, mais désactive le refroidissement pour économiser l'énergie durant l'exposition du réfrigérateur en magasin. Voir la FAQ de ce manuel pour connaître les instructions de désactivation du mode Présentation.</li> </ul>
	<b>Le réfrigérateur est dans un cycle de dégivrage.</b> <ul style="list-style-type: none"> <li>Durant le cycle de dégivrage, la température de chaque compartiment peut augmenter légèrement. Attendez 30 minutes, puis vérifiez que la température est revenue à la normale une fois le cycle de dégivrage terminé.</li> </ul>
	<b>Le réfrigérateur vient d'être installé.</b> <ul style="list-style-type: none"> <li>Chaque compartiment peut mettre jusqu'à 24 h pour atteindre la température visée.</li> </ul>
	<b>Le réfrigérateur a récemment été déplacé.</b> <ul style="list-style-type: none"> <li>Si le réfrigérateur a été entreposé ou couché pendant une longue période, celui-ci doit être placé à la verticale pendant 24 h avant d'être mis sous tension.</li> </ul>
<b>Le système de refroidissement est trop puissant.</b>	<b>Le réfrigérateur remplace un ancien modèle.</b> <ul style="list-style-type: none"> <li>Les réfrigérateurs modernes nécessitent un temps de fonctionnement plus long, mais consomment moins d'énergie grâce à une technologie plus efficace.</li> </ul>
	<b>Le réfrigérateur vient d'être branché ou remis sous tension.</b> <ul style="list-style-type: none"> <li>Le réfrigérateur peut mettre jusqu'à 24 h pour refroidir complètement.</li> </ul>
	<b>La porte a souvent été ouverte, ou beaucoup d'aliments ou des aliments chauds y ont été placés.</b> <ul style="list-style-type: none"> <li>L'ajout d'aliments ou l'ouverture de la porte réchauffe le réfrigérateur, ce qui demande au compresseur de fonctionner plus longtemps pour refroidir les compartiments. Afin de conserver l'énergie, essayez de sortir tout ce dont vous avez besoin du réfrigérateur en une seule fois, rangez vos aliments de manière organisée afin de les trouver facilement et fermez la porte dès que les aliments sont sortis. (Consultez le Guide de conservation des aliments.)</li> </ul>
	<b>Les portes ne sont pas complètement fermées.</b> <ul style="list-style-type: none"> <li>Poussez fermement les portes. Si elles ne se ferment pas complètement, consultez la partie « Les portes ne se ferment pas complètement ou s'ouvrent toutes seules » dans la section « Dépannage ».</li> </ul>
<b>Accumulation d'humidité à l'intérieur.</b>	<b>Le réfrigérateur est installé dans un environnement chaud.</b> <ul style="list-style-type: none"> <li>Le compresseur fonctionnera plus longtemps dans un environnement chaud. Lorsque la température ambiante est normale (70 °F ou 21 °C), votre compresseur fonctionne entre 40 % et 80 % du temps. Si la pièce est plus chaude, attendez-vous à ce qu'il fonctionne encore plus. Le réfrigérateur ne doit pas être mis en fonction lorsque la température ambiante est supérieure à 43 °C (110 °F).</li> </ul>
	<b>Les portes sont souvent ouvertes ou restent ouvertes longtemps.</b> <ul style="list-style-type: none"> <li>Lorsque les portes sont souvent ouvertes ou restent ouvertes longtemps, de l'air chaud et humide entre à l'intérieur du compartiment. La température et le niveau d'humidité augmentent ainsi à l'intérieur du compartiment. Pour diminuer cet effet, réduisez la fréquence et la durée d'ouverture des portes.</li> </ul>

Symptômes	Causes possibles et solutions
<b>Accumulation d'humidité à l'intérieur.</b>	<b>Les portes ne sont pas fermées correctement.</b> <ul style="list-style-type: none"> <li>Si elles ne se ferment pas complètement, consultez la section Les portes ne se ferment pas complètement ou s'ouvrent toutes seules dans la partie Pièces et caractéristiques de la section Dépannage.</li> </ul>
	<b>Conditions ambiantes humides.</b> <ul style="list-style-type: none"> <li>Des conditions ambiantes humides font entrer plus d'humidité dans les compartiments lorsque les portes sont ouvertes, ce qui génère de la condensation ou du givre. Maintenir un niveau d'humidité raisonnable dans la maison aidera à contrôler la quantité d'humidité qui peut entrer dans les compartiments.</li> </ul>
	<b>Cycle de dégivrage récemment effectué.</b> <ul style="list-style-type: none"> <li>Pendant le cycle de dégivrage, la température de chaque compartiment peut augmenter légèrement et de la condensation peut se former sur la paroi arrière. Une fois le cycle de dégivrage terminé, attendez 30 minutes et vérifiez que la température a bien été rétablie.</li> </ul>
	<b>Les aliments ne sont pas emballés correctement.</b> <ul style="list-style-type: none"> <li>Les aliments qui sont rangés à découvert ou sans emballage et les contenants humides peuvent entraîner une accumulation d'humidité dans chaque compartiment. Essayez tous les contenants et rangez les aliments dans des emballages scellés pour éviter la condensation et le givre.</li> </ul>
<b>Les aliments gèlent dans le compartiment du réfrigérateur.</b>	<b>Des aliments à teneur élevée en eau ont été placés à proximité d'une bouche d'aération.</b> <ul style="list-style-type: none"> <li>Placez les aliments à haute teneur en eau loin des bouches d'aération.</li> </ul>
	<b>La température du réfrigérateur est mal réglée.</b> <ul style="list-style-type: none"> <li>Si la température est trop froide, ajustez-la une unité à la fois et attendez que la température se stabilise. Pour plus d'information, reportez-vous à la section Réglage des commandes.</li> </ul>
	<b>Le réfrigérateur est installé dans un endroit froid.</b> <ul style="list-style-type: none"> <li>Lorsque le réfrigérateur fonctionne dans des conditions inférieures à 5 °C (41 °F), les aliments peuvent geler dans le compartiment du réfrigérateur. Le réfrigérateur ne doit pas être utilisé à une température inférieure à 13 °C (55 °F).</li> </ul>
<b>Les compartiments du réfrigérateur et du congélateur sont trop froids.</b>	<b>La température n'est pas réglée correctement.</b> <ul style="list-style-type: none"> <li>Si la température est trop basse, ajustez les réglages une position à la fois et attendez que la température se stabilise. Consultez le Panneau de commande pour plus de renseignements à ce sujet.</li> </ul>
<b>Du givre ou des cristaux de glace se forment sur les aliments surgelés (à l'intérieur de l'emballage hermétique).</b>	<b>La condensation issue d'aliments à haute teneur en eau a gelé à l'intérieur de l'emballage.</b> <ul style="list-style-type: none"> <li>Ce phénomène est normal pour des aliments à haute teneur en eau.</li> </ul>
	<b>Les aliments ont été laissés dans le congélateur pendant une longue période.</b> <ul style="list-style-type: none"> <li>Ne stockez pas des aliments à haute teneur en eau dans le congélateur pendant une longue période.</li> </ul>
<b>Du givre ou des cristaux de glace se forment sur les aliments congelés (à l'extérieur de l'emballage).</b>	<b>La porte est ouverte trop fréquemment ou trop longtemps.</b> <ul style="list-style-type: none"> <li>Lorsque les portes sont ouvertes trop fréquemment ou trop longtemps, de l'air chaud et humide entre dans le compartiment. Ceci accroît la température et l'humidité à l'intérieur du compartiment. Lorsqu'il y a plus d'humidité, cela entraîne la formation de givre et de condensation. Pour atténuer l'effet, ouvrez la porte moins souvent ou moins longtemps.</li> </ul>
	<b>La porte ne se ferme pas correctement.</b> <ul style="list-style-type: none"> <li>Consultez la partie « Les portes ne se ferment pas complètement ou s'ouvrent toutes seules » dans la section « Dépannage ».</li> </ul>

## 40 DÉPANNAGE

Symptômes	Causes possibles et solutions
<b>Les compartiments du réfrigérateur et du congélateur sont trop chauds.</b>	<b>Le réfrigérateur vient d'être installé.</b> <ul style="list-style-type: none"> <li>Chaque compartiment peut mettre jusqu'à 24 h pour atteindre la température visée.</li> </ul>
	<b>Les bouches d'aération sont bloquées.</b> <ul style="list-style-type: none"> <li>Trouvez l'emplacement des bouches d'aération en détectant le mouvement de l'air à l'aide de votre main, puis déplacez tous les éléments qui les obstruent et empêchent une bonne circulation d'air. Réorganisez les éléments afin de permettre la libre circulation de l'air à l'intérieur du compartiment.</li> </ul>
	<b>Les portes sont souvent ouvertes ou restent ouvertes longtemps.</b> <ul style="list-style-type: none"> <li>Lorsque les portes sont souvent ouvertes ou restent ouvertes longtemps, de l'air chaud et humide entre à l'intérieur du compartiment. La température et le niveau d'humidité augmentent ainsi à l'intérieur du compartiment. Pour diminuer cet effet, réduisez la fréquence et la durée d'ouverture des portes.</li> </ul>
	<b>Le réfrigérateur est installé dans un endroit chaud.</b> <ul style="list-style-type: none"> <li>Le réfrigérateur ne doit pas être mis en fonction lorsque la température ambiante est supérieure à 43 °C (110 °F).</li> </ul>
	<b>Beaucoup d'aliments ou des aliments chauds ont été placés dans l'un des compartiments.</b> <ul style="list-style-type: none"> <li>L'ajout d'aliments augmente la température du compartiment, ce qui entraîne le déclenchement du système de refroidissement. Pour limiter cet effet, laissez refroidir les aliments chauds à température ambiante avant de les placer dans le réfrigérateur.</li> </ul>
	<b>Les portes ne sont pas fermées correctement.</b> <ul style="list-style-type: none"> <li>Consultez la partie « Les portes ne se ferment pas complètement ou s'ouvrent toutes seules » dans la section « Dépannage ».</li> </ul>
	<b>La température n'est pas réglée correctement.</b> <ul style="list-style-type: none"> <li>Si la température est trop élevée, ajustez les réglages une position à la fois et attendez que la température se stabilise.</li> </ul>
	<b>Le cycle de dégivrage vient de se terminer.</b> <ul style="list-style-type: none"> <li>Durant le cycle de dégivrage, la température de chaque compartiment peut augmenter légèrement et des signes de condensation peuvent apparaître sur la paroi arrière. Attendez 30 minutes, puis vérifiez que la température est revenue à la normale une fois le cycle de dégivrage terminé.</li> </ul>

## Eau

Symptômes	Causes possibles et solutions
<b>L'eau s'écoule lentement du distributeur.</b>	<b>Le filtre à eau est saturé.</b> <ul style="list-style-type: none"> <li>Il est recommandé de changer le filtre à eau : <ul style="list-style-type: none"> <li>Environ tous les six mois.</li> <li>Lorsque l'indicateur de filtre à eau s'allume.</li> <li>Lorsque la sortie d'eau du distributeur diminue.</li> <li>Lorsque les cubes de glace sont plus petits que la normale.</li> </ul> </li> </ul>
	<b>Un système de filtrage par osmose inverse est utilisé.</b> <ul style="list-style-type: none"> <li>Les systèmes de filtrage par osmose inverse peuvent réduire la pression de l'eau au-dessous de la valeur minimale et occasionner un dysfonctionnement de la machine à glaçons. Si le problème persiste, il sera peut-être nécessaire de faire appel à un plombier.</li> </ul>
	<b>La pression d'entrée d'eau du domicile est trop faible.</b> <ul style="list-style-type: none"> <li>La pression de l'eau doit être comprise entre 20 et 120 psi pour les modèles sans filtre et entre 40 et 120 psi pour les modèles avec filtre. Si le problème persiste, il sera peut-être nécessaire de faire appel à un plombier.</li> </ul>

Symptômes	Causes possibles et solutions
L'eau ne peut être distribuée.	<p><b>Le réfrigérateur vient d'être installé ou la conduite d'eau vient d'être raccordée.</b></p> <ul style="list-style-type: none"> <li>Faites couler environ neuf litres d'eau (ce qui prendra environ cinq minutes) pour éliminer l'air et les contaminants du système. Toutefois, ne faites pas couler les neuf litres d'eau de façon continue. Appuyez et relâchez la touche du distributeur pour des cycles de 30 secondes en position de marche et de 60 secondes en position d'arrêt.</li> </ul>
	<p><b>Les portes du réfrigérateur ou du congélateur ne sont pas fermées correctement.</b></p> <ul style="list-style-type: none"> <li>La distribution d'eau ne fonctionne pas si les portes du réfrigérateur sont ouvertes.</li> </ul>
	<p><b>Le filtre à eau vient d'être enlevé ou remplacé.</b></p> <ul style="list-style-type: none"> <li>Une fois que le filtre à eau a été remplacé, faites couler environ neuf litres d'eau (ce qui prendra environ cinq minutes) pour éliminer l'air et les contaminants du système. Toutefois, ne faites pas couler les neuf litres d'eau de façon continue. Appuyez et relâchez la touche du distributeur pour des cycles de 30 secondes en position de marche et de 60 secondes en position d'arrêt.</li> </ul>
	<p><b>Le tuyau reliant le réfrigérateur au robinet d'approvisionnement est plié.</b></p> <ul style="list-style-type: none"> <li>La tuyauterie peut plier lorsque le réfrigérateur est déplacé lors de l'installation ou du nettoyage. Cela peut réduire le débit d'eau. Redressez ou réparez la conduite d'alimentation en eau et faites en sorte qu'elle ne puisse plus être pliée à l'avenir.</li> </ul>
	<p><b>L'entrée d'eau du domicile n'est pas raccordée, la valve n'est pas complètement ouverte ou elle est bouchée.</b></p> <ul style="list-style-type: none"> <li>Raccordez le réfrigérateur à l'alimentation en eau et ouvrez complètement la valve. Si le problème persiste, il sera peut-être nécessaire de faire appel à un plombier.</li> </ul>
L'eau qui coule est chaude.	<p><b>Le réfrigérateur vient d'être installé.</b></p> <ul style="list-style-type: none"> <li>Laissez le réfrigérateur tourner pendant 24 h après l'installation pour permettre au réservoir de stockage de l'eau de refroidir complètement.</li> </ul>
	<p><b>Le distributeur d'eau a été utilisé récemment et le réservoir est vide.</b></p> <ul style="list-style-type: none"> <li>Selon votre modèle, la capacité du réservoir de stockage est comprise entre 600 et 900 ml.</li> </ul>
	<p><b>Le distributeur n'a pas été utilisé depuis plusieurs heures.</b></p> <ul style="list-style-type: none"> <li>Si le distributeur n'a pas été utilisé pendant plusieurs heures, le premier verre d'eau peut être tiède. Jetez les premiers 300 ml.</li> </ul>
	<p><b>Le réfrigérateur est branché à la conduite d'eau chaude.</b></p> <ul style="list-style-type: none"> <li>Assurez-vous que le réfrigérateur est raccordé à la conduite d'eau froide.</li> </ul> <p><b>AVERTISSEMENT : Le distributeur de glace peut être endommagé si vous raccordez le réfrigérateur à une conduite d'eau chaude.</b></p>
L'eau goûte ou sent mauvais.	<p><b>L'entrée d'eau contient des minéraux comme du soufre.</b></p> <ul style="list-style-type: none"> <li>L'installation d'un filtre à eau peut être nécessaire pour éliminer les problèmes de goût et d'odeur.</li> </ul>
	<p><b>Le filtre à eau est saturé.</b></p> <ul style="list-style-type: none"> <li>Il est recommandé de changer le filtre à eau : <ul style="list-style-type: none"> <li>Environ tous les six mois.</li> <li>Lorsque l'indicateur de filtre à eau s'allume.</li> <li>Lorsque la sortie d'eau du distributeur diminue.</li> <li>Lorsque les cubes de glace sont plus petits que la normale.</li> </ul> </li> </ul>
	<p><b>Le réfrigérateur vient d'être installé.</b></p> <ul style="list-style-type: none"> <li>Faites couler environ neuf litres d'eau (ce qui prendra environ cinq minutes) pour éliminer l'air et les contaminants du système. Toutefois, ne faites pas couler les neuf litres d'eau de façon continue. Appuyez et relâchez la touche du distributeur pour des cycles de 30 secondes en position de marche et de 60 secondes en position d'arrêt.</li> </ul>

## 42 DÉPANNAGE

### Glace

Symptômes	Causes possibles et solutions
<b>La machine à glaçons ne produit pas assez de glace.</b>	<p><b>La demande dépasse la capacité de production de glace.</b></p> <ul style="list-style-type: none"> <li>Consultez la section Machine à glaçons automatique pour connaître la capacité de production de glace afin de vérifier la quantité de glace produite dans une période de 24 heures.</li> </ul>
	<p><b>L'entrée d'eau du domicile n'est pas branchée, la valve n'est pas complètement ouverte ou elle est bouchée.</b></p> <ul style="list-style-type: none"> <li>Raccordez le réfrigérateur à une alimentation en eau froide avec une pression adéquate et ouvrez complètement la valve d'eau. Si le problème persiste, il sera peut-être nécessaire de faire appel à un plombier.</li> </ul>
	<p><b>Le filtre à eau est saturé.</b></p> <ul style="list-style-type: none"> <li>Il est recommandé de changer le filtre à eau : <ul style="list-style-type: none"> <li>Environ tous les six mois.</li> <li>Lorsque l'indicateur de filtre à eau s'allume.</li> <li>Lorsque la sortie d'eau du distributeur diminue.</li> <li>Lorsque les cubes de glace sont plus petits que la normale.</li> </ul> </li> </ul>
	<p><b>La pression d'entrée d'eau du domicile est trop faible.</b></p> <ul style="list-style-type: none"> <li>La pression de l'eau doit être comprise entre 20 et 120 psi (138 et 827 kPa) pour les modèles sans filtre et entre 40 et 120 psi (276 et 827 kPa) pour les modèles avec filtre. Si le problème persiste, il sera peut-être nécessaire de faire appel à un plombier.</li> </ul>
	<p><b>Un système de filtrage par osmose inverse est utilisé.</b></p> <ul style="list-style-type: none"> <li>Les systèmes de filtration par osmose inverse peuvent réduire la pression de l'eau au-dessous de la valeur minimale et occasionner un dysfonctionnement de la machine à glaçons.</li> </ul>
	<p><b>Le tuyau reliant le réfrigérateur au robinet d'approvisionnement est plié.</b></p> <ul style="list-style-type: none"> <li>Le tuyau peut se plier lorsque le réfrigérateur est déplacé lors de l'installation ou du nettoyage, provoquant une réduction du débit d'eau. Redressez ou réparez la conduite d'alimentation en eau et disposez-la de manière à éviter qu'elle se plie de nouveau.</li> </ul>
	<p><b>Les portes sont souvent ouvertes ou restent ouvertes longtemps.</b></p> <ul style="list-style-type: none"> <li>Lorsque les portes de l'appareil sont souvent ouvertes, l'air ambiant va réchauffer le réfrigérateur et empêcher le maintien de la température programmée de l'appareil. Abaisser la température programmée peut résoudre ce problème, tout comme le fait de ne pas ouvrir les portes aussi fréquemment.</li> </ul>
	<p><b>Les portes ne sont pas complètement fermées.</b></p> <ul style="list-style-type: none"> <li>Si les portes ne sont pas correctement fermées, la production de glace sera affectée. Consultez la section Les portes ne se ferment pas complètement ou s'ouvrent toutes seules dans la partie Pièces et caractéristiques de la section Dépannage pour en savoir plus à ce sujet.</li> </ul>
	<p><b>Le réglage de la température du congélateur est trop élevé.</b></p> <ul style="list-style-type: none"> <li>Pour assurer une production normale de glace, la température recommandée du compartiment du congélateur est de 0 °F (-18 °C). Si la température du congélateur est plus élevée, la production de glace sera affectée.</li> </ul>
<b>La machine à glaçons ne produit pas de glace.</b>	<p><b>Le réfrigérateur a été installé récemment ou la machine à glaçons vient d'être branchée.</b></p> <ul style="list-style-type: none"> <li>Jusqu'à 24 heures peuvent être nécessaires pour que chaque compartiment atteigne la température désirée et que la machine à glaçons se mette à fonctionner.</li> </ul>
	<p><b>La machine à glaçons n'est pas en marche.</b></p> <ul style="list-style-type: none"> <li>Vérifiez que la touche Marche/Arrêt de la machine à glaçons est réglée sur Marche.</li> </ul>



Symptômes	Causes possibles et solutions
<b>La machine à glaçons ne produit pas de glace.</b>	<b>Le capteur de glaçons est obstrué.</b> <ul style="list-style-type: none"> <li>La présence de substances étrangères ou de givre sur le capteur de glaçons peut interrompre la production de glaçons. Assurez-vous que la zone du capteur reste toujours propre pour garantir un bon fonctionnement.</li> </ul>
	<b>Le réfrigérateur n'est pas raccordé à une alimentation en eau ou la valve n'est pas ouverte.</b> <ul style="list-style-type: none"> <li>Raccordez le réfrigérateur à l'alimentation en eau et ouvrez complètement la valve.</li> </ul>
	<b>Le dispositif d'arrêt automatique (levier) de la machine à glaçons est obstrué.</b> <ul style="list-style-type: none"> <li>Si votre machine à glaçons est dotée d'un levier d'arrêt automatique, assurez-vous que ce dernier peut être déplacé librement. Si votre machine à glaçons est dotée d'un capteur de contrôle de la production de glace, assurez-vous que l'espace entre les deux capteurs est dégagé.</li> </ul>
	<b>Un système de filtration d'eau par osmose inverse est raccordé à l'alimentation en eau froide.</b> <ul style="list-style-type: none"> <li>Les systèmes de filtration par osmose inverse peuvent réduire la pression de l'eau au-dessous de la valeur minimale et occasionner un dysfonctionnement de la machine à glaçons.</li> </ul>
<b>La glace goûte ou sent mauvais.</b>	<b>L'entrée d'eau contient des minéraux comme du soufre.</b> <ul style="list-style-type: none"> <li>L'installation d'un filtre à eau peut être nécessaire pour éliminer les problèmes de goût et d'odeur. REMARQUE : Dans certains cas, un filtre à eau peut se révéler insuffisant. Il n'est pas toujours possible d'éliminer les minéraux, les goûts ou les odeurs présents dans toutes les sources d'alimentation en eau.</li> </ul>
	<b>La machine à glaçons vient d'être installée.</b> <ul style="list-style-type: none"> <li>Les glaçons qui sont stockés depuis longtemps rapetissent, deviennent troubles ou peuvent avoir mauvais goût. Jetez la vieille glace et fabriquez-en une nouvelle réserve.</li> </ul>
	<b>Les aliments n'ont pas été rangés correctement dans un des compartiments.</b> <ul style="list-style-type: none"> <li>Remballez les aliments. L'odeur des aliments peut se fixer à la glace si ceux-ci ne sont pas emballés correctement.</li> </ul>
	<b>L'intérieur du réfrigérateur doit être nettoyé.</b> <ul style="list-style-type: none"> <li>Veillez consulter la section Entretien pour en savoir plus à ce sujet.</li> </ul>
	<b>Le bac à glace doit être nettoyé.</b> <ul style="list-style-type: none"> <li>Videz et lavez le bac (jetez les vieux glaçons). Assurez-vous que le bac est complètement sec avant de le réinstaller.</li> </ul>
<b>La machine à glaçons produit trop de glace.</b>	<b>Le dispositif d'arrêt automatique (levier et capteur) de la machine à glaçons est obstrué.</b> <ul style="list-style-type: none"> <li>Videz le bac à glaçons. Si votre machine à glaçons est dotée d'un levier d'arrêt automatique, assurez-vous que ce dernier peut être déplacé librement. Si votre machine à glaçons est dotée d'un capteur de contrôle de la production de glace, assurez-vous que l'espace entre les deux capteurs est dégagé. Réinstallez le bac à glaçons et vérifiez le bon fonctionnement de la machine au bout de 24 heures.</li> </ul>

## Pièces et caractéristiques

Symptômes	Causes possibles et solutions
<b>Les portes ne se ferment pas complètement ou s'ouvrent toutes seules.</b>	<b>Des aliments empêchent la fermeture de la porte.</b> <ul style="list-style-type: none"> <li>Rangez les aliments d'une autre façon pour dégager la porte et ses étagères.</li> </ul>

## 44 DÉPANNAGE

Symptômes	Causes possibles et solutions
Les portes ne se ferment pas complètement ou s'ouvrent toutes seules.	<p><b>Le bac à glaçons, le couvercle du bac à légumes et fruits, les bacs, les étagères, les bacs de la porte ou les paniers ne sont pas positionnés correctement.</b></p> <ul style="list-style-type: none"> <li>• Poussez les bacs jusqu'au fond et placez le couvercle du bac à légumes et fruits, les bacs, les étagères et les paniers dans leur position normale. Veuillez consulter la section Fonctionnement pour en savoir plus à ce sujet.</li> </ul>
	<p><b>Les portes ont été enlevées durant l'installation de l'appareil et n'ont pas été correctement remises en place.</b></p> <ul style="list-style-type: none"> <li>• Enlevez et replacez les portes en suivant les instructions d'installation.</li> </ul>
	<p><b>Le réfrigérateur n'est pas d'aplomb.</b></p> <ul style="list-style-type: none"> <li>• Veuillez consulter la section Alignement de la porte dans les instructions d'installation pour mettre à niveau le réfrigérateur.</li> </ul>
Les portes sont difficiles à ouvrir.	<p><b>Les joints sont sales ou collants.</b></p> <ul style="list-style-type: none"> <li>• Nettoyez les joints et leurs surfaces de contact. Frottez un chiffon avec du lustre ou de la cire pour meubles sur les joints après les avoir nettoyés.</li> </ul>
	<p><b>La porte vient d'être refermée.</b></p> <ul style="list-style-type: none"> <li>• Lorsque vous ouvrez la porte, de l'air tiède entre dans le réfrigérateur. À mesure que l'air tiède se refroidit, il peut créer un effet d'aspiration. Si la porte est difficile à ouvrir, veuillez patienter une minute pour permettre à la pression de l'air de s'équilibrer, puis vérifiez que la porte s'ouvre plus facilement.</li> </ul>
Le réfrigérateur vacille ou paraît instable.	<p><b>Le sol n'est pas égal.</b></p> <ul style="list-style-type: none"> <li>• Il peut être nécessaire de placer des cales sous les pieds de nivellement pour terminer l'installation.</li> </ul>
L'éclairage ne fonctionne pas.	<p><b>Les lumières à DEL à l'intérieur ne fonctionnent pas.</b></p> <ul style="list-style-type: none"> <li>• La lampe du compartiment du réfrigérateur est une diode d'éclairage interne, et son entretien doit être réalisé par un professionnel.</li> </ul>
L'intérieur du réfrigérateur est couvert de poussière ou de suie.	<p><b>Le réfrigérateur est placé près d'une flamme ou d'un feu, comme une cheminée, un poêle à bois ou une bougie.</b></p> <ul style="list-style-type: none"> <li>• Assurez-vous que le réfrigérateur n'est pas situé près d'une flamme ou d'un feu, comme une cheminée, un poêle à bois ou une bougie.</li> </ul>

## Bruits

Symptômes	Causes possibles et solutions
Clic	<p><b>La commande du dégivrage cliquette lorsque le cycle de dégivrage automatique se met en marche ou s'arrête. La commande du thermostat (ou la commande du réfrigérateur sur certains modèles) cliquette aussi en début et en fin de cycle.</b></p> <ul style="list-style-type: none"> <li>• Fonctionnement normal</li> </ul>
Cliquetis	<p><b>Des cliquetis peuvent être dus à la circulation du fluide frigorigène, à la conduite d'alimentation en eau à l'arrière de l'appareil, ou aux éléments rangés au-dessus ou autour du réfrigérateur.</b></p> <ul style="list-style-type: none"> <li>• Fonctionnement normal</li> </ul>
	<p><b>Le réfrigérateur n'est pas en position stable sur le sol.</b></p> <ul style="list-style-type: none"> <li>• Le sol flanche ou est inégal, ou les pieds de nivellement doivent être ajustés. Veuillez consulter la section Nivellement et alignement de la porte dans les instructions d'installation.</li> </ul>
	<p><b>Le réfrigérateur avec compresseur linéaire / inverseur a été secoué pendant qu'il fonctionnait.</b></p> <ul style="list-style-type: none"> <li>• Fonctionnement normal</li> </ul>

Symptômes	Causes possibles et solutions
<b>Sifflement</b>	<b>Le moteur du ventilateur de l'évaporateur fait circuler de l'air à travers le compartiment du réfrigérateur.</b> <ul style="list-style-type: none"> <li>Fonctionnement normal</li> </ul>
	<b>Le ventilateur du condenseur souffle de l'air sur le condenseur.</b> <ul style="list-style-type: none"> <li>Fonctionnement normal</li> </ul>
<b>Gargouillement</b>	<b>Le fluide frigorigène circule dans le système de refroidissement.</b> <ul style="list-style-type: none"> <li>Fonctionnement normal</li> </ul>
<b>Pop</b>	<b>Contraction et expansion des parois internes causées par les changements de température.</b> <ul style="list-style-type: none"> <li>Fonctionnement normal</li> </ul>
<b>Grésillement</b>	<b>Eau s'égouttant sur le radiateur de dégivrage lors du cycle de dégivrage.</b> <ul style="list-style-type: none"> <li>Fonctionnement normal</li> </ul>
<b>Vibration</b>	<b>Si le côté ou l'arrière du réfrigérateur touche un meuble ou un mur, certaines des vibrations normales de l'appareil peuvent émettre un son audible.</b> <ul style="list-style-type: none"> <li>Pour supprimer ce bruit, assurez-vous que les côtés et l'arrière du réfrigérateur ne peuvent pas vibrer contre un meuble ou un mur.</li> </ul>
<b>Égouttement</b>	<b>Eau s'écoulant à travers l'égouttoir au cours du cycle de dégivrage.</b> <ul style="list-style-type: none"> <li>Fonctionnement normal</li> </ul>
<b>Pulsations ou son aigu</b>	<b>Votre réfrigérateur est conçu pour fonctionner de manière efficace pour conserver vos aliments à la bonne température. Le compresseur à haute performance peut amener votre nouveau réfrigérateur à fonctionner plus régulièrement, mais il est toujours plus économe en énergie que les anciens modèles. Il est normal d'entendre des pulsations ou un son aigu au cours du fonctionnement de votre réfrigérateur.</b> <ul style="list-style-type: none"> <li>Fonctionnement normal</li> </ul>

## Wi-Fi

Symptômes	Causes possibles et solutions
<b>L'appareil et le téléphone intelligent n'arrivent pas à se connecter au réseau Wi-Fi.</b>	<b>Le mot de passe du réseau Wi-Fi a été saisi de manière incorrecte.</b> <ul style="list-style-type: none"> <li>Supprimez votre réseau Wi-Fi domestique et recommencez le processus de connexion.</li> </ul>
	<b>Les Données mobiles de votre téléphone intelligent sont activées.</b> <ul style="list-style-type: none"> <li>Désactivez les <b>données mobiles</b> de votre téléphone intelligent avant de connecter l'appareil.</li> </ul>
	<b>Le nom du réseau sans fil (SSID) est erroné.</b> <ul style="list-style-type: none"> <li>Le nom du réseau sans fil (SSID) doit être une combinaison de lettres et de chiffres anglais. (N'utilisez pas de caractères spéciaux.)</li> </ul>
	<b>La fréquence du routeur n'est pas de 2,4 GHz.</b> <ul style="list-style-type: none"> <li>Seule une fréquence de routeur de 2,4 GHz est prise en charge. Réglez le routeur sans fil à 2,4 GHz et connectez-y l'appareil. Pour connaître la fréquence du routeur, informez-vous auprès de votre fournisseur de services Internet ou du fabricant du routeur.</li> </ul>
	<b>L'appareil et le routeur sont trop éloignés l'un de l'autre.</b> <ul style="list-style-type: none"> <li>Si la distance entre l'appareil et le routeur est trop grande, le signal peut être faible et la connexion peut ne pas être configurée correctement. Déplacez le routeur afin qu'il soit plus près de l'appareil ou achetez et installez un répéteur Wi-Fi.</li> </ul>

## 46 DÉPANNAGE

Symptômes	Causes possibles et solutions
<b>L'appareil et le téléphone intelligent n'arrivent pas à se connecter au réseau Wi-Fi.</b>	<b>Pendant la configuration du Wi-Fi, l'application demande un mot de passe pour se connecter au produit (sur certains téléphones).</b> <ul style="list-style-type: none"><li>Localisez le nom du réseau qui commence par « LG » sous Paramètres &gt; Réseaux. Notez la dernière partie du nom du réseau.<ul style="list-style-type: none"><li>Si le nom du réseau ressemble à LGE_Appliance_XX-XX-XX, saisissez lge12345.</li><li>Si le nom du réseau ressemble à LGE_Appliance_XXXX, saisissez XXXX deux fois à titre de mot de passe. Par exemple, si le nom du réseau est LGE_Appliance_8b92, vous devez saisir 8b928b92 à titre de mot de passe. Dans ce cas, le mot de passe est sensible à la casse et les quatre derniers caractères sont uniques à votre appareil.</li></ul></li></ul>

# GARANTIE LIMITÉE

## Canada

### CONDITIONS

Si votre réfrigérateur **SIGNATURE KITCHEN SUITE** (« produit ») est tombé en panne en raison d'un défaut de matériaux ou de fabrication dans le cadre d'une utilisation normale et appropriée, pendant la période de garantie indiquée ci-dessous, **SIGNATURE KITCHEN SUITE**, à son gré, réparera, remplacera ou remboursera au prorata le produit après réception de la preuve d'achat originale. Cette garantie limitée n'est valable que pour l'acheteur original du produit et s'applique uniquement à un produit distribué, acheté auprès d'un détaillant autorisé et utilisé au Canada, tel que déterminé à la seule discrétion de **SIGNATURE KITCHEN SUITE**.

PÉRIODE DE GARANTIE			
Réfrigérateur	Système scellé (condensateur, sécheuse, tuyau de raccordement et évaporateur)		Compresseur linéaire/ à inversion
Trois (3) ans après la date d'achat original de l'appareil.	Trois (3) ans après la date d'achat original de l'appareil.	Sept (7) ans après la date d'achat original de l'appareil.	Dix (10) ans après la date d'achat original de l'appareil.
Pièces et main-d'oeuvre (pièces internes et fonctionnelles uniquement)	Pièces et main-d'oeuvre	Pièces uniquement (la main-d'oeuvre sera facturée au client)	Pièces uniquement (la main-d'oeuvre sera facturée au client)

- Les produits et les pièces de remplacement sont garantis pour la portion restante de la période de garantie d'origine ou durant quatre-vingt-dix (90) jours, selon la période la plus longue.
- Les produits et pièces de rechange peuvent être neufs, reconditionnés, remis à neuf ou autrement fabriqués en usine, tous à la seule discrétion de «**SIGNATURE KITCHEN SUITE**».
- Une preuve de l'achat original indiquant le modèle du produit et la date d'achat est exigée pour obtenir le service de garantie en vertu de cette garantie limitée.

**LA RESPONSABILITÉ DE SIGNATURE KITCHEN SUITE EST LIMITÉE À LA GARANTIE LIMITÉE EXPRIMÉE CI-DESSUS, À MOINS QU'UNE TELLE LIMITATION SOIT INTERDITE PAR LES LOIS DE VOTRE PROVINCE DE RÉSIDENCE. SAUF SELON LES MODALITÉS EXPRESSÉMENT PRÉVUES CI-DESSUS, OU SI LA LOI DE LA PROVINCE DE RÉSIDENCE L'INTERDIT, SIGNATURE KITCHEN SUITE NE DONNE AUCUNE AUTRE GARANTIE OU CONDITION CONCERNANT LE PRODUIT, ET PAR LA PRÉSENTE EXCLUT TOUTE AUTRE GARANTIE ET CONDITION CONCERNANT LE PRODUIT, QU'ELLE SOIT EXPRESSE OU IMPLICITE, Y COMPRIS, MAIS SANS S'Y LIMITER, TOUTE GARANTIE OU CONDITION IMPLICITE DE QUALITÉ MARCHANDE OU D'ADAPTATION À UN USAGE PARTICULIER, ET AUCUNE DÉCLARATION NE POURRA LIER SIGNATURE KITCHEN SUITE. SIGNATURE KITCHEN SUITE N'AUTORISE AUCUNE PERSONNE À CRÉER OU À ASSUMER EN SON NOM TOUTE AUTRE GARANTIE, OBLIGATION OU RESPONSABILITÉ EN RAPPORT AVEC LE PRODUIT. DANS LA MESURE OÙ TOUTE GARANTIE OU CONDITION EST IMPLICITE PAR LA LOI, CETTE GARANTIE EST LIMITÉE À LA PÉRIODE DE GARANTIE PRÉVUE CI-DESSUS. EN AUCUN CAS SIGNATURE KITCHEN SUITE, LE FABRICANT OU LE DÉTAILLANT DU PRODUIT NE SONT RESPONSABLES DES DOMMAGES ACCESSOIRES, CONSÉCUTIFS, SPÉCIAUX, DIRECTS OU INDIRECTS, PUNITIFS OU EXEMPLAIRES, Y COMPRIS, MAIS SANS S'Y LIMITER, LA PERTE DE CLIENTÈLE, LA PERTE DE PROFITS, LA PERTE DE PROFITS ANTICIPÉS, LA PERTE DE REVENUS, LA PERTE D'UTILISATION OU TOUT AUTRE DOMMAGE DÉCOULANT DIRECTEMENT OU INDIRECTEMENT DE TOUTE INFRACTION CONTRACTUELLE, VIOLATION FONDAMENTALE, DÉLICTEUELLE OU AUTRE, OU DE TOUT ACTE OU OMISSION. LA RESPONSABILITÉ TOTALE DE SIGNATURE KITCHEN SUITE, LE CAS ÉCHÉANT, NE POURRA EN AUCUN CAS EXCÉDER LA SOMME QUE VOUS AVEZ PAYÉE POUR ACQUÉRIR LE PRODUIT.**

Cette garantie limitée vous confère des droits légaux spécifiques. Vous pouvez peut-être jouir d'autres droits qui peuvent varier en fonction de la province et des lois qui y sont appliquées. Toute clause de cette garantie limitée qui annule ou modifie toute condition ou garantie implicite en vertu de la loi provinciale

## 48 GARANTIE LIMITÉE

est dissociable si elle entre en conflit avec la loi provinciale, sans toutefois affecter le reste des conditions de cette garantie.

### LA PRÉSENTE GARANTIE LIMITÉE NE COUVRE PAS CE QUI SUIT :

- Tout déplacement du technicien pour : i) livrer, reprendre, installer ou; éduquer comment utiliser le Produit; ii) corriger le câblage ou plomberie; ou iii) rectifier toute réparation ou installation non-autorisée du Produit;
- Dommage ou panne du Produit à performer lors de panne de courant et service électrique inadéquat ou interrompu;
- Dommage ou panne en raison de tuyaux d'eau brisés ou dont l'eau fuit, conduite d'eau gelée, conduite de récupération obstruée, approvisionnement d'eau inadéquat ou interrompu ou ravitaillement d'air inadéquat;
- Dommage ou panne résultant de l'utilisation du Produit dans un environnement corrosif ou contraire aux instructions détaillées dans le manuel d'utilisation du Produit;
- Dommage ou panne du Produit en raison d'accidents, ravageurs et parasites, foudre, vent, feu, inondations, actes de Dieu ou toute autre raison hors du contrôle de **SIGNATURE KITCHEN SUITE** ou du fabricant;
- Dommage ou panne résultant d'utilisation inappropriée ou abusive ou d'installation, réparation ou entretien imparfait du Produit. Réparation imparfaite inclut l'utilisation de pièces non autorisées ou spécifiées par **SIGNATURE KITCHEN SUITE**. Installation ou entretien imparfait inclut toute installation ou entretien contraire aux instructions détaillées au manuel d'utilisation du Produit;
- Dommage ou panne en raison de modification ou altération non autorisée du Produit, ou si utilisé pour fins autres que celle d'appareil ménager domestique, ou dommage ou panne résultant de toute fuite d'eau due à une mauvaise installation du produit;
- Dommage ou panne en raison de courant électrique, tension ou codes de plomberie incorrects;
- Dommage ou panne en raison d'utilisation autre que celle d'appareil ménager domestique normale, incluant, sans limite, l'utilisation commerciale ou industrielle, incluant l'utilisation au bureau commercial ou centre récréatif, ou détaillée autrement au manuel d'utilisation du Produit;
- Dommage ou panne en raison d'utilisation de tout accessoire, composant ou produit nettoyant, incluant, sans limite, filtres à eau non autorisés par **SIGNATURE KITCHEN SUITE**;
- Remplacement de la cartouche du filtre à eau en raison de la pression d'eau située en dehors de la plage de fonctionnement spécifiée ou sédiments excessifs dans l'approvisionnement d'eau;
- Dommage ou panne provoqué par le transport et la manipulation, y compris rayures, bosses, écaillage et/ou autre endommagement à la finition du Produit, à moins qu'un tel dommage résulte d'une fabrication ou de matériaux défectueux et qu'il soit signalé à **SIGNATURE KITCHEN SUITE** dans un délai d'une (1) semaine suivant la livraison du Produit;
- Dommage or articles absents de tout Produit démonstrateur, boîte ouverte, réusiné ou escompté;
- Produit réusiné ou tout Produit vendu "Tel quel", "Où est", "Avec tous défauts", ou toute mise en garde similaire;
- Les produits dont le numéro de série original a été retiré, modifié ou ne peut être facilement déterminé à la discrétion de **SIGNATURE KITCHEN SUITE**;
- Augmentation de la facture d'électricité et dépenses additionnelles d'utilité de quelque manière associée au Produit;
- Tout bruit associé au fonctionnement normal du Produit;
- Remplacement des ampoules, filtres, fusibles ou tout autre élément consommable;
- Remplacement de toute pièce n'étant pas originalement incluse avec le Produit;
- Coûts associés au retrait et/ou réinstallation du Produit pour fins de réparation; et
- Les tablettes, les étagères, les bacs de la porte, les tiroirs, les poignées et les accessoires du produit, à l'exception des pièces internes/fonctionnelles couvertes par la présente garantie limitée.

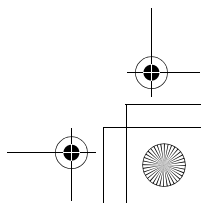
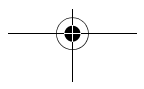
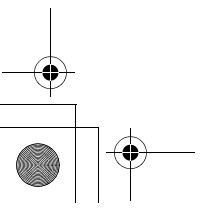
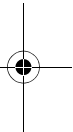
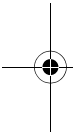
**Tous coûts et dépenses associés aux circonstances d'exclusion ci-dessus, énumérés sous la rubrique « La présente garantie limitée ne couvre pas ce qui suit », sont à la charge du consommateur.**

AFIN D'OBTENIR SOUTIEN DE GARANTIE ET INFORMATIONS SUPPLÉMENTAIRES VEUILLEZ NOUS APPELER OU VISITER NOTRE SITE WEB :

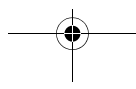
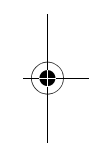
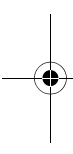
- Composez le 1 888-289-2802 et sélectionnez l'option appropriée dans le menu.
- Visitez notre site Web au <http://www.signaturekitchensuite.com>.
- Par courrier : 20, Norelco Drive, North York, ON, M9L 2X6

**50 AIDE-MÉMOIRE**

---

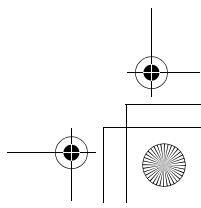
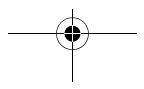
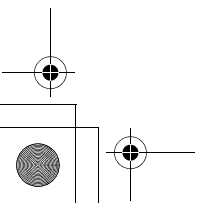
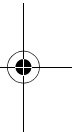
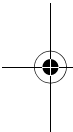


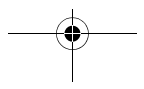
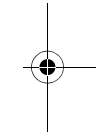
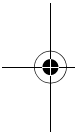




**52 AIDE-MÉMOIRE**

---







### Customer Information Center

For inquiries or comments, call;

1-855-790-6655 USA, Consumer User

1-888-289-2802 CANADA, Consumer User

### Centro de Información al Cliente

Para consultas o comentarios, llame por teléfono:

1-855-790-6655 EE.UU., Usuario Consumidor

1-888-289-2802 CANADÁ, Usuario Consumidor

### Centre de Service à la Clientèle

Pour des questions ou des commentaires, appelez :

1-855-790-6655 ÉTATS-UNIS, Consommateur

1-888-289-2802 CANADA, Consommateur